

ADE-1F2 A - for non-armoured cable

Hazardous area cable glands



Suitable for the following cable types:

- Non-armoured cable
- Marine shipboard cable; Type P cable
- Tray cable: TC

Integral clamping module provides 100% of cable clamping.

Certifications and compliances

• ATEX No. INERIS 12ATEX0032X

Zones 1 and 2, Groups I, IIA, IIB and IIC
Zones 21 and 22, Groups IIIA, IIIB and IIIC

⊕ II2GD / Ex db IIC / Ex eb IIC / Ex tb IIIC

⊕ II3G Ex nRc IIC

⊕ IM2 / Ex db I / Ex eb I ; for mining applications

Brass or bronze size 8 to 17; NPT 1" to 4", ISO 32 to 110

Stainless steel size 4 to 17; NPT 3/8" to 4", ISO 16 to 110

• IECEx No. IECEx INE 12.0025X

Zones 1 and 2, Groups I, IIA, IIB and IIC
Zones 21 and 22, Groups IIIA, IIIB and IIIC

Ex db IIC / Ex eb IIC / Ex nRc IIC / Ex tb IIIC

Ex db I / Ex eb I ; for mining applications

Brass or bronze size 8 to 17; NPT 1" to 4", ISO 32 to 110

Stainless steel size 8 to 17; NPT 1" to 4", ISO 32 to 110

• UL: 3DJN E310130 Class I Zone 1*, AEx e II

⊕ ADE size 3 to 8, NPT 1/2" to 1 1/4" or ISO 20 to 40 with non-armoured cable
TC-ER-HL up to 1" diameter

• UL: 3DJN E310130 Class I Zone 2*, AEx e II, Ex e II

⊕ ADE size 3 to 17, NPT 1/2" to 4" or ISO 20 to 110 with non-armoured cable
ITC, MV, PLTC, TC-ER, TC-ER-HL, TC

• UL: 3LRC E314047 Class I Zone 2*, AEx e II, Ex e II

⊕ ADE size 3 to 17, NPT 1/2" to 4" or ISO 20 to 110 with non-armoured marine cable

*Can be used in Div.2 provided that the enclosure contains no components that produce arcs or sparks.



Other certificates:

CEPEL 05.0558X

CCoE P360379-1

KOSHA 2015-BO-0249 to 0256

NANIO TC-RU C-FR.Γ505.B.00858

NEPSI GYJ13.1082X

SABS MS/15-0314X

Shipping applications:

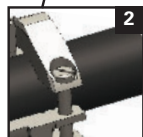
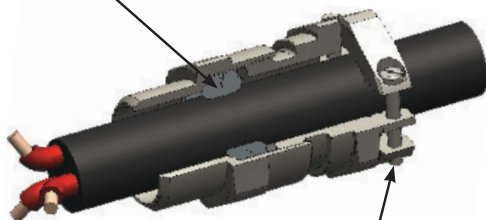
ABS 14-HS1274083-PDA

BV 40910/A0 BV

DNV TAE000010X

Lloyds 11/00072

DTS-01:1991



Technical specification

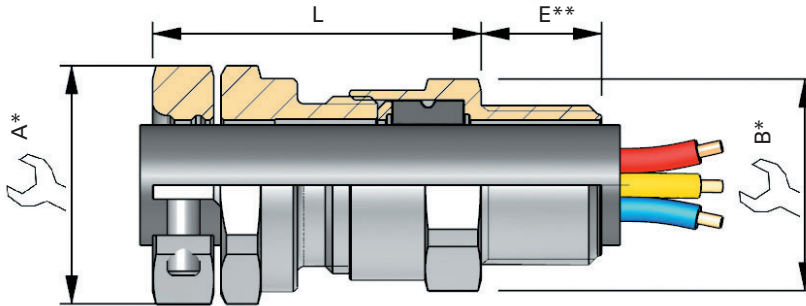
- Nickel-plated brass for superior corrosion resistance. 316L stainless steel, bronze and aluminum options available. It is recommended that a suitable lubricant is used on all threads of stainless steel and aluminum versions.
- Temperature range: -60 °C to +140 °C
- IP66 / IP68 according to the method of attachment and the condition of the equipment area, see page 2.5

Features and benefits

- 1: Specifically formulated elastomer for IP sealing on outer sheath of cable.
- 2: Integrated external cable clamping for strain relief.

ADE-1F2 A - for non-armoured cable

Hazardous area cable glands



* For 'across corners' dimensions, multiply 'across flats' dimensions by 1.1

**For 'E' see thread dimension page 5.18

SERIES	THREAD SIZE	CABLE SEALING RANGE	MATERIAL	OPTION
ADE1A	M25	3	NPN	

- 0 = XS
- 1 = S
- 2 = M
- 3 = L

CODES	
K1	Accessories kit 1
K2	Accessories kit 2
K3	Accessories kit 3
BLANK	No option

NPN	Nickel-plated brass
SSN	Stainless steel
BZN	Bronze
ALN	Aluminum (not Group I)

KIT OPTIONS	
K1	Kit 1 contents:
	<ul style="list-style-type: none"> • Locknut • Green composite washer
	Kit 2 contents:
K2	<ul style="list-style-type: none"> • Locknut • Green composite washer • Earth tag • Shroud
	Kit 3 contents:
	<ul style="list-style-type: none"> • Locknut • Green composite washer • Earth tag • Serrated washer
K3	

Ordering codes

SERIES	THREAD SIZE (ISO)	THREAD SIZE CODE (ISO)	THREAD SIZE (NPT)	THREAD SIZE CODE (NPT)	CABLE SEALING RANGE	CABLE SEALING RANGE ISO (NPT)			ADE GLAND SIZE	CATALOG NUMBER (ISO)	CATALOG NUMBER (NPT)
						OUTER SHEATH MIN - MAX	A	B			
ADE1A	16*	M16	-	-	2	4.5 - 8.5	20	19	32.0	4	ADE1AM162NPN -
ADE1A	16*	M16	-	-	3	7.0 - 12.0	24	19	35.0	5	ADE1AM163NPN -
ADE1A	20	M20	1/2"	N050	0	2.8 - 5.5	15	24	28.0	3	ADE1AM200NPN ADE1AN0500NPN
ADE1A	20	M20	1/2"	N050	1	4.5 - 8.5	20	24	32.0	4	ADE1AM201NPN ADE1AN0501NPN
ADE1A	20	M20	1/2"	N050	2	7.0 - 12.0	24	24	35.0	5	ADE1AM202NPN ADE1AN0502NPN
ADE1A	20	M20	1/2"	N050	3	10.0 - (16.0) 15.5	27	24	40.0	6	ADE1AM203NPN ADE1AN0503NPN
ADE1A	25	M25	3/4"	N075	1	7.0 - 12.0	24	30	40.0	5	ADE1AM251NPN ADE1AN0751NPN
ADE1A	25	M25	3/4"	N075	2	10.0 - 16.0	27	30	40.0	6	ADE1AM252NPN ADE1AN0752NPN
ADE1A	25	M25	3/4"	N075	3	13.5 - 20.5	32	30	45.0	7	ADE1AM253NPN ADE1AN0753NPN
ADE1A	32	M32	1"	N100	3	18.0 - 27.5 (26.0)	41	41	55.0	8	ADE1AM323NPN ADE1AN1003NPN
ADE1A	40	M40	-	-	3	23.0 - 34.0	48	48	59.0	9	ADE1AM403NPN -

* Not UL certified. Above catalog numbers are for nickel-plated brass; refer to order code diagram for other options.