

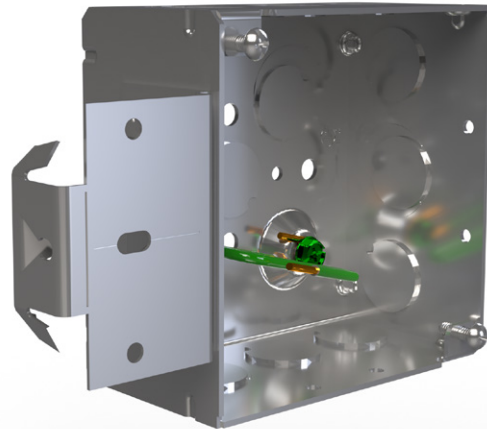
4" square boxes for stud mount applications

Overview:

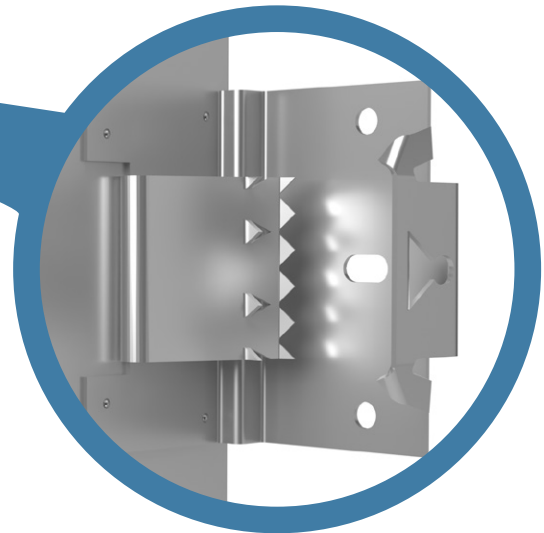
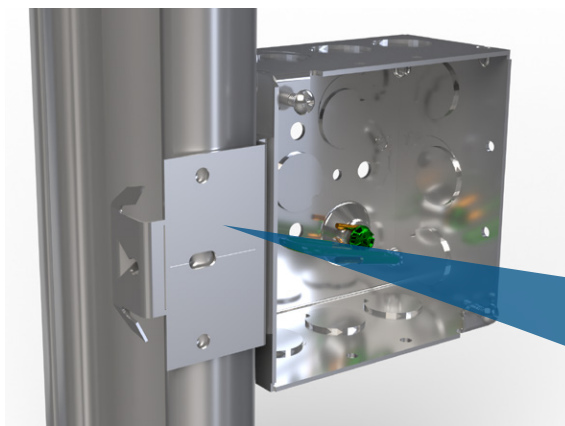
Eaton's Crouse-Hinds 4" square boxes configured for use in stud mount applications.

Features:

- 4" square, 2-1/8" deep, 30.3 cubic inch capacity
- Hands-free bracket allows for easy mounting and installation on either side of the stud
- Available with single stud brackets
- Backside or far side support accessories must be purchased separately
- UL Listed

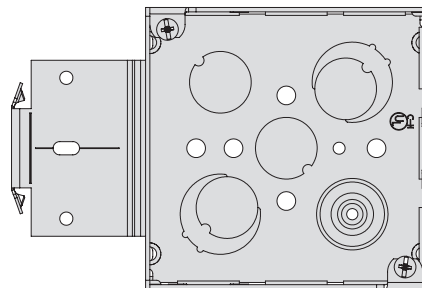


Hands-free bracket grips the stud

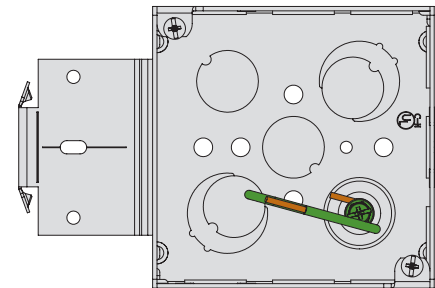


Model number	Description	Grounding method	Carton QTY
TP4MSB	4" box, welded, single hands-free bracket	Ground bump	25
TP4MSBPF	4" box, welded, single hands-free bracket	Solid #12 ground wire	25

	Sides	Bottom
Knockouts	(6) 1/2", (3) 1/2 & 3/4" E	(2) 1/2", (2) 1/2 & 3/4" E



TP4MSB

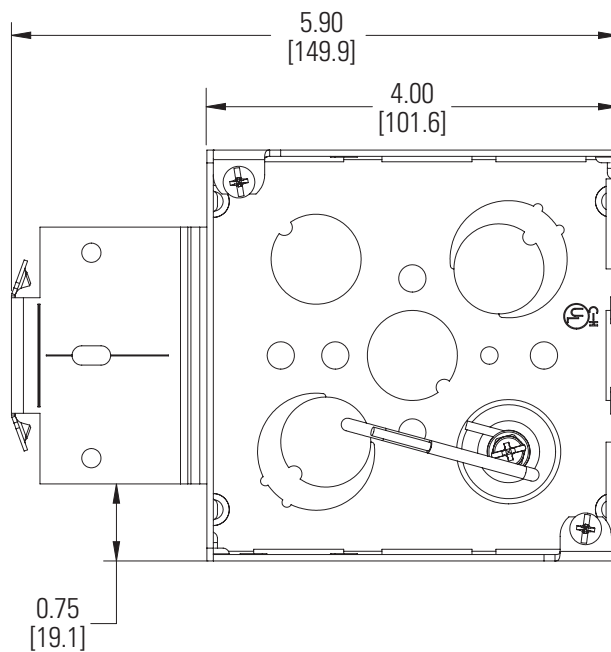


TP4MSBPF



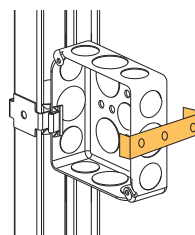
Powering Business Worldwide

Dimensions



Backside or far side support accessories (ordered separately)

Model number	UPC	Description	Carton QTY
BF1-40	78101118320	Box stabilizer for 2-½" studs	100
BF1-56	78101118325	Box stabilizer for 3-½" studs	100
BF1-64	78101118330	Box stabilizer for 4" studs	100
BF1-96	78101118335	Box stabilizer for 6" studs	100



Eaton
1000 Eaton Boulevard
Cleveland, OH 44122
United States
Eaton.com

Eaton's Crouse-Hinds
1201 Wolf Street
Syracuse, NY 13208
Crouse-Hinds.com

© 2021 Eaton
All Rights Reserved
Printed in USA
Publication No. 5497-0921
September 2021

Eaton is a registered trademark.

All other trademarks are property of their respective owners.