

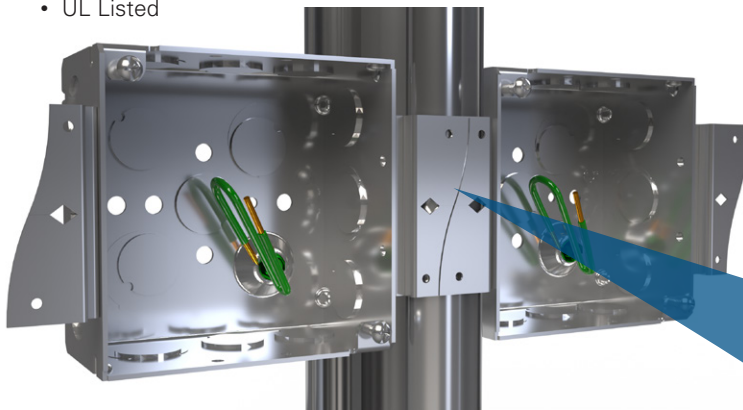
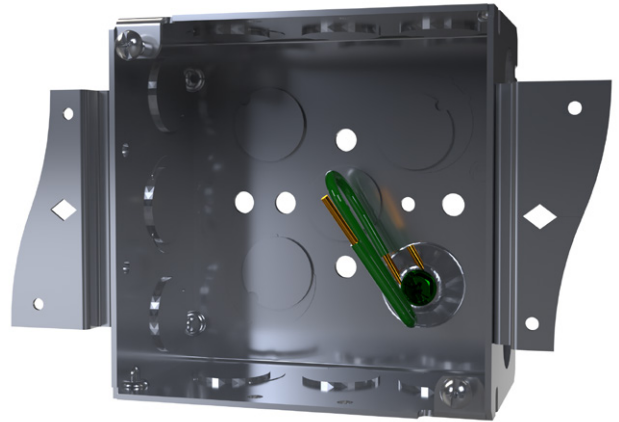
4" square boxes for stud mount applications

Overview:

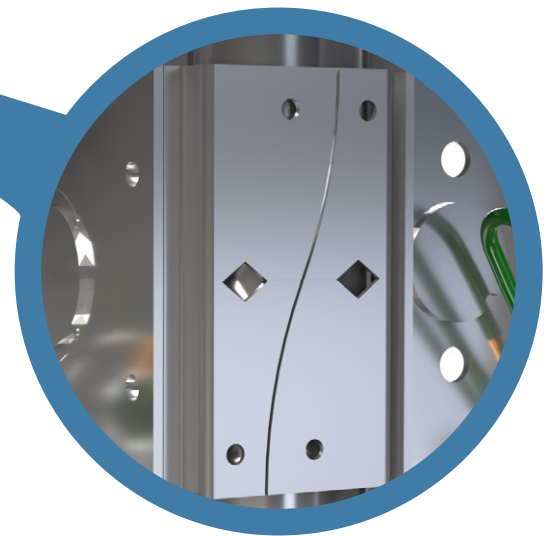
Eaton's Crouse-Hinds 4" square boxes configured for use in stud mount applications.

Features:

- 4" square, 2-1/8" deep, 30.3 cubic inch capacity
- S-curve bracket allows for mounting on either or both sides of the stud
- Available with single or double stud brackets
- Backside or far side support accessories must be purchased separately
- UL Listed

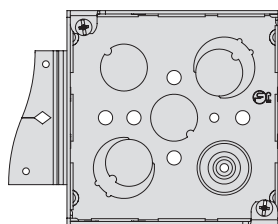


S-curve brackets for easy mounting of boxes to both sides of stud

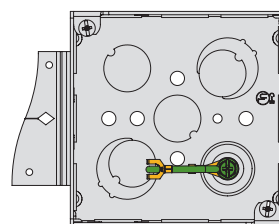


Model number	Description	Grounding method	Carton QTY
TP4H	4" box, welded, single S bracket	Ground bump	25
TP4HPA	4" box, welded, single S bracket	Stranded #12 ground wire with fork terminal	25
TP4HPF	4" box, welded, single S bracket	Solid #12 ground wire	25
TP4MPF	4" box, welded, double S bracket	Solid #12 ground wire	25

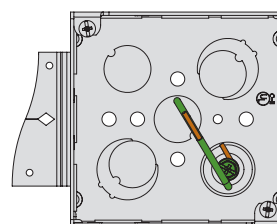
	Sides	Bottom
Knockouts	(8) 1/2", (4) 1/2" & 3/4" E	(2) 1/2", (2) 1/2" & 3/4" E



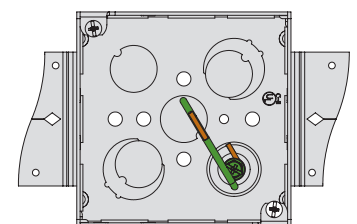
TP4H



TP4HPA



TP4HPF

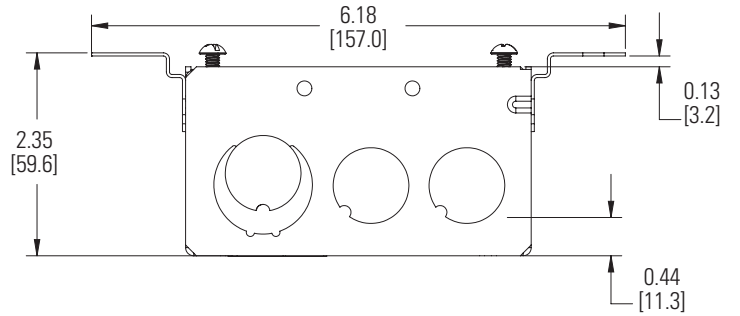
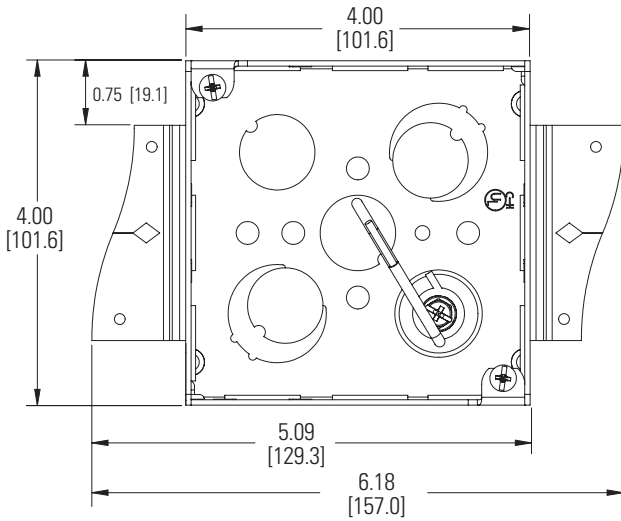


TP4MPF



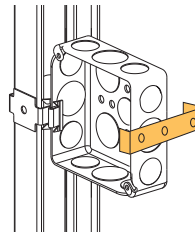
Powering Business Worldwide

Dimensions



Backside or far side support accessories (ordered separately)

Model number	UPC	Description	Carton QTY
BF1-40	78101118320	Box stabilizer for 2-½" studs	100
BF1-56	78101118325	Box stabilizer for 3-½" studs	100
BF1-64	78101118330	Box stabilizer for 4" studs	100
BF1-96	78101118335	Box stabilizer for 6" studs	100



Eaton
 1000 Eaton Boulevard
 Cleveland, OH 44122
 United States
 Eaton.com

Eaton's Crouse-Hinds
 1201 Wolf Street
 Syracuse, NY 13208
 Crouse-Hinds.com

© 2021 Eaton
 All Rights Reserved
 Printed in USA
 Publication No. 5497-0921
 September 2021

Eaton is a registered trademark.
 All other trademarks are property
 of their respective owners.