

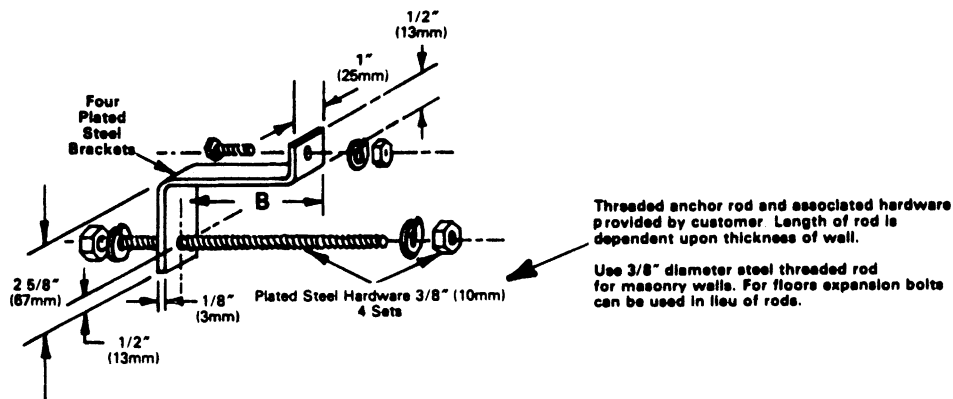


TW SERIES THRU-WALL BARRIER™ CABLE/CONDUIT SEALING DEVICE TWK ANCHOR KITS

Installation Instructions
IF-864 4/82

The Crouse-Hinds Company TWK Anchor Kits are used to secure mounting frames into openings in masonry walls or floors. This provides positive positioning of the frames for grouting.

Attach all four brackets provided to the TWK Frame with the hardware enclosed.



DETAIL "A" OF TWK KIT

Cat. No.	For	"B"
TWK-1	Flush (Use for floor mounting)	2-3/8" (60mm)
TWK-2	Recessed	3-7/8" (98mm)

All statements, technical information and recommendations contained herein are based on information and tests we believe to be reliable. The accuracy or completeness thereof are not guaranteed. In accordance with Crouse-Hinds "Terms and Conditions of Sale", and since conditions of use are outside our control, the purchaser should determine the suitability of the product for his intended use and assumes all risk and liability whatsoever in connection herewith.

This instruction sheet should be retained for future use in maintenance.

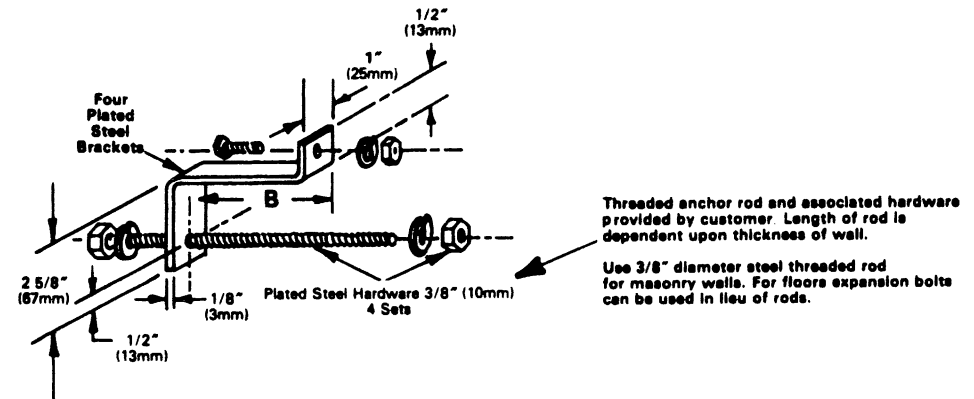


TW SERIES THRU-WALL BARRIER™ CABLE/CONDUIT SEALING DEVICE TWK ANCHOR KITS

Installation Instructions
IF-864 4/82

The Crouse-Hinds Company TWK Anchor Kits are used to secure mounting frames into openings in masonry walls or floors. This provides positive positioning of the frames for grouting.

Attach all four brackets provided to the TWK Frame with the hardware enclosed.



DETAIL "A" OF TWK KIT

Cat. No.	For	"B"
TWK-1	Flush (Use for floor mounting)	2-3/8" (60mm)
TWK-2	Recessed	3-7/8" (98mm)

All statements, technical information and recommendations contained herein are based on information and tests we believe to be reliable. The accuracy or completeness thereof are not guaranteed. In accordance with Crouse-Hinds "Terms and Conditions of Sale", and since conditions of use are outside our control, the purchaser should determine the suitability of the product for his intended use and assumes all risk and liability whatsoever in connection herewith.

This instruction sheet should be retained for future use in maintenance.