



## LCC Cable Tray Conduit Clamps

Installation & Maintenance Information

IF 596

SAVE THESE INSTRUCTIONS FOR FUTURE REFERENCE

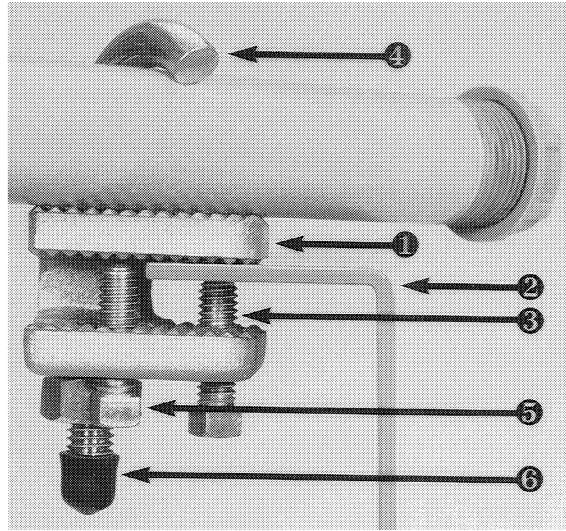
These cable tray conduit clamps are used to securely clamp conduit to the cable tray side rails. The clamps are suitable for use with EMT, IMC and rigid conduit. The conduit may be clamped at any desired angle.

The LCC clamps are UL Classified as grounding and bonding fittings that insure grounding continuity of the tray/conduit assembly.

### HOW TO INSTALL

1. Locate clamp **1** on the tray flange **2** in the desired position and securely tighten set screw(s) **3**
2. After loosening nut **5** slide conduit under hook **4**, setting it to the desired angle, and securely tighten nut **5**

NOTE: For inside flanged trays the vinyl cap **6** is used on the threaded end of the hook **5** to protect cables from abrasion by the threads



## LCC Cable Tray Conduit Clamps

Installation & Maintenance Information

IF 596

SAVE THESE INSTRUCTIONS FOR FUTURE REFERENCE

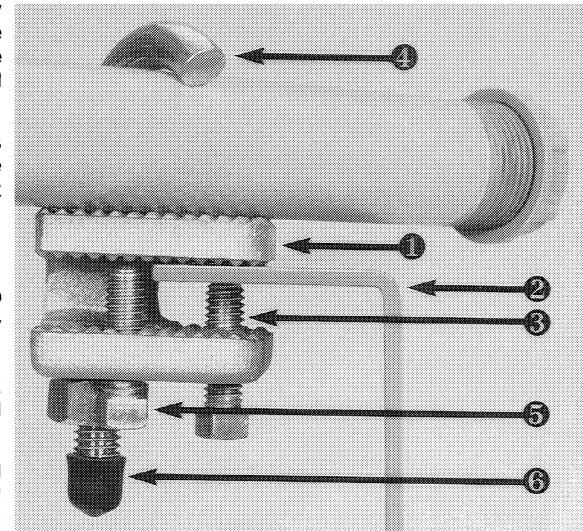
These cable tray conduit clamps are used to securely clamp conduit to the cable tray side rails. The clamps are suitable for use with EMT, IMC and rigid conduit. The conduit may be clamped at any desired angle.

The LCC clamps are UL Classified as grounding and bonding fittings that insure grounding continuity of the tray/conduit assembly.

### HOW TO INSTALL

1. Locate clamp **1** on the tray flange **2** in the desired position and securely tighten set screw(s) **3**
2. After loosening nut **5** slide conduit under hook **4**, setting it to the desired angle, and securely tighten nut **5**

NOTE: For inside flanged trays the vinyl cap **6** is used on the threaded end of the hook **5** to protect cables from abrasion by the threads



## LCC Cable Tray Conduit Clamps

Installation & Maintenance Information

IF 596

SAVE THESE INSTRUCTIONS FOR FUTURE REFERENCE

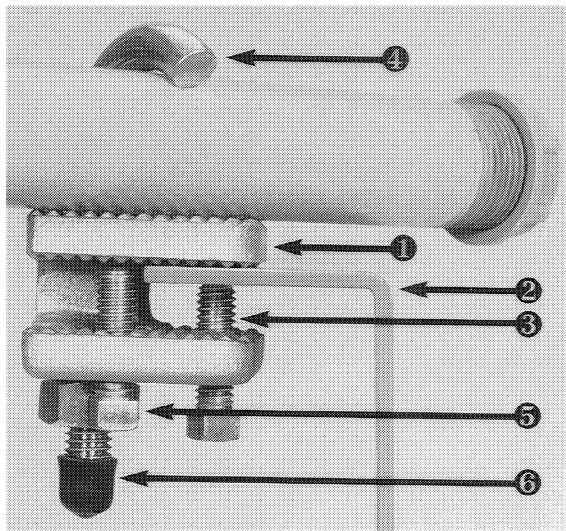
These cable tray conduit clamps are used to securely clamp conduit to the cable tray side rails. The clamps are suitable for use with EMT, IMC and rigid conduit. The conduit may be clamped at any desired angle.

The LCC clamps are UL Classified as grounding and bonding fittings that insure grounding continuity of the tray/conduit assembly.

### HOW TO INSTALL

1. Locate clamp **1** on the tray flange **2** in the desired position and securely tighten set screw(s) **3**
2. After loosening nut **5** slide conduit under hook **4**, setting it to the desired angle, and securely tighten nut **5**

NOTE: For inside flanged trays the vinyl cap **6** is used on the threaded end of the hook **5** to protect cables from abrasion by the threads



## LCC Cable Tray Conduit Clamps

Installation & Maintenance Information

IF 596

SAVE THESE INSTRUCTIONS FOR FUTURE REFERENCE

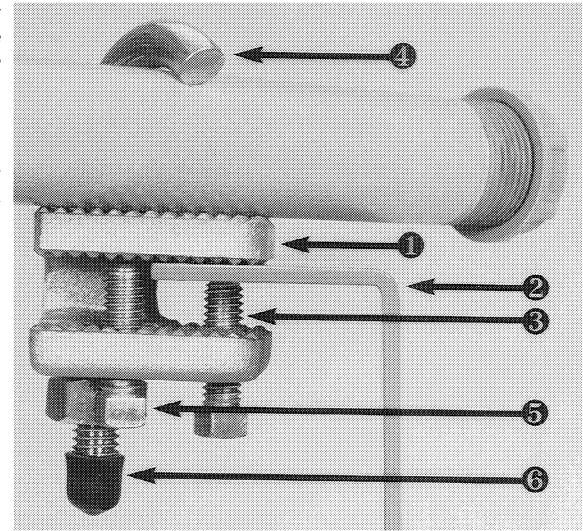
These cable tray conduit clamps are used to securely clamp conduit to the cable tray side rails. The clamps are suitable for use with EMT, IMC and rigid conduit. The conduit may be clamped at any desired angle.

The LCC clamps are UL Classified as grounding and bonding fittings that insure grounding continuity of the tray/conduit assembly.

### HOW TO INSTALL

1. Locate clamp **1** on the tray flange **2** in the desired position and securely tighten set screw(s) **3**
2. After loosening nut **5** slide conduit under hook **4**, setting it to the desired angle, and securely tighten nut **5**

NOTE: For inside flanged trays the vinyl cap **6** is used on the threaded end of the hook **5** to protect cables from abrasion by the threads



---

*All statements, technical information and recommendations contained herein are based on information and tests we believe to be reliable. The accuracy or completeness thereof are not guaranteed. In accordance with Crouse-Hinds "Terms and Conditions of Sale", and since conditions of use are outside our control, the purchaser should determine the suitability of the product for his intended use and assumes all risk and liability whatsoever in connection therewith.*

---



Cooper Industries Inc., Crouse-Hinds Division  
PO Box 4999  
Syracuse, New York 13221 • U.S.A.  
Copyright© 1997, Cooper Industries, Inc.

IF 596  
Revised 7/89  
Supersedes 12/76

---

*All statements, technical information and recommendations contained herein are based on information and tests we believe to be reliable. The accuracy or completeness thereof are not guaranteed. In accordance with Crouse-Hinds "Terms and Conditions of Sale", and since conditions of use are outside our control, the purchaser should determine the suitability of the product for his intended use and assumes all risk and liability whatsoever in connection therewith.*

---



Cooper Industries Inc., Crouse-Hinds Division  
PO Box 4999  
Syracuse, New York 13221 • U.S.A.  
Copyright© 1997, Cooper Industries, Inc.

IF 596  
Revised 7/89  
Supersedes 12/76

---

*All statements, technical information and recommendations contained herein are based on information and tests we believe to be reliable. The accuracy or completeness thereof are not guaranteed. In accordance with Crouse-Hinds "Terms and Conditions of Sale", and since conditions of use are outside our control, the purchaser should determine the suitability of the product for his intended use and assumes all risk and liability whatsoever in connection therewith.*

---



Cooper Industries Inc., Crouse-Hinds Division  
PO Box 4999  
Syracuse, New York 13221 • U.S.A.  
Copyright© 1997, Cooper Industries, Inc.

IF 596  
Revised 7/89  
Supersedes 12/76

---

*All statements, technical information and recommendations contained herein are based on information and tests we believe to be reliable. The accuracy or completeness thereof are not guaranteed. In accordance with Crouse-Hinds "Terms and Conditions of Sale", and since conditions of use are outside our control, the purchaser should determine the suitability of the product for his intended use and assumes all risk and liability whatsoever in connection therewith.*

---



Cooper Industries Inc., Crouse-Hinds Division  
PO Box 4999  
Syracuse, New York 13221 • U.S.A.  
Copyright© 1997, Cooper Industries, Inc.

IF 596  
Revised 7/89  
Supersedes 12/76