

## POWER HOOK—FHF AND FHM SERIES HOOK MOUNTING SUPPORT FOR 277V&480V LIGHTING FIXTURES

The "Power Hook" assembly can be mounted on any overhead surface that does not exceed an angle greater than 30° off horizontal (see Figure 1). It provides a means for supplying power to the fixture suspended from the hook. The design of the assembly prevents removal of the fixture with power on.

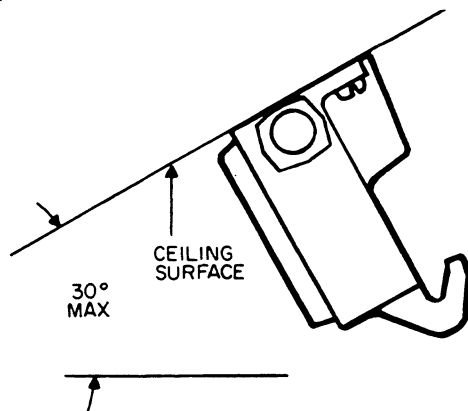


Figure 1.

### WARNING

The FHM receptacle is rated at 480V A. C., 10 Amps. The FHF receptacle is rated at 277V A. C., 15 Amps. Both fixture and line voltages **MUST** be checked before applying power to the circuit.

### INSTALLATION

#### WARNING

Be certain no power is present in supply lines before starting any installation.

1. Mount the receptacle housing of the power hook assembly. For attachment to the ceiling, use the mounting lugs adjacent to the two through-feed hubs. (See Figure 2.) For pendant mounting use conduit and bushing. (See Figure 3.) Plug unused hubs with pipe plugs provided.

#### CAUTION

Although the hook on the receptacle housing and the loop on the wire loop housing are more than satisfactory for accidental or inadvertent torque, they must not be used as a wrench or vise to seat conduit or nipples.

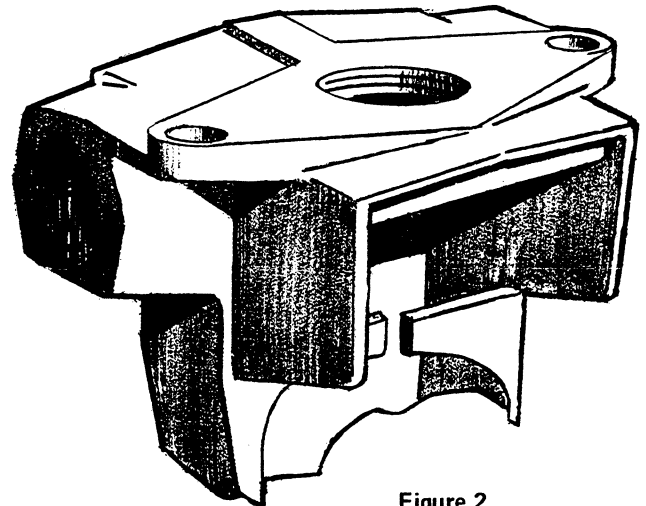


Figure 2.

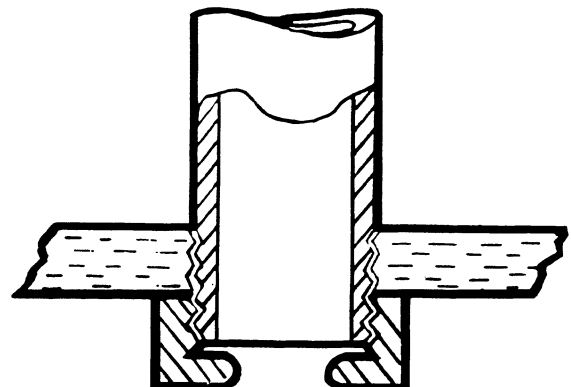


Figure 3.

2. Remove the receptacle housing cover by loosening the one captive #8-32 x 3/8 screw holding the cover in place.
3. Connect receptacle leads to supply line leads. When a green or uninsulated conductor for equipment grounding is provided in the supply line system, connect this lead to the green pigtail that is in the receptacle housing. When *no* grounding wire is carried in the supply line system, the green pigtail that is in the receptacle housing is to be cut off very close to the attachment screw to avoid accidental contact with live terminals or wires. The green (RH) grounding conductor in the cord **MUST** be connected to the fixture enclosure. Hook contact with the loop cannot be considered to be adequate for grounding. Be certain that all systems and equipment are grounded in accordance with requirements of the National Electrical Code.

4. Replace the receptacle housing cover.
5. With the cable installed in the loop-wire assembly, and the assembly attached to the lighting fixture by a conduit or nipple, connect the loop wire leads to fixture leads or terminals.

**NOTE**

Loop wire to the fixture must be in accordance with requirements for the temperature in the lamp housing. The cable supplied for the loop-wire is rated for 90°C. operation. If temperature in the lamp housing exceeds 90°C replace cord with one of correct rating.

6. Tighten set screws where conduit or nipple enters loop-wire assembly and lighting fixture. (Lighting fixture is not usually supplied as part of the Power Hook Assembly. It is to be ordered separately.)
7. Install loop-wire assembly on hanger at bottom of receptacle housing. (See CAUTION under Step 1.)
8. Insert the plug into the receptacle and turn it clockwise tightly to lock the plug firmly in position.

**NOTE**

With the plug in the receptacle, the hook assembly cannot be removed from the hanger, either accidentally or deliberately.

9. Turn power on.

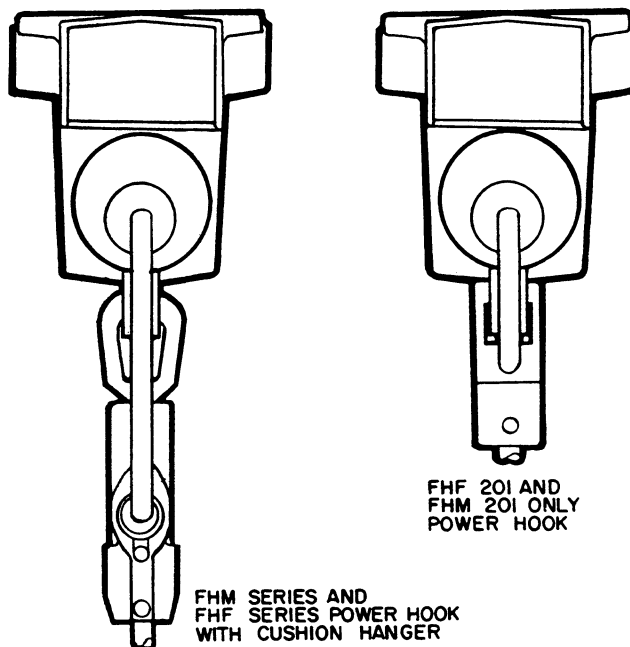


Figure 4.