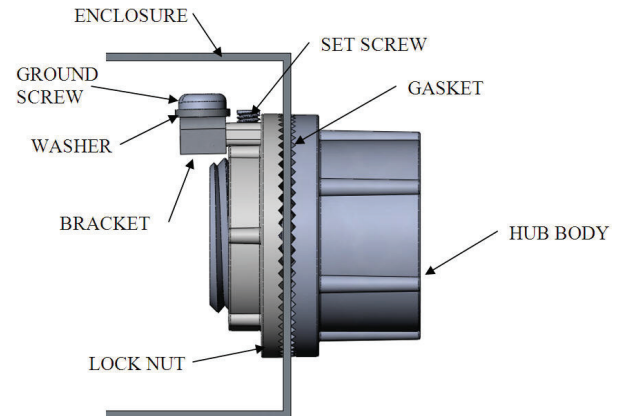


SAVE THESE INSTRUCTIONS FOR FUTURE REFERENCE

INSTALLATION (Ex 2 G Ex e IIC Gb Ta -15°C to +120°C)

- Determine location for the hub mounting hole, making sure there is enough room internally to install the locking nut. Using the dimensions in the table below, machine a mounting hole in the enclosure, following the maximum wall thickness dimensions.
- Secure the locking nut to the hub body using the torque values below. Tighten the locking ring set screw.
- Install ground (earth) lead, consisting of a maximum of two (2) 6 AWG to 14 AWG solid or stranded copper wires, between the ground bracket and the locknut, and tighten the ground screw to the specified torque. If the available ground (earth) lead AWG is greater than specified, a copper lug style connector, specified per NEC, may be utilized.
- Reference NEC for ground (earth) lead preparation and insulation stripping requirements. Both screws should be tightened to 35 lb.-in. (4.0 N-m).
- Hub is now ready to accept NPT threaded conduit or cable fittings (glands).



Maximum panel thickness

Catalog number	Mounting hole		Plastic enclosure		Metal enclosure		Tightening torque	
	Inches	(mm)	Inches	(mm)	Inches	(mm)	lb.-in.	(N-m)
STGK-1*	0.86 - 0.88	(21.8 - 22.4)	0.25	(6.35)	0.25	(6.35)	300	(33.9)
STGK-2*	1.06 - 1.13	(26.9 - 28.7)	0.25	(6.35)	0.25	(6.35)	500	(56.5)
STGK-3*	1.33 - 1.38	(33.8 - 35.0)	0.25	(6.35)	0.25	(6.35)	700	(79.1)
STGK-4*	1.67 - 1.75	(42.4 - 44.5)	0.25	(6.35)	0.25	(6.35)	1000	(113.0)
STGK-5*	1.92 - 2.00	(48.8 - 50.8)	0.25	(6.35)	0.25	(6.35)	1200	(136.0)
STGK-6*	2.39 - 2.50	(60.7 - 63.5)	0.25	(6.35)	0.25	(6.35)	1600	(181.0)
STGK-7*	2.92 - 3.00	(74.1 - 76.2)	0.25	(6.35)	0.25	(6.35)	1600	(181.0)
STGK-8*	3.56 - 3.66	(90.5 - 93.0)	0.25	(6.35)	0.25	(6.35)	1600	(181.0)
STGK-9*	4.06 - 4.17	(103.2 - 106.0)	0.25	(6.35)	0.25	(6.35)	1600	(181.0)
STGK-10*	4.56 - 4.69	(115.9 - 119.0)	0.25	(6.35)	0.25	(6.35)	1600	(181.0)
SSTGK-1**	0.86 - 0.88	(21.8 - 22.4)	0.25	(4.76)	0.25	(4.76)	300	(33.9)
SSTGK-2**	1.06 - 1.13	(26.9 - 28.7)	0.25	(4.76)	0.25	(4.76)	500	(56.5)
SSTGK-3**	1.33 - 1.38	(33.8 - 35.0)	0.25	(6.35)	0.25	(6.35)	700	(79.1)
SSTGK-4**	1.67 - 1.75	(42.4 - 44.5)	0.25	(6.35)	0.25	(6.35)	1000	(113.0)
SSTGK-5**	1.92 - 2.00	(48.8 - 50.8)	0.25	(6.35)	0.25	(6.35)	1200	(136.0)
SSTGK-6**	2.39 - 2.50	(60.7 - 63.5)	0.25	(6.35)	0.25	(6.35)	1600	(181.0)
SSTGK-7**	2.92 - 3.00	(74.1 - 76.2)	0.25	(6.35)	0.25	(6.35)	1600	(181.0)
SSTGK-8**	3.56 - 3.66	(90.5 - 93.0)	0.25	(6.35)	0.25	(6.35)	1600	(181.0)
SSTGK-9**	4.06 - 4.17	(103.2 - 106.0)	0.25	(6.35)	0.25	(6.35)	1600	(181.0)
SSTGK-10**	4.56 - 4.69	(115.9 - 119.0)	0.25	(6.35)	0.25	(6.35)	1600	(181.0)

* STGK-1 to STGK-6 thickness range of 0.080" (2mm) - 0.25" (6.35mm) metal enclosure.

* STGK-1 to STGK-10 thickness range of 0.125" (3.2mm) - 0.25" (6.35mm) plastic enclosure.

** SSTGK-1 to SSTGK-6 thickness range of 0.080" (2mm) - 0.25" (6.35mm) metal enclosure.

** SSTGK-1 thickness range of 0.125" (2mm) - 0.25" (6.35mm) plastic enclosure.

** SSTGK-2 to SSTGK-10 enclosure thickness of 0.25" (6.35mm) plastic enclosure.

All statements, technical information and recommendations contained herein are based on information and tests we believe to be reliable. The accuracy or completeness thereof are not guaranteed. In accordance with Eaton's Crouse-Hinds Division's "Terms and Conditions of Sale," and since conditions of use are outside our control, the purchaser should determine the suitability of the product for his intended use and assumes all risk and liability whatsoever in connection therewith.