

Weatherproof outlet boxes

Features:

- Durable die cast aluminum construction for long product life
- Powder paint finish for corrosive environments
- Boxes supplied with required installation hardware
- Tapered NPT hubs

Standard materials and finishes:

- Boxes – die cast aluminum
- Self-closing covers – zinc die cast
- Toggle switch covers – stamped aluminum
- Blank covers – steel

Certifications and compliances:

- UL Standard UL514A
- UL Listed File No. E-15022
- cUL Standard CSA C22.2 No 18.1-04
- Suitable for wet locations

SINGLE GANG – 18.0 CUBIC INCH CAPACITY – 2" DEEP CAST ALUMINUM – UL LISTED FOR WET LOCATIONS



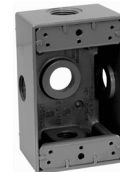
TP7010 - TP7018



TP7026, TP7034



TP7042, TP7050



TP7058, TP7066

Cat. #	Description	Outlet holes	Color	Unit qty.	Wt. lbs. per 100
TP7010	With lugs	3 - 1/2"	Gray	50	58.3
TP7011	With lugs	3 - 1/2"	White	50	58.3
TP7012	With lugs	3 - 1/2"	Bronze	50	58.3
TP7018	With lugs	3 - 3/4"	Gray	50	58.3
TP7026	With lugs	4 - 1/2"	Gray	50	58.3
TP7034	With lugs	4 - 3/4"	Gray	50	58.3
TP7042	With lugs	5 - 1/2"	Gray	50	58.3
TP7050	With lugs	5 - 3/4"	Gray	50	58.3
TP7058	Side entry, with lugs	5 - 1/2"	Gray	50	58.3
TP7066	Side entry, with lugs	5 - 3/4"	Gray	50	58.3

SINGLE GANG – 24.0 CUBIC INCH CAPACITY – 2 5/8" DEEP CAST ALUMINUM – UL LISTED FOR WET LOCATIONS



TP7074, TP7078, TP7082

Cat. #	Description	Outlet holes	Color	Unit qty.	Wt. lbs. per 100
TP7074	With lugs	3 - 1/2"	Gray	25	80
TP7078	With lugs	3 - 3/4"	Gray	25	80
TP7082	With lugs	3 - 1"	Gray	25	80

Weatherproof

Weatherproof outlet boxes

TWO GANG – 30.5 CUBIC INCH CAPACITY

2" DEEP

CAST ALUMINUM – UL LISTED FOR WET LOCATIONS



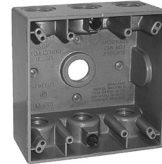
TP7086 - TP7090



TP7094, TP7098



TP7102, TP7106



TP7110, TP7114



TP7118, TP7122

Cat. #	Description	Color	Unit qty.	Wt. lbs. per 100
TP7086	3 - 1/2" holes	Gray	10	83.3
TP7087	3 - 1/2" holes	White	10	83.3
TP7088	3 - 1/2" holes	Bronze	10	83.3
TP7090	3 - 3/4" holes	Gray	10	83.3
TP7094	4 - 1/2" holes	Gray	10	83.3
TP7098	4 - 3/4" holes	Gray	10	83.3
TP7102	5 - 1/2" holes	Gray	10	83.3
TP7106	5 - 3/4" holes	Gray	10	83.3
TP7110	7 - 1/2" holes	Gray	10	83.3
TP7114	7 - 3/4" holes	Gray	10	83.3
TP7118	5 - 1/2" holes	Gray	10	83.3
TP7122	5 - 3/4" holes	Gray	10	83.3

TWO & THREE GANG

2 5/8" DEEP

CAST ALUMINUM – UL LISTED FOR WET LOCATIONS



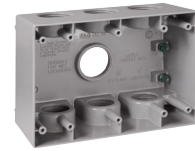
TP7126, TP7130, TP7134



TP7137, TP7138, TP7142



TP7143



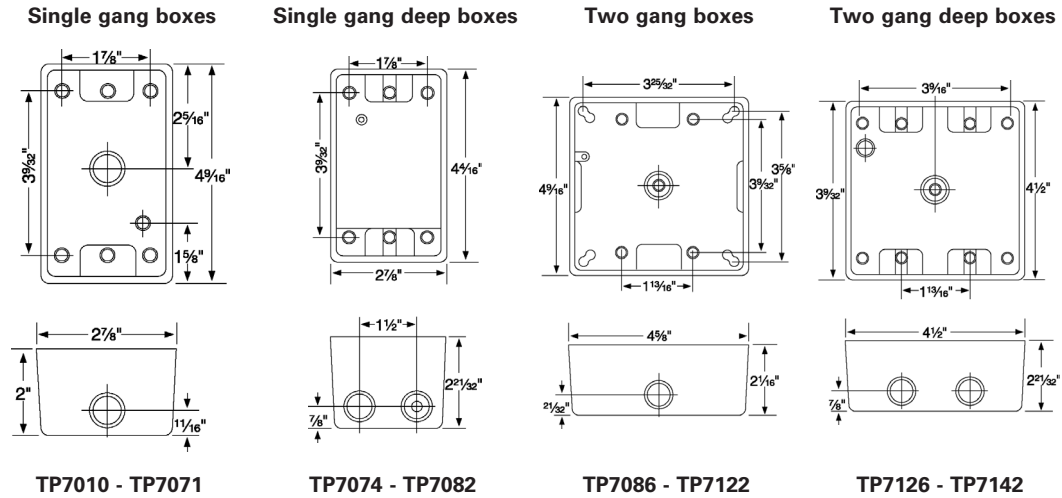
TP7144

Cat. #	Description	Color	Capacity Cu. In.	Unit Qty.	Wt. lbs. per 100
Two gang deep weatherproof outlet boxes					
TP7126	5 - 1/2" holes	Gray	37	6	140
TP7130	5 - 3/4" holes	Gray	37	6	140
TP7134	5 - 1" holes	Gray	37	6	140
TP7137	7 - 1/2" holes	Gray	37	6	140
TP7138	7 - 3/4" holes	Gray	37	6	140
TP7142	7 - 1" holes	Gray	37	6	140
Three gang deep weatherproof outlet boxes					
TP7143	7 - 3/4" holes	Gray	59	5	159
TP7144	7 - 1" holes	Gray	59	5	159

Weatherproof

Weatherproof outlet boxes

Dimensions (in inches):



ONE & TWO GANG WEATHERPROOF EXTENSIONS

1" DEEP, DIE CAST ALUMINUM EXTENSION RING
 GASKET & MOUNTING SCREWS INCLUDED WITH COVER
 UL LISTED FOR WET LOCATIONS



TP7120



TP7123

Cat. #	Description	Color	Capacity cu. in.	Unit qty.	Wt. lbs. per 100
TP7120	Single gang	Gray	9	25	27.2
TP7123	Two gang	Gray	10	10	27.2

EXTENSION ADAPTER

DIE CAST ALUMINUM
 MOUNTING SCREW & GASKET INCLUDED WITH COVER
 UL LISTED FOR WET LOCATIONS



Cat. #	Description	Color	Capacity cu. in.	Unit qty.	Wt. lbs. per 100
TP7173	4 - 1/2" holes	Gray	9.5	25	23.6
TP7174	4 - 3/4" holes	Gray	13.0	25	27.8

Weatherproof outlet boxes

4" ROUND – 15.5 CUBIC INCH CAPACITY

1½" DEEP, DIE CAST ALUMINUM, UL LISTED FOR WET LOCATIONS

- GROUND SCREW PROVIDED WITH BOX
- GASKET & MOUNTING SCREWS INCLUDED WITH COVER



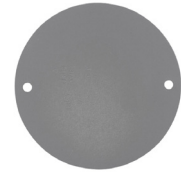
TP7152



TP7146



TP7147 - TP7151

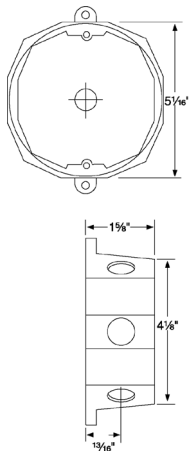


TP7158

Cat. #	Side holes	Back hole	Color	Unit qty.	Wt. lbs. per 100
TP7146	4 - ½"	½"	Gray	25	79.2
TP7148	4 - ½"	½"	White	25	79.2
TP7149	4 - ½"	½"	Bronze	25	79.2
TP7150	4 - ¾"	¾"	Gray	25	79.2
TP7158	Blank cover plate	-	Gray	50	20.8
With blank plate					
TP7147	4 - ½"	½"	Gray	24	100.0
TP7151	4 - ¾"	¾"	Gray	24	100.0
1½" deep round weatherproof outlet box extension (18.3 Cubic inch capacity)					
TP7152	4 - ½"	-	Gray	25	58.3

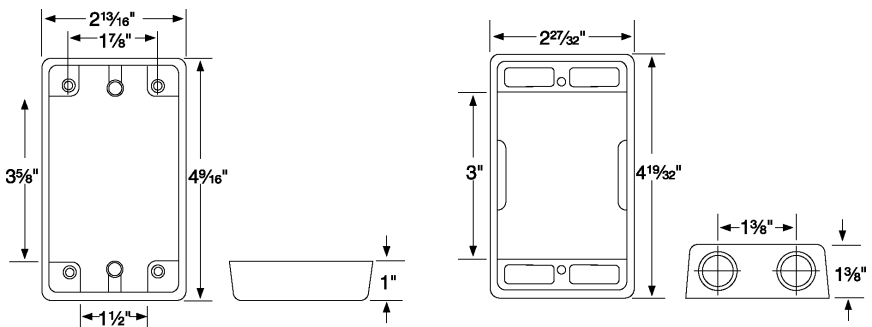
Dimensions (in inches):

Round boxes



TP7146

Extension rings & flanged boxes



TP7120

TP7120

Weatherproof

Weatherproof outlet covers

CLOSURE PLUGS

CSA LISTED

Cat. #	Description	Color	Unit qty.	Wt. lbs. per 100
TP7940	1/2"	Gray	100	1.5
TP7941	1/2"	White	100	1.5
TP7942	1/2"	Bronze	100	1.5
TP7944	3/4"	Gray	50	2.1
TP7948	1"	Gray	50	3.0



WEATHERPROOF MOUNTING HARDWARE KIT

Cat. #	Description	Unit qty.	Wt. lbs. per 100
WPMH1	Weatherproof mounting hardware	1	1.2



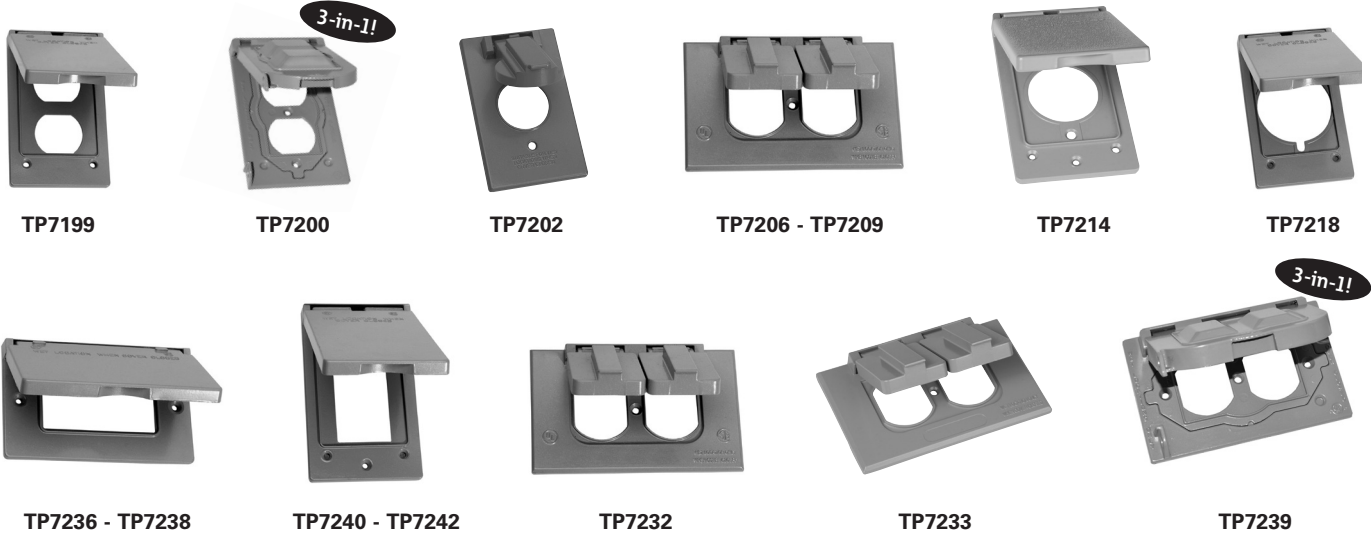
ONE GANG

DIE CAST ALUMINUM, SELF-CLOSING COVERS WITH GASKETS

UL LISTED

Materials and finishes:

- Self-closing covers – die cast aluminum, epoxy powder coated
- Gasket – polyethylene foam



TP7199

TP7200

TP7202

TP7206 - TP7209

TP7214

TP7218

TP7236 - TP7238

TP7240 - TP7242

TP7232

TP7233

TP7239

Cat. #	Description	Color	Unit qty.	Wt. lbs. per 100
TP7199	One gang vertical duplex cover	Gray	50	61.1
TP7200	One gang – vertical multi-use – for GFCI, duplex or 1.38" dia. opening	Gray	24	20.0
TP7202	One gang – for single receptacle or switch – 1.425" dia. opening	Gray	25	42.0
TP7206	One gang – for duplex receptacle or combination switch	Natural	50	38.0
TP7207	One gang – for duplex receptacle or combination switch	Gray	50	38.0
TP7208	One gang – for duplex receptacle or combination switch	White	50	38.0
TP7209	One gang – for horizontal duplex receptacle or combination switch	Bronze	50	38.0
TP7214	One gang vertical – for single receptacle or switch 1.62" dia. opening	Gray	25	61.1
TP7218	One gang – for 20, 30 and 50A receptacles (2.125" dia.)	Gray	25	55.6
TP7232	One gang stay open – for duplex receptacles, switches or combination devices, non UL Listed	Natural	50	38.0
TP7233	One gang stay open – for horizontal duplex receptacles, switches or combination devices, non UL Listed	Gray	50	38.0
TP7236	One gang – for horizontal GFI devices	Gray	25	42.0
TP7237	One gang – for horizontal GFI devices	White	25	42.0
TP7238	One gang – for horizontal GFI devices	Bronze	25	42.0
TP7239	One gang – horizontal multi-use – for GFCI, duplex or 1.38" dia. opening	Gray	24	20.0
TP7240	One gang – for vertical GFI devices	Gray	25	54.0
TP7241	One gang – for vertical GFI devices	White	25	54.0
TP7242	One gang – for vertical GFI devices	Bronze	25	54.0

Weatherproof

Weatherproof outlet covers

TWO GANG

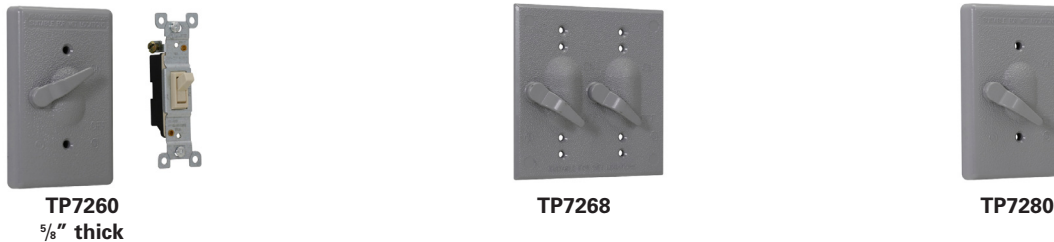
DIE CAST ALUMINUM, SELF-CLOSING COVERS WITH GASKETS
UL LISTED



Cat. #	Description	Color	Unit qty.	Wt. lbs. per 100
TP7220	Two gang – for two single receptacles and/or switches	Gray	10	66.7
TP7222	Two gang – multi-use – for two GFCI, two duplex or two 1.38" dia. opening or combination	Gray	8	30.0
TP7224	Two gang – for one single receptacle (1.406" dia.) or switch and one duplex receptacle, switch or combination device	Gray	10	62.0
TP7228	Two gang – for two duplex receptacles, switches or combination device	Gray	10	61.1
TP7244	Two gang – for vertical GFI devices and one single switch or receptacle	Gray	10	61.1
TP7248	Two gang – for one vertical GFI device and one duplex receptacle, switch or combination device	Gray	10	61.1
TP7252	Two gang – for two GFI devices	Gray	10	55.6

ONE & TWO GANG

ALUMINUM, TOGGLE SWITCH COVERS WITH GASKETS STAMPED
UL LISTED



Cat. #	Description	Unit qty.	Wt. lbs. per 100
TP7260	One gang with 15A 125V single pole switch	50	27.8
TP7268 [Ⓢ]	Two gang	10	16.7
TP7272	Two gang with 2 – 15A 125V single pole switches	10	33.3
TP7276	Two gang with 2 – 15A 125V three way switches	10	33.3
TP7280	One gang extended switch cover – (for use with standard switch)	50	34.1

[Ⓢ]For use with earless recessed switches.

Weatherproof

Weatherproof outlet covers

BLANK STEEL WITH GASKETS UL LISTED FOR WET LOCATIONS



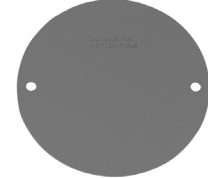
TP7292 - TP7294



TP7296 - TP7298



TP7295



TP7158 - TP7160

Cat. #	Description	Color	Unit qty.	Wt. lbs. per 100
TP7292	One gang	Gray	100	8.3
TP7293	One gang	White	100	8.3
TP7294	One gang	Bronze	100	8.3
TP7296	Two gang	Gray	50	12.5
TP7297	Two gang	White	50	12.5
TP7298	Two gang	Bronze	50	12.5
TP7295	Three gang	Gray	25	17.0
TP7158	4" blank round	Gray	50	21.0
TP7159	4" blank round	White	50	21.0
TP7160	4" blank round	Bronze	50	21.0

ROUND & RECTANGULAR DIE CAST ALUMINUM, FOR USE WITH WEATHERPROOF LAMPHOLDERS WITH GASKETS UL LISTED FOR WET LOCATIONS



TP7300 - TP7302



TP7308 - TP7310



TP7312 - TP7314



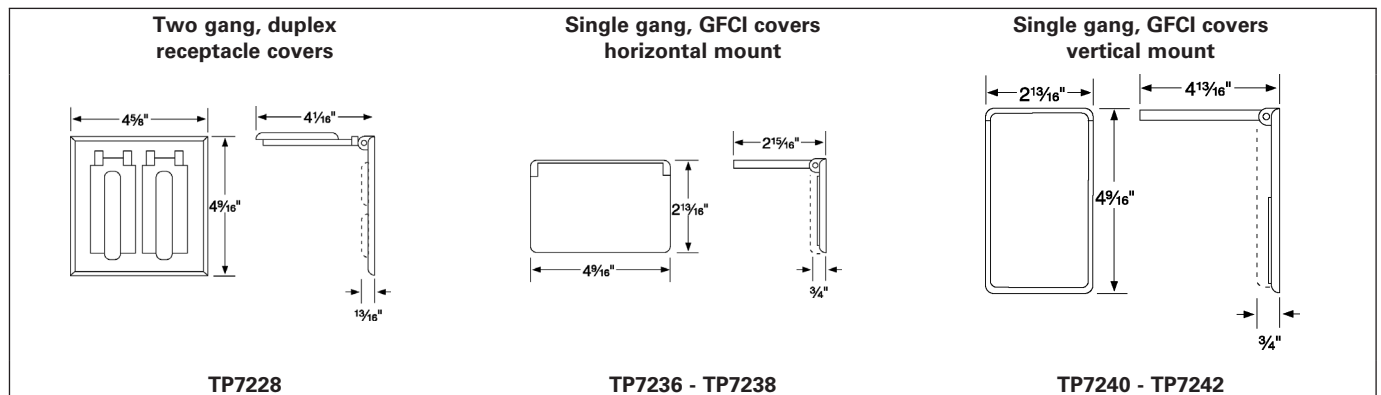
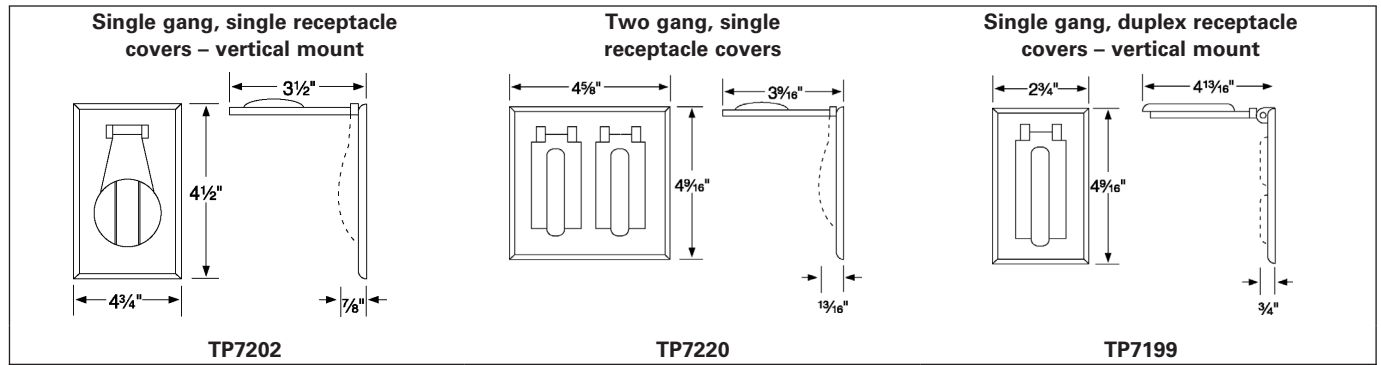
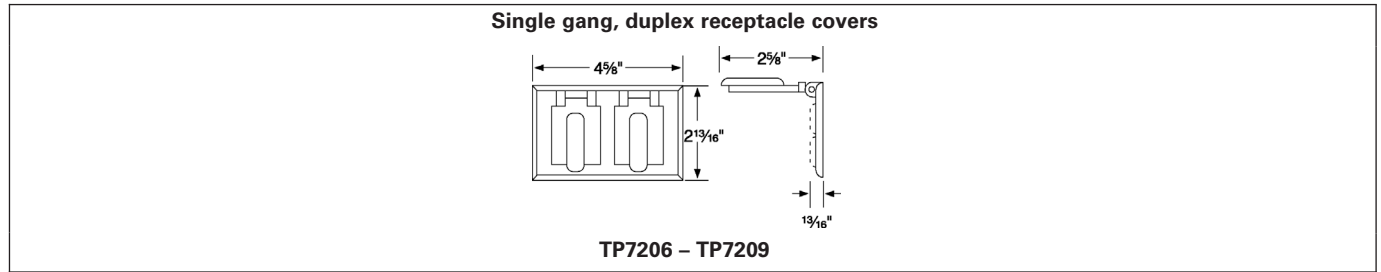
TP7320 - TP7322

Cat. #	Description	No. of outlet holes	Color	Unit qty.	Wt. lbs. per 100
TP7300	4" round	1 - 1/2"	Gray	25	20.8
TP7301	4" round	1 - 1/2"	White	25	20.8
TP7302	4" round	1 - 1/2"	Bronze	25	20.8
TP7304	4" round	2 - 1/2"	Gray	25	33.3
TP7308 ¹	4" round	3 - 1/2"	Gray	25	33.3
TP7309 ¹	4" round	3 - 1/2"	White	25	33.3
TP7310 ¹	4" round	3 - 1/2"	Bronze	25	33.3
TP7312	Rectangular	1 - 1/2"	Gray	25	33.3
TP7313	Rectangular	1 - 1/2"	White	25	33.3
TP7314	Rectangular	1 - 1/2"	Bronze	25	33.3
TP7316	Rectangular	2 - 1/2"	Gray	25	33.3
TP7317	Rectangular	2 - 1/2"	White	25	33.3
TP7318	Rectangular	2 - 1/2"	Bronze	25	33.3
TP7320	Rectangular	3 - 1/2"	Gray	25	33.3
TP7321	Rectangular	3 - 1/2"	White	25	33.3
TP7322	Rectangular	3 - 1/2"	Bronze	25	33.3

¹ Comes with closure plug.

Weatherproof outlet covers

Dimensions (in inches):



Weatherproof outlet covers

Dimensions (in inches):

