

# -V-Spring telescoping safety light pole

UL Listed  
CSA Certified  
cULus Listed for Cl. I, Div. 2 &  
Cl. II, Div. 2 when used with  
Champ luminaires

Dusttight  
NEMA 4; IP66

7L

## Applications:

- For luminaires installed on industrial walkways, platforms, stairways and conveyors where OSHA/HSE regulations require fall prevention equipment
- Hard to reach or dangerous areas where safety is a big concern
- Hazardous and harsh environments subject to corrosive agents, vibration and extreme temperatures

## Certifications and compliances:

- UL1598
- CSA C22.2 No. 250.0-08
- cULus Listed for Class I, Division 2, Class II, Division 2 when used with Champ® luminaires

## Environmental ratings:

- Dusttight
- NEMA 4, IP66
- Wind rated to 230 mph per AASHTO standards

## Vibration:

- DNV No. 2.4: 2006
- IEC 60068-2-6: 2007

## Product specifications:

### Construction:

- Telescoping
- Factory sealed and pre-wired

### Installed height:

- Adjustable raised height

## Standard materials:

### Light pole options:

- Structural steel – A36-500
- Hot dip galvanized – ASTM 123
- Aluminum – T6061
- Stainless steel – 316 grade

### Compression spring:

- Stainless steel

### Hardware:

- Xylan 1400 coated for corrosion protection

### Cable:

- 12/3 AWG UL/CSA Listed
- 600V, -40°C to 105°C
- Sun- and oil-resistant, FT1, FT2
- ROHS II reach

### Weather cover:

- 60 Duro high UV-resistant EPDM

## Weights:

Handrail stanchion and wall models:

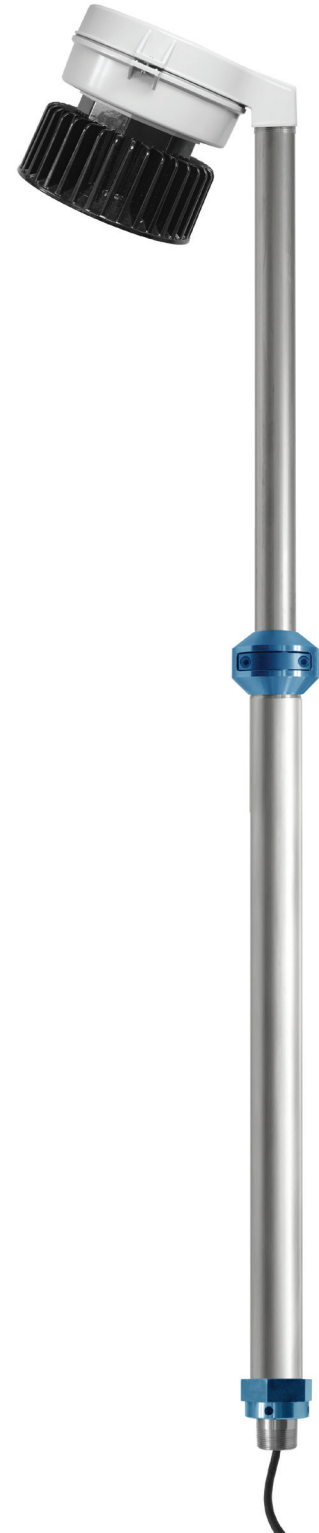
- Structural steel – 42 lbs.
- Aluminum – 23 lbs.

Base/structural model:

- Structural steel – 70 lbs.
- Aluminum – 34 lbs.

Maximum luminaire weight:

- 50 lbs. (recommended weight for one person operation)



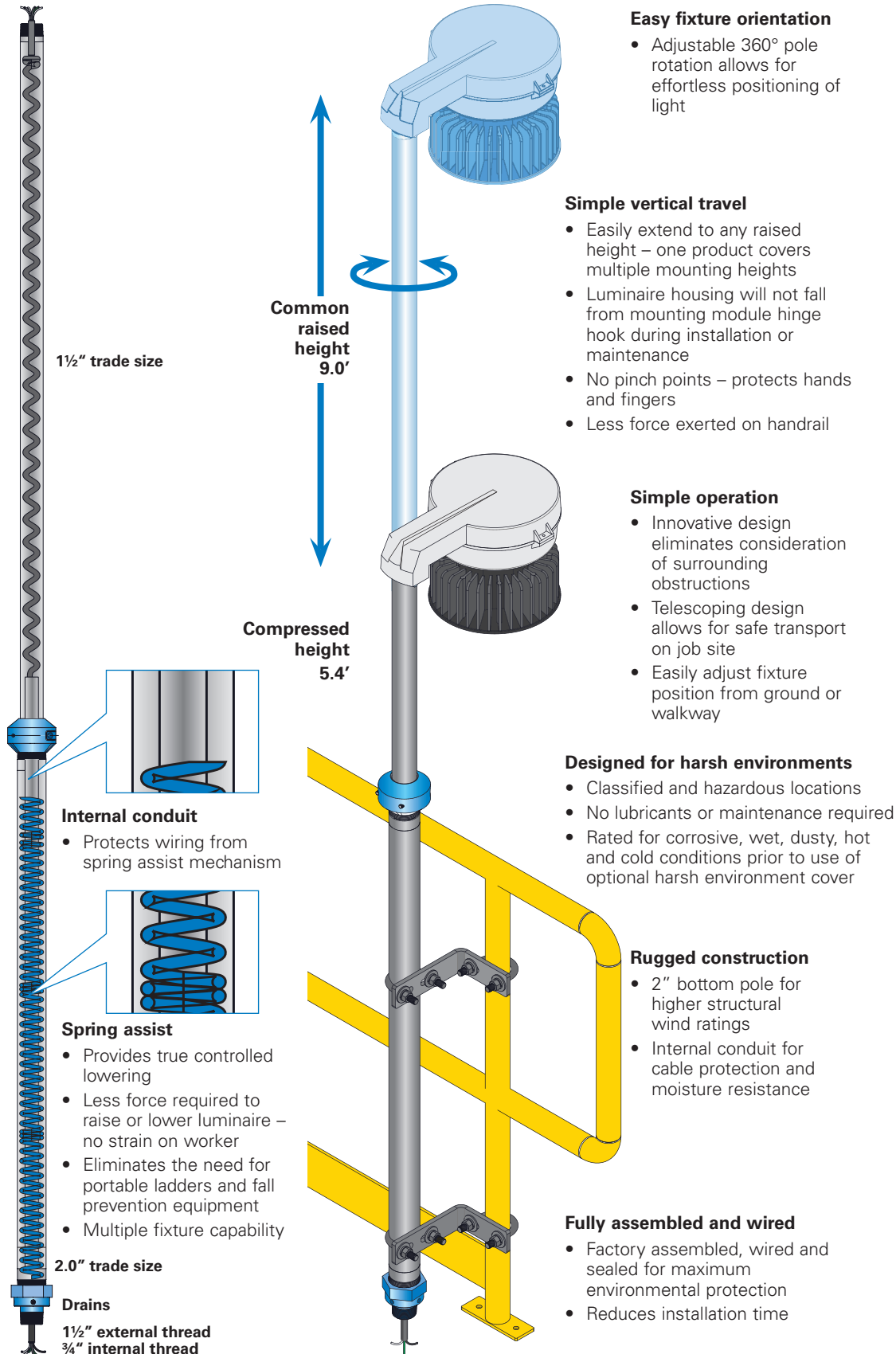
7L

# -V-Spring telescoping safety light pole

UL Listed  
 CSA Certified  
 cULus Listed for Cl. I, Div. 2 &  
 Cl. II, Div. 2 when used with  
 Champ luminaires

Dusttight  
 NEMA 4; IP66

7L



7L

# -V-Spring telescoping safety light pole

UL Listed  
 CSA Certified  
 cULus Listed for Cl. I, Div. 2 &  
 Cl. II, Div. 2 when used with  
 Champ luminaires

Dusttight  
 NEMA 4; IP66

7L

## Ordering information:

Part number example  
**V65H-G-JM5-T57**

# V65 H - G

### Series

**V65** V-Spring telescoping safety light pole

### Mounting

<b>B</b>	Base
<b>W</b>	Wall
<b>H</b>	Handrail stanchion

Stanchion mounting kits must be ordered separately.  
 See table below for options.

### Handrail mounting kits

<b>MHK-RTG</b>	Tubular rail, galvanized
<b>MHK-RTS</b>	Tubular rail, stainless
<b>MHK-RAG</b>	Angled rail, galvanized
<b>MHK-RAS</b>	Angled rail, stainless
<b>MHK-RIG</b>	Incline rail, galvanized
<b>MHK-RIS</b>	Incline rail, stainless

### Material

<b>G</b>	Galvanized steel
<b>A</b>	Aluminum
<b>S</b>	316 stainless steel

### Harsh environment cover

<b>BLANK</b>	No cover
<b>C</b>	Installed cover for locking collar

## Labor savings options

Minimum order quantity: 10 pieces

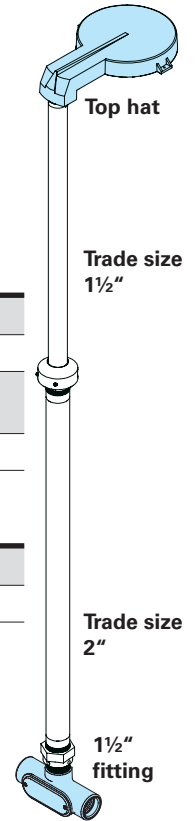
# - JM5 - T57

### Fitting<sup>A</sup>

<b>T57</b>	Form 7 – 1½"
<b>T58</b>	Form 8 – 1½"
<b>T59SX77</b>	Mark 9 (aluminum with ground screw) – 1½"
<b>T57 SA</b>	Form 7 (aluminum) – 1½"

### Top hat<sup>B</sup>

<b>JM5</b>	25° angled top hat
<b>PM5</b>	Straight top hat



7L

<sup>A</sup>Includes cover and gasket.  
<sup>B</sup>For Champ luminaires only.

# -V-Spring telescoping safety light pole

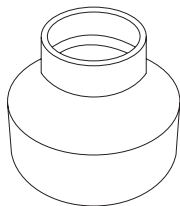
UL Listed  
 CSA Certified  
 cULus Listed for Cl. I, Div. 2 &  
 Cl. II, Div. 2 when used with  
 Champ luminaires

Dusttight  
 NEMA 4; IP66

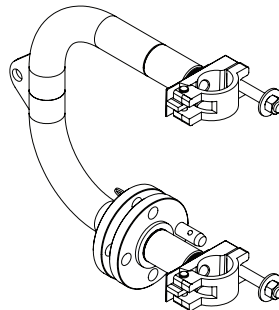
7L

## Accessories (ordered separately):

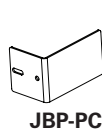
Description	Cat. #
<b>Luminaire mounts:</b>	
• 2 ft. (610mm) fluorescent clamp-on .....	<b>LMB-FR240-PC</b>
• 4 ft. (1200mm) fluorescent clamp-on .....	<b>LMB-FR440-PC</b>
• 3 ft. (920mm) fluorescent clamp-on, cross arm .....	<b>LMB-FRT40-PC</b>
• Multi-purpose bolt-on, vertical .....	<b>LMB-WP40-PC</b>
• Multi-purpose bolt-on, horizontal .....	<b>LMB-MP40-PC</b>
• Floodlight bolt-on .....	<b>LMB-FL40-PC</b>
• Junction box plate .....	<b>JBP-G</b>
<b>Champ only luminaire mounts – aluminum:</b>	
• 25° angled top hat .....	<b>JM5</b>
• Straight top hat .....	<b>PM5</b>
<b>Harsh environment cover:</b>	
• Harsh environment cover for locking collar .....	<b>EC65</b>
<b>Pole removal:</b>	
• Pole removal tool .....	<b>PRT</b>



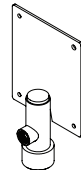
EC65



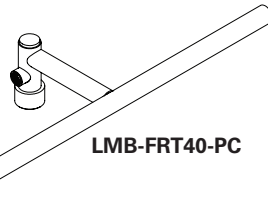
PRT



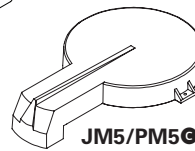
JBP-PC



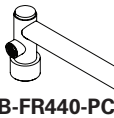
LMB-WP40-PC



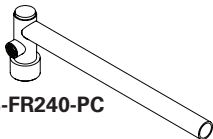
LMB-FRT40-PC



JM5/PM5



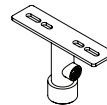
LMB-FR440-PC



LMB-FR240-PC



LMB-MP40-PC



LMB-FL40-PC

Contact factory for aluminum or stainless options.

Ⓞ For Champ luminaires only.

7L

# -V-Spring telescoping safety light pole

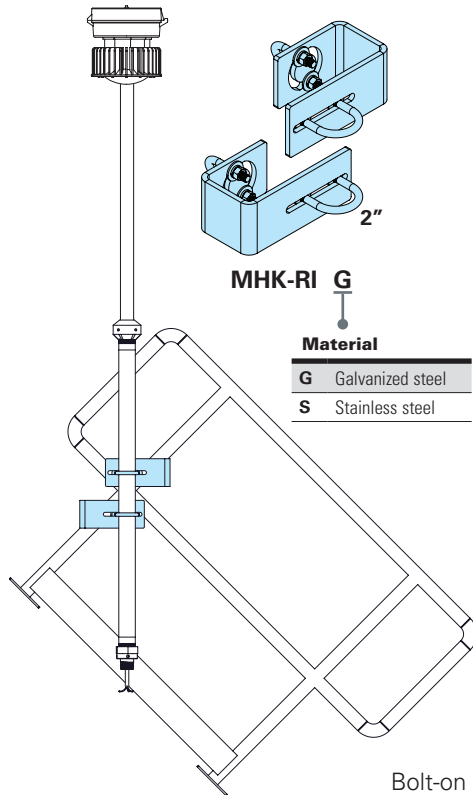
UL Listed  
 CSA Certified  
 cULus Listed for Cl. I, Div. 2 &  
 Cl. II, Div. 2 when used with  
 Champ luminaires

Dusttight  
 NEMA 4; IP66

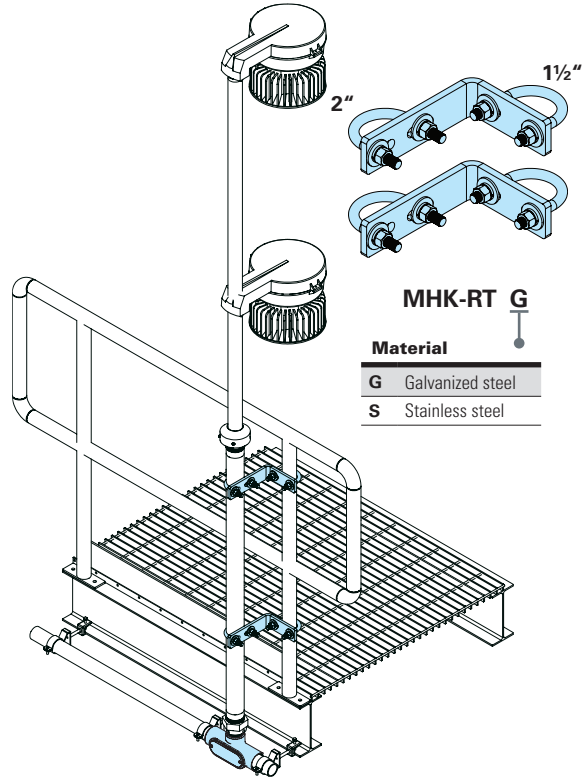
7L

## Installation options:

### Inclined rail mount

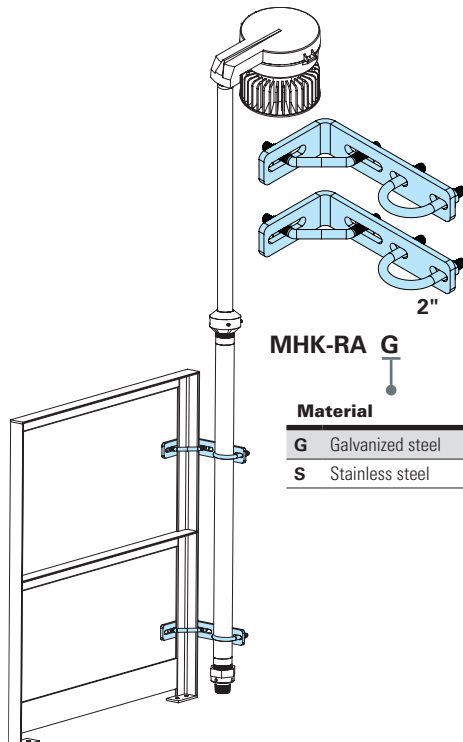


### Universal rail mount – tubular rail



Bolt-on (weld-less) brackets provided as a complete kit

### Universal rail mount – angular



7L

# -V-Spring telescoping safety light pole

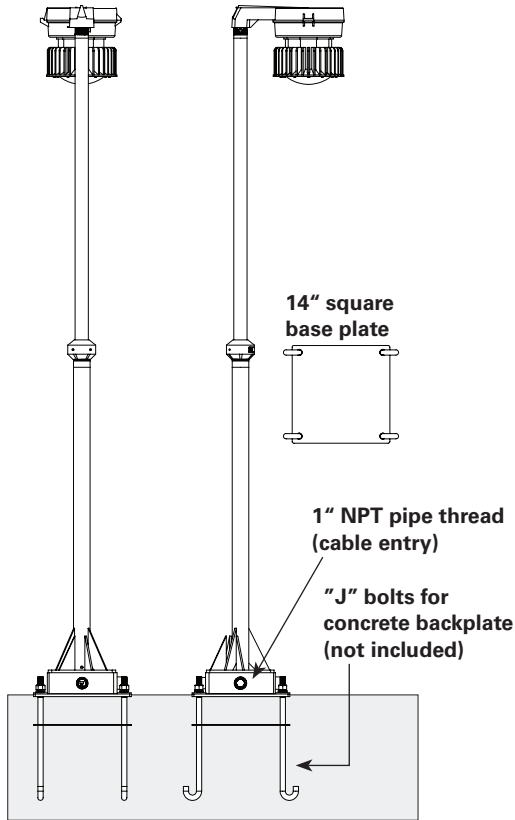
UL Listed  
CSA Certified  
cULus Listed for Cl. I, Div. 2 &  
Cl. II, Div. 2 when used with  
Champ luminaires

Dusttight  
NEMA 4; IP66

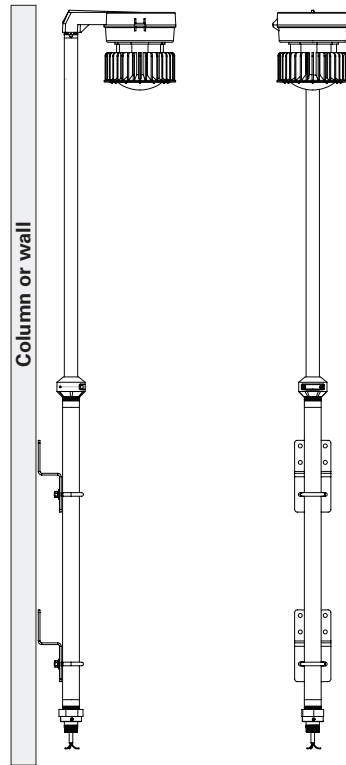
7L

## Installation options (continued):

Base mount



Column/wall mount



**NOTE:**

All mounting hardware for base and wall are included with pole.

Wall mount bracket included (MHK-WG).

7L