

TGC cable tray ground conductor clamp

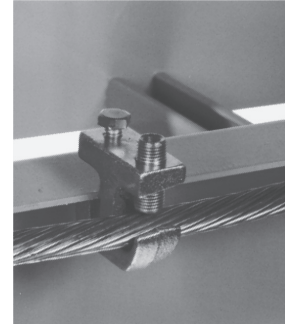
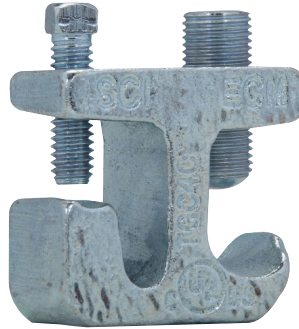
2G

2G

Applications:

Cable tray grounding conductor clamps are designed for use in heavy industrial applications:

- To provide a means for securely attaching a grounding conductor to cable tray to maintain grounding continuity for the entire cable tray system
- To provide protection of equipment through a reliable method for carrying ground fault currents
- To meet UL and NEC Code requirements
- For installation indoors or outdoors, with most types of cable trays with inside or outside flanges



TGC clamp installs on cable trays with inside or outside flanges

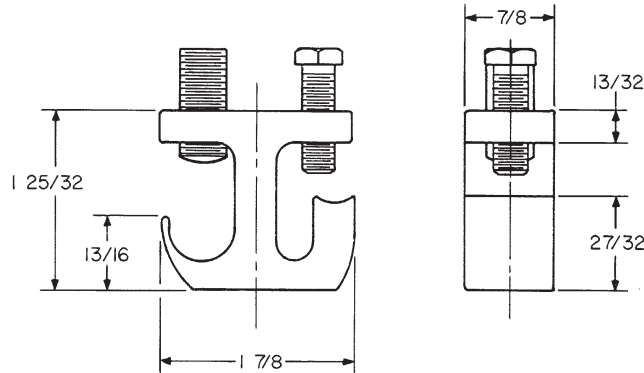
Ordering information:

Ground wire size	Cat. #
#6 to 2/0	TGC40

Features:

- Meets requirements of NEC Code Article 318-7 for grounding and bonding
- Quick and easy installation – low installed cost; no drilling or special tools required
- Accommodates solid (where suitable) or stranded aluminum or copper grounding conductors in sizes from #6 to 2/0
- Set screw bonds the clamp to the tray and another set screw securely attaches the grounding conductor to the clamp – outstanding pull-out and vibration resistance
- Design accommodates most popular types of cable tray
- Mechanical device – can be easily inspected
- Malleable iron body provides high strength

Dimensions (in Inches):



Certifications and compliances:

- UL standard: 467 – Grounding and Bonding Equipment

Standard materials:

- Body – malleable iron
- Set screws – steel

Standard finish:

- Malleable iron and steel – electrogalvanized