

Applications:

LCC cable tray conduit clamps are used for installation on cable tray side rails with inside flanges (requiring inside tray mounting) and outside flanges; LCCF clamps are for use exclusively on inside flanges.

LCC/LCCF cable tray conduit clamps:

- Provide a means of clamping metal conduit (rigid steel or aluminum, IMC and EMT) to cable tray to provide for the exit of power and/or control cables from tray
- Provide a means to firmly bond exit conduit to cable tray for best grounding continuity
- Provide strong mechanical support for exit conduits and cables
- Can be used indoors or outdoors, wherever cable tray systems are installed
- Facilitate the safe exit of cables from tray – ensure protection of cables from damage

Features:

- Quick and easy installation – low installed cost; merely tighten clamp nut and/or set screw(s)
- Swivel hook clears conduit; no disassembly required for installation
- No drilling or welding necessary for installation
- Provides superior ground continuity between conduit and cable tray
- Clamps conduit at any angle with relation to tray – facilitates wire pulling, minimizes conduit bending
- Malleable iron body provides great strength
- Knurled body has no-slip surface for conduit and tray – positive grip assured
- Compact design has low profile – minimum tray space required for assembly
- Design accommodates all popular types of cable tray
- Accommodates wide range of conduit sizes – 1/2" through 4"

LCCF features:

- Outside mounting facilitates inside rail installation
- Adjustable hook assures positive grip on inside rail
- Accommodates 3/4" through 1 3/4" wide flange

Certifications and compliances:

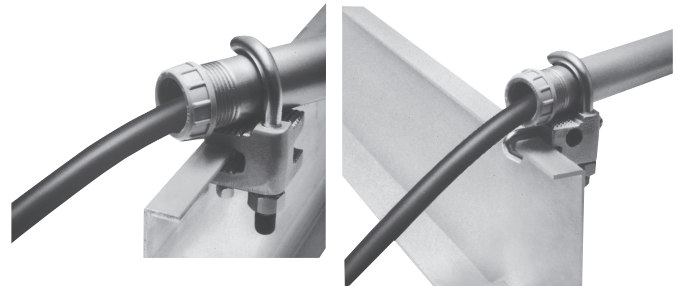
- UL standard: 467 – Grounding and Bonding Equipment

Standard materials:

- Body – cast iron
- Hook – steel
- Set screws and clamping nut – steel
- Hook cap – vinyl

Standard finishes:

- Cast iron – electrogalvanized and aluminum acrylic paint
- Steel – zinc electroplate
- Vinyl – natural

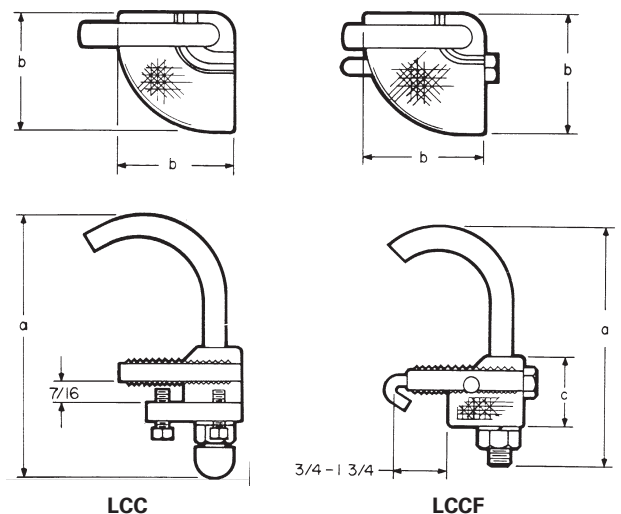


LCC (for use with outside rail tray) **LCCF** (for use with inside rail tray)

Ordering information:

Conduit size	Cat. # LCC	Cat. # LCCF
1/2"	LCC1	LCCF1
3/4"	LCC2	LCCF2
1"	LCC3	LCCF3
1 1/4"	LCC4	LCCF4
1 1/2"	LCC5	LCCF5
2"	LCC6	LCCF6
2 1/2"	LCC7	LCCF7
3"	LCC8	LCCF8
3 1/2"	LCC9	LCCF9
4"	LCC010	LCCF010

Dimensions (in inches):



Conduit size	LCC		LCCF		
	a	b	a	b	c
1/2"	3 ³ / ₁₆	1 ¹¹ / ₁₆	3 ¹ / ₈	1 ⁵ / ₈	1 ¹¹ / ₃₂
3/4"	3 ⁷ / ₁₆	1 ¹¹ / ₁₆	3 ¹¹ / ₃₂	1 ⁵ / ₈	1 ¹¹ / ₃₂
1"	3 ⁹ / ₁₆	1 ¹¹ / ₁₆	3 ¹⁵ / ₃₂	1 ⁵ / ₈	1 ¹¹ / ₃₂
1 1/4"	4	1 ¹¹ / ₁₆	3 ¹⁵ / ₁₆	1 ⁵ / ₈	1 ¹¹ / ₃₂
1 1/2"	4 ¹³ / ₁₆	2 ¹¹ / ₁₆	4 ³ / ₄	2 ³ / ₄	1 ¹¹ / ₁₆
2"	5 ⁵ / ₁₆	2 ¹¹ / ₁₆	5 ¹ / ₄	2 ³ / ₄	1 ¹¹ / ₁₆
2 1/2"	5 ¹³ / ₁₆	2 ¹¹ / ₁₆	5 ³ / ₄	2 ³ / ₄	1 ¹¹ / ₁₆
3"	6 ¹³ / ₁₆	3 ³ / ₄	6 ³ / ₄	3 ¹¹ / ₁₆	2 ³ / ₁₆
3 1/2"	7 ⁵ / ₁₆	3 ³ / ₄	7 ¹ / ₄	3 ¹¹ / ₁₆	2 ³ / ₁₆
4"	7 ¹³ / ₁₆	3 ³ / ₄	7 ³ / ₄	3 ¹¹ / ₁₆	2 ³ / ₁₆