

Haz

HazJbx JUS/wd



FEATURES

- Heavy wall construction.
- Choice of covers: flat, deep or pendant.
- Factory or field installation of terminal block.
- Field drilling and tapping.
- Rear NPT entry available.
- Two heavy duty mounting pads.
- Grounding lug with cast in slots for wire retention.
- Silicone gasket provides a watertight seal.
- Raised hub height allows for easy installation of cable glands.

APPLICATIONS

- Hazardous locations
- Grain & sugar milling processing & storage
- Petrochemical facilities
- Marine and watertight requirements
- Oil and gas exploration and production
- Waste water treatment plants
- Pipeline compressor / pumping & storage
- Food & beverage processing facilities
- Coal processing & storage
- Munitions manufacturing & storage

APPROVALS

- Class I Division 2 Groups A, B, C & D
- Class I Zone 2 Groups IIA, IIB & IIC
- Class II Divisions 1 & 2 Groups E, F & G
- Class III
- Type 4
- Conforms to IP66
- ABS

STANDARDS

- UL 1604 - Electrical Equipment for Class I & II Division 2 & Class III
- UL 1203 - Explosive And Dust Ignition Proof
- CSA Class 4418 02
- CSA Class 4418 82

TECHNICAL SPECIFICATIONS

BOX/COVER

Cast copper free aluminum.

HARDWARE

Stainless steel.

GASKET

One piece silicone.

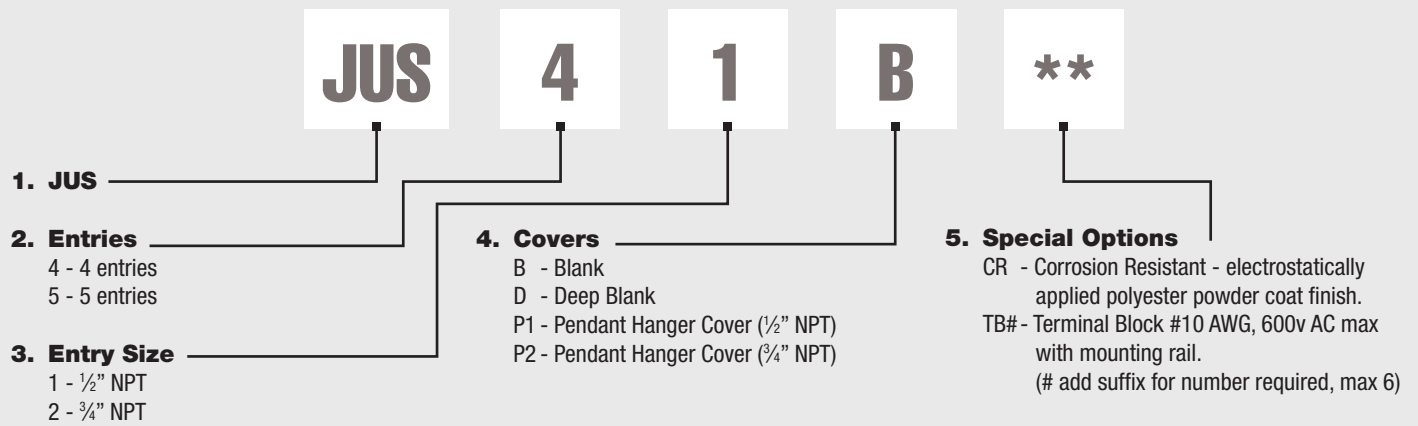
ENTRIES

See ORDERING REFERENCES.

MOUNTING

Surface via two maximum 1/4" mounting bolts (not included).

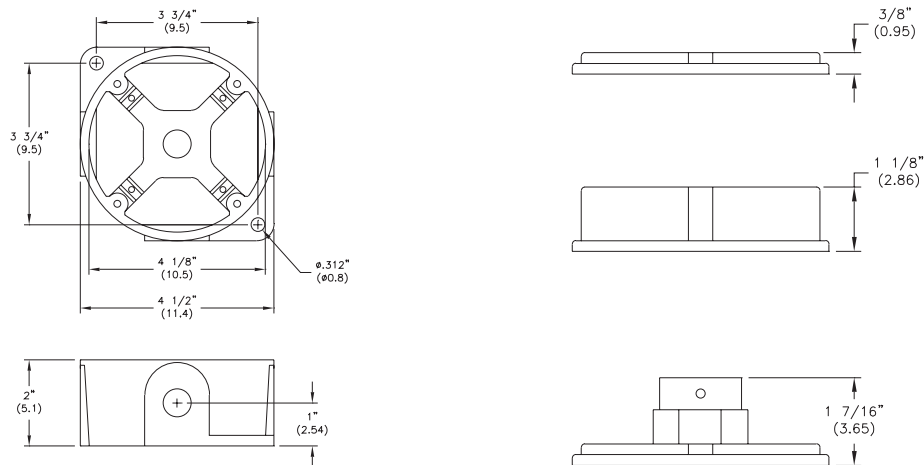
ORDERING REFERENCES



SPARE PARTS

Part No.	Description	Lbs	Kg
JUS-BC	Blank Cover	0.50	0.23
JUS-DC	Deep Blank Cover	0.75	0.34
JUS-HC12	Pendant Hanger Cover, 1/2" NPT	0.68	0.31
JUS-HC34	Pendant Hanger Cover, 3/4" NPT	0.68	0.31

DIMENSIONS



Dimensions in inches (cm)