

Condulet GUA conduit outlet boxes with covers – stainless steel

Cl. I, Div. 1 & 2, Groups C, D
 Cl. II, Div. 1, Groups E, F, G
 Cl. II, Div. 2, Groups F, G
 Cl. III
 NEMA 3, 4X

Explosionproof
 Dust-ignitionproof
 Raintight
 Wet Locations

3F
 3F

Applications:

GUA conduit outlet boxes are installed within hazardous area conduit systems to:

- Protect conductors in threaded rigid conduit
- Act as pull and splice boxes
- Connect lengths of conduit
- Change conduit direction
- Provide access to conductors for maintenance and future system changes

Features:

GUA conduit boxes have:

- Neoprene o-ring standard to meet NEMA 4X requirements
- Cast ears on cover to permit easy removal and tightening
- Internal green ground screw #10
- Threaded cover openings
- Five different hub arrangements
- Taper threaded hubs to provide grounding continuity
- Smooth integral hub bushing protects conductor insulation when pulling
- Surface covers furnished with boxes
- Cover threads are 12 pitch

Stainless steel benefits:

- Self-healing properties help reduce the penetration of rust/corrosion and eliminate damage to the fitting
- Retain strength in extreme heat and extreme cold conditions
- Surface is easy to maintain and keep clean
- Easy cleaning capabilities make these fittings perfect for food processing and other hygienic areas where wash downs are common
- Superior strength and durability greatly reduce replacement – this will lower your total cost of ownership and increase your return on investment
- Do not require harsh environment-damaging cleaners to keep them looking like new

Standard material:

- Bodies and covers – 316 stainless steel

Certifications and compliances:

NEC/CEC:

- Class I, Divisions 1 & 2, Groups C, D
- Class II, Division 1, Groups E, F, G
- Class II, Division 2, Groups F, G
- Class III

UL standard:

- UL1203

ANSI standard:

- C33.27

CSA standard:

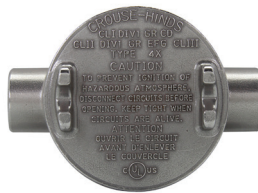
- C22.2 No. 30

Environmental ratings:

- NEMA/EEMAC 3, 4X

Ordering information:

GUAC



Hub size	Cover opening dia.	Cat. #
3/4"	3"	GUAC26 SS
1"	3"	GUAC36 SS

GUAL



Hub size	Cover opening dia.	Cat. #
3/4"	3"	GUAL26 SS
1"	3"	GUAL36 SS

GUAB



Hub size	Cover opening dia.	Cat. #
3/4"	3"	GUAB26 SS
1"	3"	GUAB36 SS

Accessories (ordered separately):

Description

Cat. #

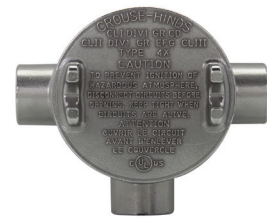
- 3/4" to 1/2" reducer **RDU303029**
See Section 4F for more information

GUAX



Hub size	Cover opening dia.	Cat. #
3/4"	3"	GUAX26 SS
1"	3"	GUAX36 SS

GUAT



Hub size	Cover opening dia.	Cat. #
3/4"	3"	GUAT26 SS
1"	3"	GUAT36 SS

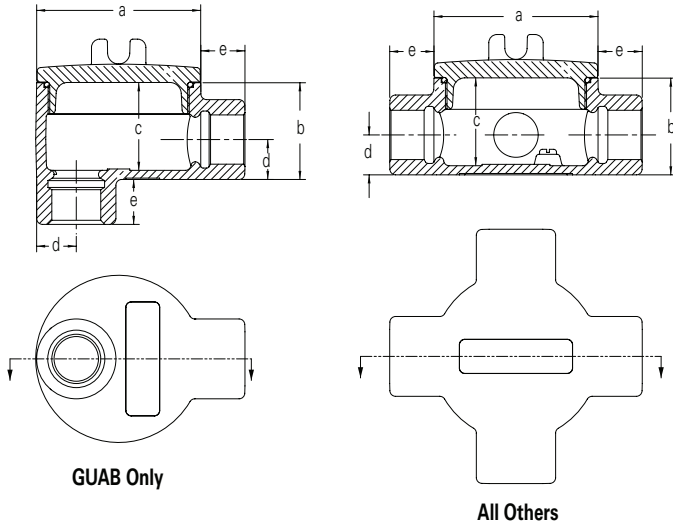
Condulet GUA conduit outlet boxes with covers – stainless steel

Cl. I, Div. 1 & 2, Groups C, D
 Cl. II, Div. 1, Groups E, F, G
 Cl. II, Div. 2, Groups F, G
 Cl. III
 NEMA 3, 4X

Explosionproof
 Dust-ignitionproof
 Raintight
 Wet Locations

3F

Dimensions (in inches):



Cat. #	a	b	c	d	e
GUAB26 SS	3.60	2.11	1.93	0.66	0.78
GUAB36 SS	3.60	2.11	1.93	0.88	0.97
GUAC26 SS	3.60	2.11	1.93	0.66	0.78
GUAC36 SS	3.60	2.11	1.93	0.88	0.97
GUAL26 SS	3.60	2.11	1.93	0.66	0.78
GUAL36 SS	3.60	2.11	1.93	0.88	0.97
GUAT26 SS	3.60	2.11	1.93	0.66	0.78
GUAT36 SS	3.60	2.11	1.93	0.88	0.97
GUAX26 SS	3.60	2.11	1.93	0.66	0.78
GUAX36 SS	3.60	2.11	1.93	0.88	0.97