

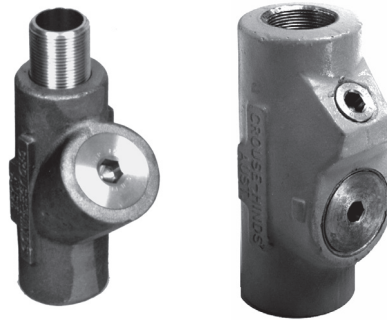
## Applications:

EYSA sealing fittings:

- Restrict the passage of gases, vapors or flames from one portion of the electrical installation to another at atmospheric pressure and normal ambient temperatures
- Limit explosions to the sealed off enclosure
- Prevent pre-compression or “pressure piling” in conduit systems

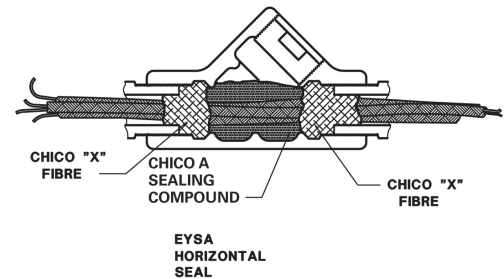
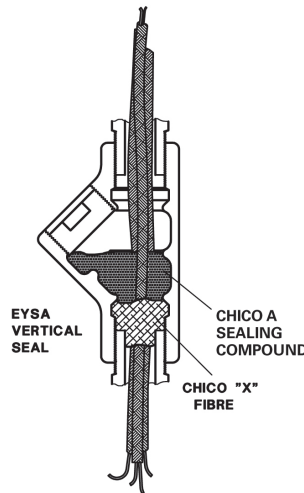
Sealing fittings are required:

- At each entrance to an enclosure housing an arcing or sparking device when used in Zone 1 hazardous locations to be located as close as practicable and, in no case, more than 450mm from such enclosures
- In conduit systems when leaving the Zone 1 area and entering an area of lesser hazard



## Features:

- Minimum turning radius
- Large openings with threaded closures to provide easy access to conduit hubs for making dams
- Integral bushings to protect conductor insulation from damage
- Removable male nipple supplied when male and female hub style is ordered



## Certifications and compliances:

- Type of protection: Ex d, DIP A21, T60°C, IP66
- Degree of protection: IP66
- Gas group: IIC
- Approvals: IEC Ex TSA07.0015-1

## Standard materials:

- Bodies – copper-free aluminum
- Removable nipples and plugs – brass

## Standard finishes:

- Body – polyurethane gray
- Nipples and plugs – natural

## Ordering information:

Entry size	Cat. # Female	Cat. # Male and female	Weight of sealing compound per seal (g)	Weight of Chico X fiber per seal (g)
20mm / 20mm	EYSA1M	EYSA16M	50	1.0
25mm / 25mm	EYSA2M	EYSA26M	100	2.0
32mm / 32mm	EYSA3M	EYSA36M	188	3.5
40mm / 40mm	EYSA4M	EYSA46M	406	7.0
50mm / 50mm	EYSA5M	EYSA56M	550	14.0
3/4" BSP / 3/4" BSP	EYSA2B	EYSA26B	100	2.0
20mm / 1/2" BSP	EYSA11MB	-	50	1.0
20mm / 3/4" BSP	EYSA12MB	-	50	1.0
25mm / 1/2" BSP	EYSA21MB	-	100	2.0
25mm / 3/4" BSP	EYSA22MB	-	100	2.0