

EAHC and EFHC luminaire hangers

For pendant mount

Cl. I, Div. 1 & 2, Groups A^a, B^a, C, D
Cl. II, Div. 1, Groups E, F, G
Cl. II, Div. 2, Groups F, G
Cl. III

Explosionproof
Dust-ignitionproof

7L

Applications:

EAHC and EFHC luminaire hangers are for use in hazardous areas to:

- Suspend explosionproof pendant luminaires from the conduit system
- Function as both conduit outlet box and luminaire hanger

Features:

- Through feed hubs are provided for threading the conduit directly into the hanger body
- Has large threaded cover for accessibility and ease of wiring
- Bottom hub, threaded or union style, is equipped with set screws to securely lock luminaire stem in place; takes conduit stem or EC flexible luminaire hanger for stems longer than 12" (in compliance with NEC Article 501 and CEC Part I, Section 18)

Certifications and compliances:

NEC/CEC:

EAHC:

- Class I, Groups A, B, C, D
- Class II, Groups E, F, G
- Class III

EFHC:

- Class I, Groups C, D
- Class II, Groups E, F, G
- Class III

UL standard:

- UL1203

CSA standard:

- C22.2 No. 30

Standard materials:

- Bodies – Feraloy iron alloy
- Covers – copper-free aluminum

Standard finishes:

- Feraloy – electrogalvanized and aluminum acrylic paint
- Copper-free aluminum – natural

Size ranges:

- Conduit hubs – 3/4" and 1"
- Luminaire stem – 1/2" and 3/4"
- Luminaire weight – 125 lbs.

EAHC and EFHC



With union hub



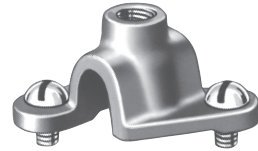
With threaded hub

Mounting strap



Mounting strap can be furnished to fasten luminaire hangers to mounting surface, independent of conduit straps. See Options section for ordering information.

Suspension attachment



EAHC and EFHC hangers can be furnished with a loop fastened to the top of the body to suspend luminaire and conduit from vertical support rods or horizontal span wires. The loop will take a wire or cable with a maximum diameter of 3/8". The boss on top of the loop is tapped 3/8"-16 to accept a threaded rod. See Options section for ordering information.

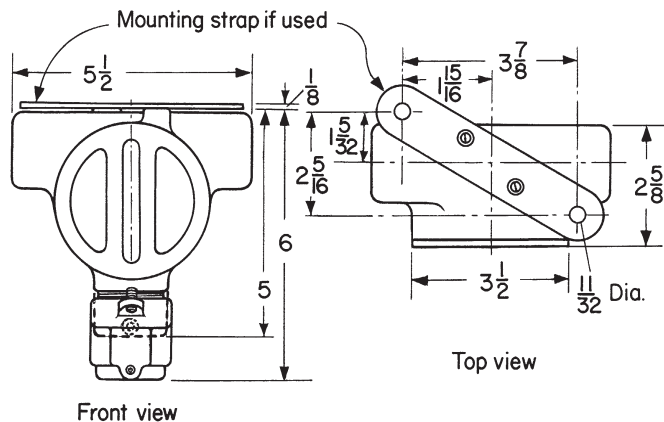
Ordering information:

Hub size	Luminaire stem size	Cat. # Threaded hub for luminaire stem	Cat. # Union hub for luminaire stem
EAHC			
3/4"	1/2"	EAHC2701	EAHC2601
	3/4"	EAHC2702	EAHC2602
1"	1/2"	EAHC3701	EAHC3601
	3/4"	EAHC3702	EAHC3602
EFHC			
3/4"	1/2"	EFHC2701	EFHC2601
	3/4"	EFHC2702	EFHC2602
1"	1/2"	EFHC3701	EFHC3601
	3/4"	EFHC3702	EFHC3602

Options:

- | Description | Suffix |
|---|-------------|
| • Corro-free epoxy enamel..... | S752 |
| • Suspension attachment for span wire or threaded rod (see listings)..... | S1 |
| • Mounting strap (see listings)..... | S294 |

Dimensions (in inches):



^aEAHC only.