

CH6DR ultra high pressure seal

Rated to 1500 PSI

Cl. I, Div. 1, Groups B, C, D
Certified to CSA Standards through QPS

5F
5F

Applications:

- If the primary seal in an instrument should fail, the ultra high pressure seal (UHPS) will prevent gases from migrating through the electrical system into a non-classified location
- Are designed to prevent the passage of gases under pressure through conduits, cables and conductors
- Are ideal where volatile liquids or gases are stored, processed or transported under pressure

Certifications and compliances:

- Class I, Division 1, Groups B, C, D
- Certified to CSA standards through QPS
- 24 VDC to 120 VAC
- Wire grade is rated to a 600 volt safety factor
- 1/2" MNPT x 1/2" NPT
- Conforms to Section 18-108 and 18-158 of the CEC® for The Requirements of a Secondary Seal

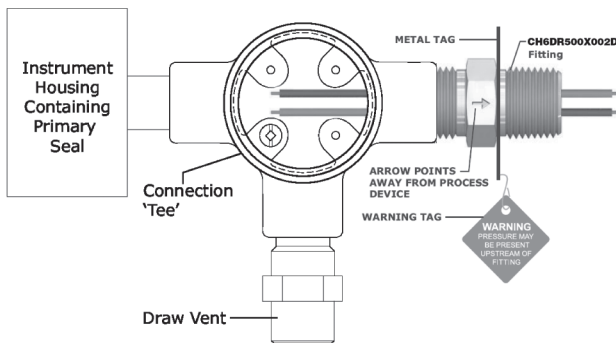
Standard material and finish:

- Body – stainless steel, natural finish

Quality assurance:

- Each fitting is tested at 1.5 times working pressure (max. working pressure 1500 PSI) as a gas and liquidtight explosionproof fitting
- Each seal is also dielectric and resistance tested

Installation example:



Ordering information:

Cat. #	Description
CH6DR500X002D14G	UHPS, 2-wire, 14 gauge
CH6DR500X002D16G	UHPS, 2-wire, 16 gauge
CH6DR500X002D18G	UHPS, 2-wire, 18 gauge
CH6DR500X002D22G	UHPS, 2-wire, 22 gauge
CH6DR500X004D14G	UHPS, 4-wire, 14 gauge
CH6DR500X004D16G	UHPS, 4-wire, 16 gauge
CH6DR500X004D18G	UHPS, 4-wire, 18 gauge
CH6DR500X004D22G	UHPS, 4-wire, 22 gauge
CH6DR500X234D14G	UHPS, 4-wire, 14G, 2' input, 3' output
CH6DR500X264D16G	UHPS, 4-wire, 16G, 2' input, 6' output
CH6DR500X294D16G	UHPS, 4-wire, 16G, 2' input, 9' output
CH6DR500X2D2D16G	UHPS, 2-wire, 16G, 2' input, CF output