

## Ordering information:

### ADE external clamping module (available with all ADE glands)



Cable range	Size	For hexagon	Width	Thickness	Cat. #
2.8 - 5.5	3	15.0	18.0	5.0	CAP810334
4.0 - 8.5	4	17.0	20.0	5.0	CAP810444
6.0 - 11.0	5	19.0	22.0	5.0	CAP810534
8.5 - 16.0	6	24.0	27.5	6.0	CAP810634
12.0 - 21.0	7	30.0	33.5	8.0	CAP810734
16.0 - 27.5	8	41.0	45.0	8.0	CAP810834
21.0 - 34.0	9	48.0	52.0	9.5	CAP810934
27.0 - 41.0	10	55.0	59.0	9.5	CAP811034
33.0 - 48.0	11	64.0	69.0	12.0	CAP811134
40.0 - 56.0	12	72.0	78.0	12.0	CAP811234
47.0 - 65.0	13	85.0	92.0	16.0	CAP811334
54.0 - 74.0	14	95.0	103.0	16.0	CAP811434
63.0 - 83.0	15	110.0	118.0	18.0	CAP811534
72.0 - 93.0	16	120.0	128.0	18.0	CAP811634

All dimensions in millimeters.

Material is nickel-plated brass with stainless steel washer and screws.

### ADE-4F and 5F lead sheath washer

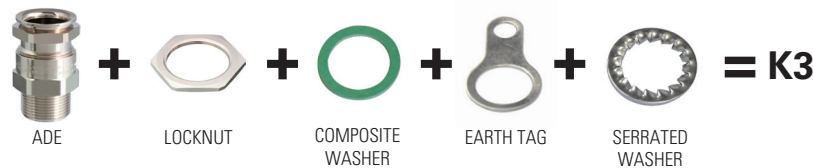
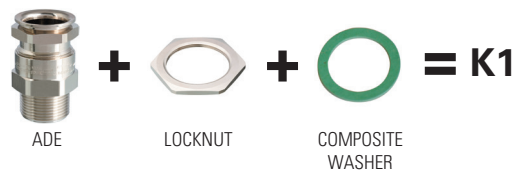


Gland size	Outer lead sheath		Cat. #
	Min.	Max.	
5	4.5	7.5	CAP560530
6	7.0	11.0	CAP560630
7	10.0	15.0	CAP560730
8	13.5	20.0	CAP560830
9	18.0	26.5	CAP560930
10	23.0	32.5	CAP561030
11	29.0	39.5	CAP561130
12	35.0	46.5	CAP561230
13	42.0	54.5	CAP561330
14	50.0	61.0	CAP561430
15	58.0	72.5	CAP561530
16	66.0	81.5	CAP561630

All dimensions in millimeters.

Material is natural brass.

### ADE/CAP standard and DTS kits



- K1, K2 and K3 kits are available for all ADE cable glands
- Deluge seal kits (DTSK1, DTSK2, DTSK3) are suitable for ADE-5F sizes 12 through 17 only
- To order kits with deluge seal, add prefix 'DTS' to catalog number before the kit number (for example: ADE5M752NPNDTSK2)

### ADE-5F deluge seal



Gland size	Cat. #
12	CAP850012
13	CAP850013
14	CAP850014
15	CAP850015
16	CAP850016
17	CAP850017

## Ordering information:

### Green composite washers

NPT thread size	D	Thickness (E)	Cat. #
1/4"	18.0	1.5	CAP239014
3/8"	22.0	1.5	CAP239038
1/2"	31.0	1.5	CAP239012
3/4"	35.0	1.5	CAP239034
1"	43.0	1.5	CAP239010
1 1/4"	59.0	1.5	CAP239114
1 1/2"	69.0	1.5	CAP239112
2"	79.0	2.0	CAP239020
2 1/2"	94.0	2.0	CAP239212
3"	110.0	2.0	CAP239300
3 1/2"	119.0	2.0	CAP239312
4"	130.0	2.0	CAP239414

All dimensions in millimeters.

Temperature range: -60°C to +140°C.

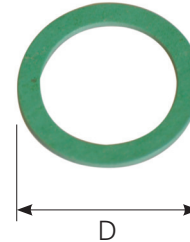
Outer diameter dimensions may be subject to change.

Metric thread size	D	Thickness (E)	Cat. #
10	15.0	1.2	CAP221045
12	18.0	1.2	CAP221245
16	22.0	1.2	CAP221645
20	27.0	1.2	CAP222045
25	35.0	1.5	CAP222545
32	43.0	1.5	CAP223245
40	55.0	1.5	CAP224045
50	69.0	1.5	CAP225045
63	82.0	2.0	CAP226345
75	94.0	2.0	CAP227545
90	110.0	2.0	CAP229045
110	130.0	2.0	CAP221145

All dimensions in millimeters.

Temperature range: -60°C to +140°C.

Outer diameter dimensions may be subject to change.



### Locknuts

NPT thread size	Cat. # Nickel-plated brass	Cat. # 316L stainless steel
1/2"	CAP280124	CAP280129
3/8"	CAP280134	CAP280139
1"	CAP280144	CAP280149
1 1/4"	CAP280154	CAP280159
1 1/2"	CAP280164	CAP280169
2"	CAP280174	CAP280179
2 1/2"	CAP280184	CAP280189
3"	CAP280194	CAP280199
3 1/2"	CAP280204	CAP280209
4"	CAP280214	CAP280219

All dimensions in millimeters.

Metric thread size	Cat. # Nickel-plated brass	Cat. # 316L stainless steel
16	CAP221694	CAP221699
20	CAP222094	CAP222099
25	CAP222594	CAP222599
32	CAP223294	CAP223299
40	CAP224094	CAP224099
50	CAP225094	CAP225099
63	CAP226394	CAP226399
75	CAP227594	CAP227599
90	CAP229094	CAP229099
110	CAP221104	CAP221109

All dimensions in millimeters.



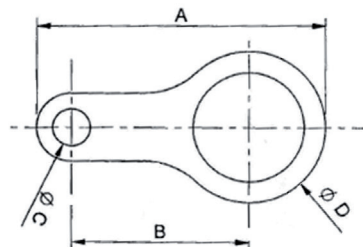
### Earth tags

NPT thread size	A	B	C	D	Cat. # Nickel-plated brass	Cat. # 316L stainless steel
1/2"	61.5	33.0	10.5	28.6	CAP567064	CAP567069
3/8"	73.0	36.0	12.2	34.0	CAP567084	CAP567089
1"	73.0	41.0	12.2	42.0	CAP567104	CAP567109
1 1/4"	86.5	44.5	13.5	54.0	CAP567134	CAP567139
1 1/2"	111.5	58.0	13.5	67.0	CAP567154	CAP567159
2"	125.5	67.0	13.5	77.0	CAP567174	CAP567179
2 1/2"	137.5	73.0	13.5	89.0	CAP567194	CAP567199
3"	167.0	93.0	13.5	109.5	CAP567214	CAP567219
3 1/2"	188.0	107.3	13.5	121.5	CAP567224	CAP567229
4"	214.0	125.0	13.5	138.0	CAP567244	CAP567249

All dimensions in millimeters.

Metric thread size	A	B	C	D	Cat. # Nickel-plated brass	Cat. # 316L stainless steel
16	48.5	30.0	6.5	24.5	CAP567034	CAP567039
20	53.8	33.0	7.0	28.6	CAP567054	CAP567059
25	61.5	36.0	10.5	34.0	CAP567074	CAP567079
32	73.0	41.0	12.2	42.0	CAP567094	CAP567099
40	86.5	44.5	13.5	54.0	CAP567124	CAP567129
50	111.5	58.0	13.5	67.0	CAP567154	CAP567159
63	125.5	67.0	13.5	77.0	CAP567184	CAP567189
75	137.5	73.0	13.5	89.0	CAP567194	CAP567199
90	167.0	93.0	13.5	109.5	CAP567214	CAP567219
110	214.0	125.0	13.5	138.0	CAP567234	CAP567239

All dimensions in millimeters.



## Ordering information (continued):

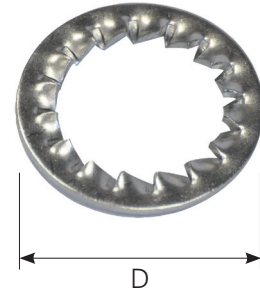
### Serrated washers

NPT thread size	D	Cat. # 316L stainless steel
1/2"	25.5	CAP290129
3/4"	32.5	CAP290139
1"	39.5	CAP290149
1 1/4"	49.5	CAP290159
1 1/2"	64.5	CAP290169
2"	80.5	CAP290179
2 1/2"	100.0	CAP290189
3"	112.0	CAP2901299

All dimensions in millimeters.

Metric thread size	D	Cat. # Galvanized steel	Cat. # 316L stainless steel
16	25.5	CAP280016	CAP280069
20	32.5	CAP280020	CAP280029
25	39.5	CAP280025	CAP280259
32	49.5	CAP280032	CAP280329
40	64.5	CAP280040	CAP280409
50	80.5	CAP280050	CAP280509
63	100.0	CAP280063	CAP280639
75	112.0	CAP280075	CAP280759
90	123.0	CAP280090	CAP280099

All dimensions in millimeters.

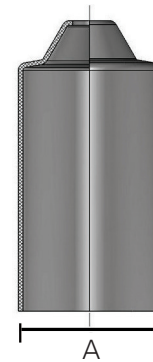


### Shrouds

ADE gland size	Diameter (A)	Cat. #
4	16.0	CAP506040
5	20.0	CAP506050
6	25.0	CAP506060
7	31.0	CAP506070
8	43.0	CAP506080
9	52.0	CAP506090
10	59.0	CAP506100
11	67.0	CAP506110
12	75.0	CAP506120
13	90.0	CAP506130
14	100.0	CAP506140
15	116.0	CAP506150
16	127.0	CAP506160

All dimensions in millimeters.

Material is PVC.



### HTL high temperature thread lubricant

#### Features:

HTL is a high temperature, anti-seize, conductive thread lubricant:

- Effective and stable from -70°F to +1800°F
- Prevents seizure, galling, rust, galvanic action
- Maintains grounding continuity; **should not be used on exposed current-carrying parts**
- Effective between parts made of dissimilar metals

Net wt.	Cat. #
4 oz. (tube)	HTL4

**Note:** Safety Data Sheets (SDS) are available at [www.crouse-hinds.com](http://www.crouse-hinds.com).



### TSC epoxy sealing compound

A two-part epoxy sealing compound may be used to seal ES sealing hubs. It is quick and easy to measure, mix and install. The compound is kneaded until a uniform color is obtained. It is then packed around the conductors to effectively seal the cable.



#### Features:

- Mixing time: 5 minutes
- Application: by hand
- Full cure time: 24 hours
- Available for installation in any orientation

Standard carton qty.	Tube size	Cat. # <sup>A</sup>
10	0.5 oz.	TSC05
10	1.0 oz.	TSC1
5	4.0 oz.	TSC4

<sup>A</sup> Order quantity of one (1) TSC05 or TSC1 equals ten (10) tubes; one (1) TSC4 equals five (5) 4.0 oz. tubes.

## Ordering information (continued):

### Locknuts

Metric entry diameter	Across flats hexagon	Thickness	Cat. #	Order unit
M12 x 1.5	17.0	5.0	<b>GHG 960 1941 R0031</b>	10
M16 x 1.5	22.0	5.0	<b>GHG 960 1941 R0032</b>	10
M20 x 1.5	26.0	6.0	<b>GHG 960 1941 R0033</b>	10
M25 x 1.5	32.0	6.0	<b>GHG 960 1941 R0034</b>	10
M32 x 1.5	41.0	7.0	<b>GHG 960 1941 R0035</b>	10
M40 x 1.5	50.0	7.0	<b>GHG 960 1941 R0036</b>	5
M50 x 1.5	60.0	8.0	<b>GHG 960 1941 R0037</b>	5
M63 x 1.5	75.0	8.0	<b>GHG 960 1941 R0038</b>	5

All dimensions in millimeters.

Material is polyamide.

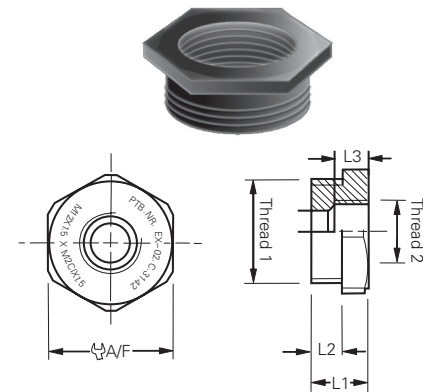


### Reducing rings

Thread 1	Thread 2	L1	L2	L3	Across flats	Cat. #
M20 x 1.5	M16 x 1.5	12.0	8.0	8.0	24.0	<b>GHG 960 1946 R0071</b>
M25 x 1.5	M20 x 1.5	14.0	8.0	8.0	29.0	<b>GHG 960 1946 R0072</b>
M32 x 1.5	M20 x 1.5	16.0	10.0	6.0	36.0	<b>GHG 960 1946 R0056</b>
M32 x 1.5	M25 x 1.5	16.0	10.0	10.0	36.0	<b>GHG 960 1946 R0074</b>
M40 x 1.5	M25 x 1.5	16.0	10.0	8.0	46.0	<b>GHG 960 1946 R0059</b>
M40 x 1.5	M32 x 1.5	16.0	10.0	10.0	46.0	<b>GHG 960 1946 R0077</b>
M50 x 1.5	M32 x 1.5	18.0	12.0	10.0	55.0	<b>GHG 960 1946 R0062</b>
M50 x 1.5	M40 x 1.5	18.0	12.0	10.0	68.0	<b>GHG 960 1946 R0080</b>
M63 x 1.5	M40 x 1.5	18.0	12.0	10.0	68.0	<b>GHG 960 1946 R0065</b>
M63 x 1.5	M50 x 1.5	18.0	12.0	12.0	68.0	<b>GHG 960 1946 R0083</b>

All dimensions in millimeters.

Material is polyamide.

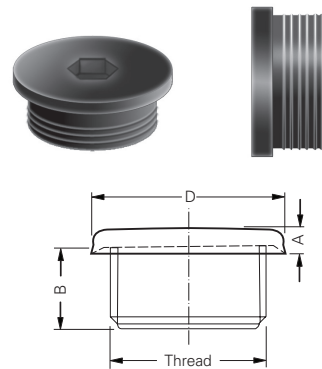


### Screw plugs

Thread 1	Diameter (D)	A	B	Cat. #
M16 x 1.5	21.5	4.0	12.0	<b>GHG 960 1952 R0111</b>
M20 x 1.5	25.5	4.0	13.0	<b>GHG 960 1952 R0112</b>
M25 x 1.5	30.5	4.0	13.0	<b>GHG 960 1952 R0113</b>
M32 x 1.5	37.5	5.5	15.0	<b>GHG 960 1952 R0114</b>
M40 x 1.5	45.5	5.5	15.0	<b>GHG 960 1952 R0115</b>
M50 x 1.5	55.5	5.5	16.0	<b>GHG 960 1952 R0116</b>
M63 x 1.5	85.0	6.5	16.0	<b>GHG 960 1952 R0117</b>

All dimensions in millimeters.

Material is polyamide.



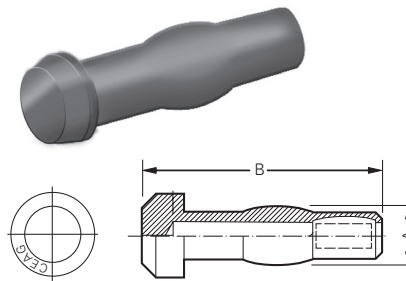
### Blanking plugs

Thread 1	Diameter	B	Cat. #
M12	6.0	30.3	<b>GHG 960 1944 R0101</b>
M16	7.0	33.0	<b>GHG 960 1944 R0102</b>
M20	8.5	34.5	<b>GHG 960 1944 R0103</b>
M25	11.0	36.0	<b>GHG 960 1944 R0104</b>
M32	14.0	39.5	<b>GHG 960 1944 R0105</b>
M40	20.0	42.0	<b>GHG 960 1944 R0106</b>
M50	26.0	44.0	<b>GHG 960 1944 R0107</b>
M63	34.0	45.0	<b>GHG 960 1944 R0108</b>

All dimensions in millimeters.

Material is polyamide.

Used for sealing unused cable glands.



## Barrier compounds and Cold Shrink kit

2G

### Ordering information:

#### Chico LiquidSeal

##### Features:

- Mixing time: 2 minutes
- Application: pour/gun
- Gel time: 15-30 minutes<sup>B</sup>
- Full cure/return to service time: 2 hours<sup>B</sup>
- Available for installation in vertical position
- Integral dam means no packing or taping to prevent liquid leakage



Standard carton qty.	Size (ml.)	Cat. #
10	10	LSC 10
10	20	LSC 20
5	75	LSC 75

#### Chico LiquidSeal 200 ml. cartridge

##### Features:

- Easily and quickly pour multiple glands
- Self-mixing nozzles
- Gel time: 15-30 minutes<sup>B</sup>
- Full cure/return to service time: 2 hours<sup>B</sup>
- Can be stored between uses
- 1/2" to 1 1/4" in aluminum TMCX II now available bulk packed without compound (LSC200CART ordered separately)



Applicator gun not included

Standard carton qty.	Description	Cat. #
1	200 ml. liquid compound cartridge and three (3) mixing nozzles	LSC200CART
5	Replacement mixing nozzles	LSCTIP

#### Bulk pack glands

Standard carton qty.	Description	Cat. #
20	1/2" cable glands without compound	TMCX050 0 BULK
15	3/4" cable glands without compound	TMCX075 0 BULK
15	1" cable glands without compound	TMCX100 0 BULK
20	1/2" cable glands without compound	TMCX050 1 BULK
15	3/4" cable glands without compound	TMCX075 1 BULK
10	1" cable glands without compound	TMCX100 1 BULK
10	1 1/4" cable glands without compound	TMCX125 1 BULK

#### Cold Shrink™ kit

Cat. #	Connector O.D. (in.)	Length of tubing (in.)	TMC	TMCX	TMCX II	TECK
TMC K1	1.38	6.00	TMC165	TMCX165	—	TECK050 1
TMC K2	1.63	6.00	TMC285	TMCX285	TMCX050 0, TMCX075 0	TECK050 2 - TECK050 4
TMC K3	2.00	6.00	TMC3112	TMCX3112	TMCX100 0, TMCX050 1, TMCX075 1	—
TMC K4	2.44	6.00	TMC4140	TMCX4140	TMCX050 2, TMCX075 2, TMCX100 1	TECK075, TECK100 7
TMC K5	2.75	7.00	TMC5161	TMCX5161	TMCX100 2, TMCX125 1	—
TMC K6	3.50	9.00	TMC6206	TMCX6206	—	TECK125 (all)
TMC K7	4.00	10.00	TMC7247	TMCX7247	TMCX125 2, TMCX150 1	TECK150 11, TECK150 12
TMC K8	4.88	12.00	TMC8302	TMCX8302	TMCX150 2, TMCX200 1	TECK200 13 - TECK250 18
TMC K9	5.38	15.00	TMC9352	TMCX9352	TMCX200 2, TMCX250 1	TECK300 20, TECK300 21
TMC K10	5.88	15.00	TMC10402	TMCX10402	TMCX250 2, TMCX300 1	—

Cold Shrink corrosion protection kits are specially designed for Eaton's Crouse-Hinds series TMC, TMCX and TECK glands to provide protection against corrosive elements like salt spray and moisture. The kit is made of a cold shrink material (EPDM rubber) that is quick and easy to install on the gland, and contains no chlorides or sulfurs. The kit installs easily over the gland without the use of a heat source to shrink the material tightly over the seal. The material can be removed easily from the gland by simply cutting it off. Cold Shrink is a registered trademark of the 3M Company.

<sup>B</sup> At 20°C ambient temperature.