

AL flexible luminaire hangers

For pendant mount

Features:

- Functions as both conduit outlet box and luminaire hanger; hubs are provided for threading the conduit directly into the hanger body; for use with incandescent, HID and fluorescent luminaires
- Supporting nipple, ball or cushion type, is a universal joint permitting luminaire to swing through an angle of 20° in any direction from the perpendicular
- Cover has one screw hole and one open slot – easily swung aside for wiring without removal and possible loss of cover
- Luminaire, conduit stem and nipple can be assembled and wired at the work bench; the assembly is then placed in the hanger body and luminaire wires spliced to the circuit wires
- Provided with a separate grounding wire for ground connections

Standard materials:

- Body – Feraloy iron alloy
- Nipple – malleable iron
- Cover – sheet steel

Standard finishes:

- Feraloy and malleable iron – zinc electroplate and aluminum acrylic paint
- Sheet steel – electrogalvanized with chromate finish

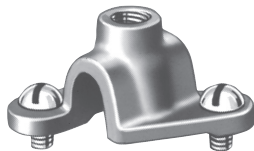
Size ranges:

- Conduit hubs – 3/4" to 1"
- Luminaire stem – 1/2" and 3/4"
- Luminaire weights – cushion type: 3 to 48 lbs.; ball type: 125 lbs.

Options:

- Description** **Suffix**
- Suspension attachment for span wire or threaded rod (see details below)..... **S1**

Suspension attachment (For horizontal cable or vertical support rod)



AL hangers can be furnished with a loop fastened to the top of the body to provide a means for suspending luminaires from vertical support rods or horizontal span wires. The loop will take a wire or cable with a maximum diameter of 3/8". The boss on top of the loop is tapped 3/8"-16 to accept a threaded rod.

Ordering information:

ALC



Ball

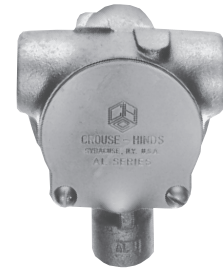


Cushion

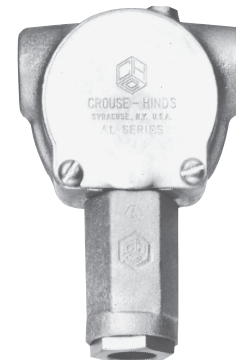
Ball		
Luminaire stem size	Conduit size	Cat. #
1/2"	3/4"	ALC21
3/4"	3/4"	ALC22
3/4"	1"	ALC32

Cushion			
Luminaire stem size	Conduit size	Luminaire weight (lbs.)	Cat. #
1/2"	3/4"	3-6	ALC214
3/4"	3/4"		ALC224
3/4"	1"		ALC324
1/2"	3/4"	6-12	ALC218
3/4"	3/4"		ALC228
3/4"	1"		ALC328
1/2"	3/4"	12-24	ALC2116
3/4"	3/4"		ALC2216
3/4"	1"		ALC3216
1/2"	3/4"	24-48	ALC2132
3/4"	3/4"		ALC2232
3/4"	1"		ALC3232

ALT



Ball



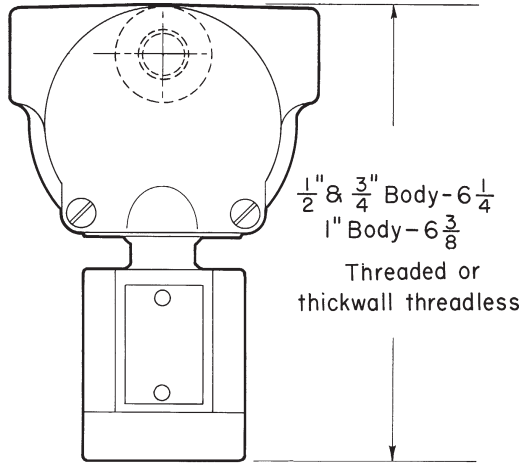
Cushion

Ball		
Luminaire stem size	Conduit size	Cat. #
1/2"	3/4"	ALT21
3/4"	3/4"	ALT22
3/4"	1"	ALT32

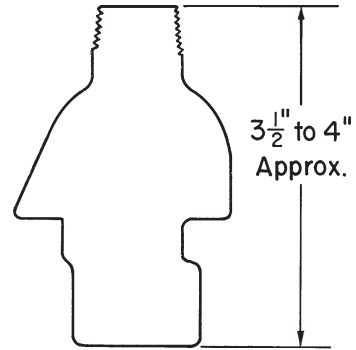
Cushion			
Luminaire stem size	Conduit size	Luminaire weight (lbs.)	Cat. #
1/2"	3/4"	3-6	ALT214
3/4"	3/4"		ALT224
3/4"	1"		ALT324
1/2"	3/4"	6-12	ALT218
3/4"	3/4"		ALT228
3/4"	1"		ALT328
1/2"	3/4"	12-24	ALT2116
3/4"	3/4"		ALT2216
3/4"	1"		ALT3216
1/2"	3/4"	24-48	ALT2132
3/4"	3/4"		ALT2232
3/4"	1"		ALT3232

For pendant mount

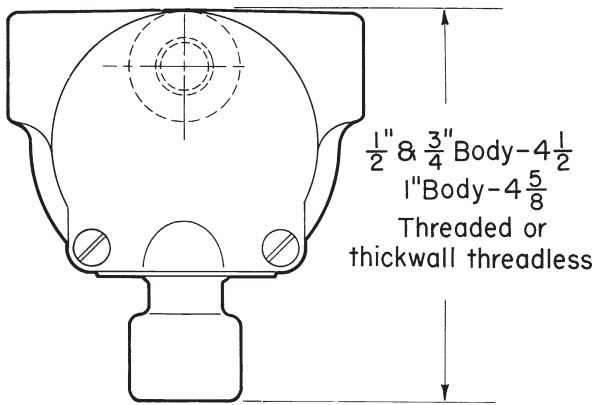
Dimensions (in inches):



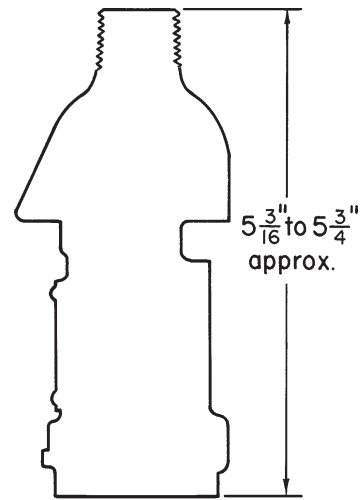
AL series - cushion



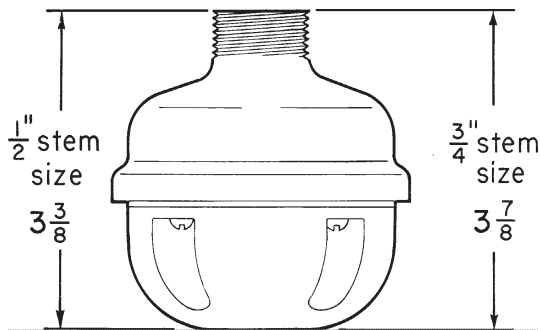
UNJ



AL series - ball



UNJC



AHG

7L