

AHG, UNJ and UNJC flexible luminaire hangers

For pendant mount

AHG – Cl. I, Div. 2, Groups A, B, C, D
Cl. II, Div. 2, Groups F, G
Cl. III

Wet Locations; NEMA 3, 3R
UNJ, UNJC – Cl. I, Div. 2, Groups A, B, C, D

7L

Features:

- For connection to conduit hub or hub cover of supporting conduit fitting
- For incandescent, HID and fluorescent luminaires
- Cushion support for conduit stem is a universal joint permitting luminaire to swing through an angle of 8° in any direction from the perpendicular
- Gasketed by means of a durable neoprene diaphragm which excludes moisture and dirt from both luminaire and conduit system

Certifications and compliances:

- Class I, Division 2
- Class II, Division 2
- Class III
- Wet locations
- NEMA 3, 3R

Standard materials:

- Housing – copper-free aluminum; Feraloy iron alloy available upon request

Standard finish:

- Copper-free aluminum – natural

Size ranges:

- Male nipple – 3/4"
- Luminaire stem – 3/4"
- Luminaire weight – 4 to 30 lbs.

AHG



Ordering information:

Luminaire stem size	Male nipple size	Luminaire weight (lbs.)	Cat. #
3/4"	3/4"	4-16	AHG22104 SA
3/4"	3/4"	16-30	AHG22111 SA

Features:

- For connection to conduit hub or hub cover of supporting conduit fitting
- For incandescent, HID and fluorescent luminaires
- Supporting nipple, ball or cushion type, is a universal joint permitting luminaires to swing through an angle of 20° in any direction from the perpendicular

Certifications and compliances:

NEC:

- Class I, Division 2

Standard materials:

- Body and nipple – malleable iron
- Clamp – copper-free aluminum

Standard finishes:

- Malleable iron – electrogalvanized and aluminum acrylic paint
- Copper-free aluminum – natural finish

Size ranges:

- Male nipple – 1/2" and 3/4"
- Luminaire stem – 1/2" and 3/4"
- Luminaire weights – cushion type: 6 to 48 lbs.; ball type: 125 lbs.

Ordering information:

UNJ



Ball		
Luminaire stem size	Male nipple size	Cat. #
1/2"	1/2"	UNJ1
3/4"	3/4"	UNJ2

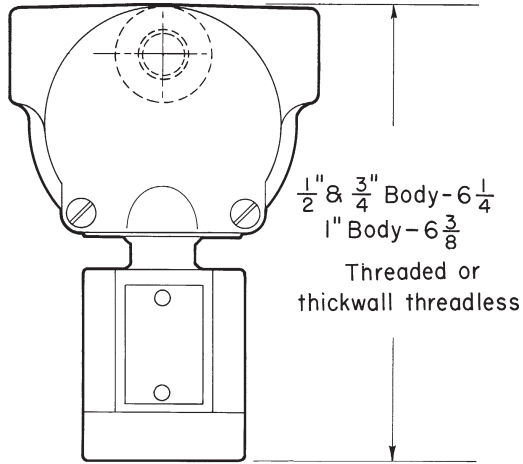
UNJC



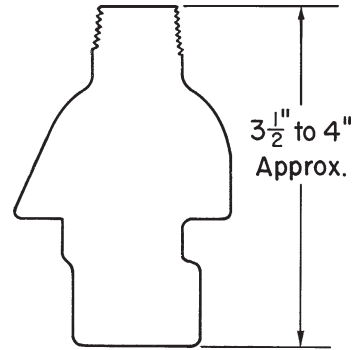
Cushion			
Luminaire stem size	Male nipple size	Luminaire weight (lbs.)	Cat. #
3/4"	3/4"	6-12	UNJC28
3/4"	3/4"	12-24	UNJC216
1/2"	1/2"	24-48	UNJC132
3/4"	3/4"	24-48	UNJC232

For pendant mount

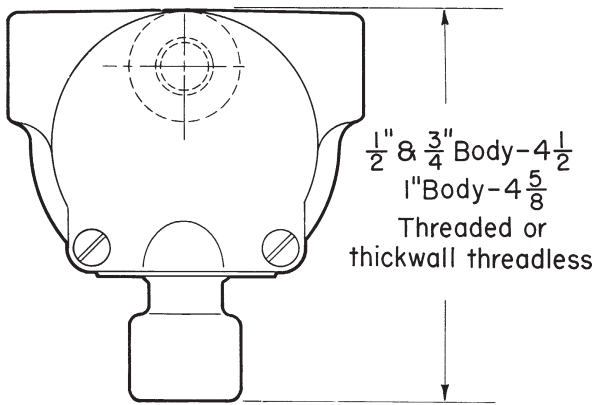
Dimensions (in inches):



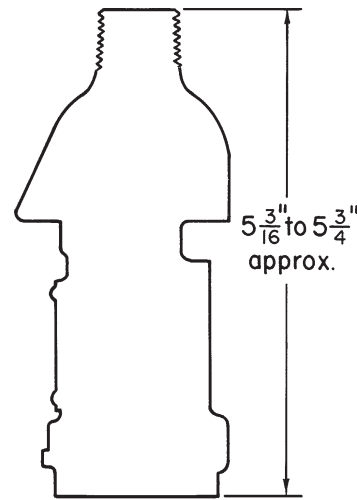
AL series - cushion



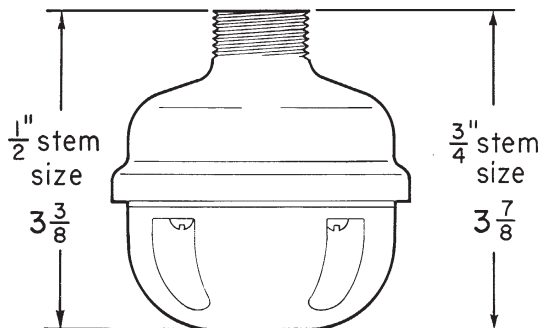
UNJ



AL series - ball



UNJC



AHG

ARB flexible luminaire hangers

For pendant mount

Features:

- Available in two styles – one for direct attachment to GRF cast outlet boxes by four screws, the other for direct attachment to 4" octagonal stamped steel outlet boxes by two screws; for incandescent, HID and fluorescent luminaires
- Both styles available with ball or cushion support for conduit stem to permit luminaire swing in any direction; ball type provides 11° swing, cushion type 8° swing from the perpendicular
- Gasketed cushion hangers for GRF are provided with a durable neoprene diaphragm, which excludes moisture and dirt from both luminaire and conduit system

Standard materials:

- Mounting plate for GRF – Feraloy iron alloy; for 4" outlet boxes – sheet steel
- Hanger body and luminaire stem support – Feraloy iron alloy

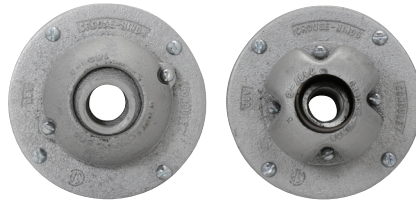
Standard finishes:

- Feraloy – electrogalvanized and aluminum acrylic paint
- Sheet steel – electrogalvanized with chromate finish

Size ranges:

- Luminaire stem – 1/2" and 3/4"
- Luminaire weights – cushion type: 4 to 30 lbs.; ball type: 125 lbs. (ARB6 and ARB2 maximum weight 60 lbs.)

For GRF and VXF outlet boxes only



Ball

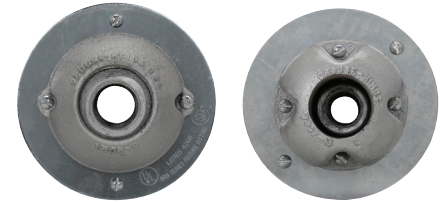
Cushion

Ordering information – ARB fits GRF and VXF outlet boxes:

Ball			
Description	Luminaire stem size	Max. luminaire weight (lbs.)	Cat. #
Surface	1/2"	125	ARB62
Flush	1/2"	125	ARB67
Surface	3/4"	125	ARB662

Cushion			
Luminaire stem size	Luminaire weight (lbs.)	Cat. #	
1/2"	4-8	ARB82	
1/2"	8-16	ARB102	
1/2"	16-30	ARB122	

For GRF and VXF outlet boxes and 4" octagonal outlet boxes



Ball

Cushion

Ordering information – ARB fits GRF, VXF and 4" outlet boxes:

Ball		
Luminaire stem size	Max. luminaire weight (lbs.)	Cat. #
1/2"	60	ARB6
3/4"	60	ARB2

Cushion		
Luminaire stem size	Luminaire weight (lbs.)	Cat. #
1/2"	4-8	ARB8
1/2"	8-16	ARB10
1/2"	16-30	ARB12

Ordering information – cushion surface – vaportight with neoprene diaphragm:



Luminaire stem size	Luminaire weight (lbs.)	Cat. #
1/2"	4-8	ARB821
1/2"	8-16	ARB1021
1/2"	16-30	ARB1221

