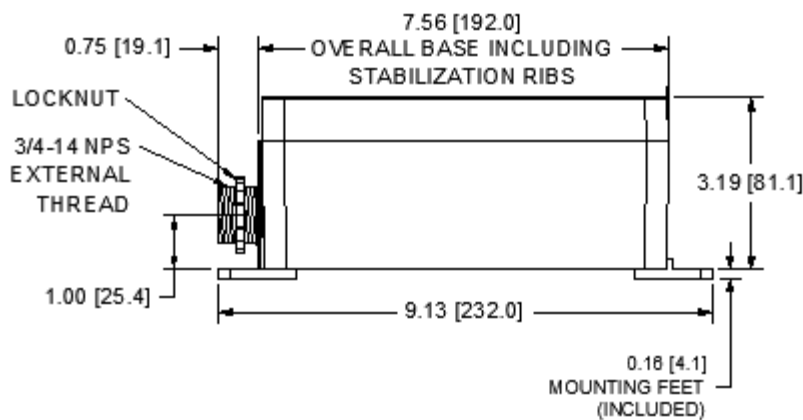


LED Color States	
Green	Fully protected
Yellow	Loss of Neutral to Ground protection
Red	Loss of protection

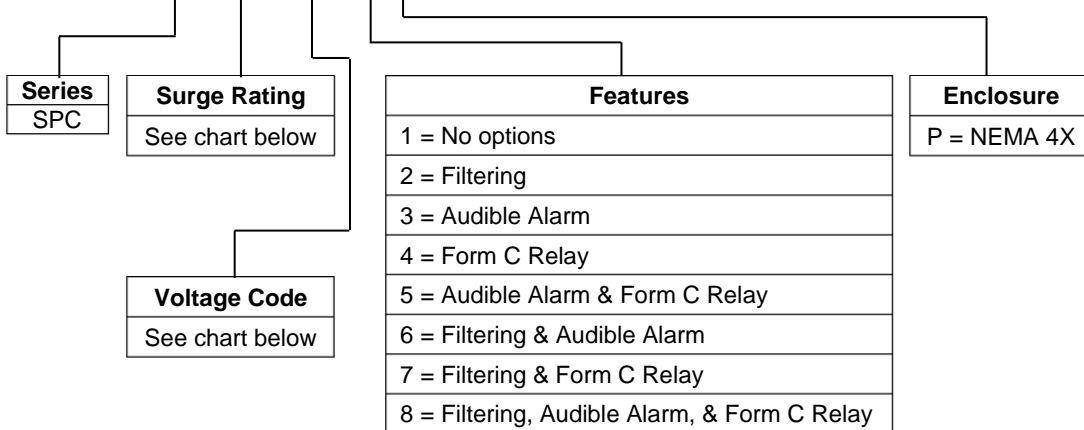


Notes:

1. To maximize the SPD's performance, wire length should be less than 14" (35cm) twisted and bound together when installed
2. UL1449 4th Edition Type 1 and Type 2, CSA Type 1 and Type 2, UL1283 6th Edition Co-Listed
3. Mounting feet required for NEMA 4X
4. Optional flush mount plate (Catalog # - FLUSHMNTPLATE14)

SPC Catalog Number Selection

SPC 120 208Y 8 P



P2 Enclosure Configurations	
Voltage Code	Surge Rating (kA per phase)
240S	120 – 200
208Y/415Y/480Y/600Y	120 – 200
240D/480D	120 – 200
600D	050 – 200
240H	120 – 200

EATON CORPORATION - CONFIDENTIAL AND PROPRIETARY			
<small>NOTICE TO PERSONS RECEIVING THIS DOCUMENT AND/OR TECHNICAL INFORMATION THIS DOCUMENT, INCLUDING THE DRAWING AND INFORMATION CONTAINED THEREIN, IS CONFIDENTIAL AND IS THE EXCLUSIVE PROPERTY OF EATON CORPORATION, AND IS HEREBY ON LEASE AND SUBJECT TO RECALL BY EATON AT ANY TIME. BY TAKING POSSESSION OF THIS DOCUMENT, THE RECIPIENT ACKNOWLEDGES AND AGREES THAT THIS DOCUMENT CANNOT BE USED IN ANY MANNER ADVERSE TO THE INTERESTS OF EATON AND THAT NO PORTION OF THIS DOCUMENT MAY BE COPIED OR OTHERWISE REPRODUCED WITHOUT THE PRIOR WRITTEN CONSENT OF EATON. IN THE CASE OF CONFLICTING CONTRACTUAL PROVISIONS, THIS NOTICE SHALL GOVERN THE STATUS OF THIS DOCUMENT.</small>			
EATON			
TITLE SURGE PROTECTIVE DEVICES			
SPC P2 ASSEMBLY			
		DWG NO	MKT-DL-15-001
PARTS LIST		PRODUCT CODE	SHEET NO
MKT-DL-15-001			1 OF 1