

Reliable, cost-effective surge protection



Eaton's SP1 is a UL® 1449 4th Edition-listed surge protective device that provides reliable, cost-effective surge protection. This Type 1 SPD is capable of being installed on either the line or load side of the service entrance disconnect and can be used as a replacement for devices formerly known as secondary surge arrestors or lightning arrestors, which could not be manufactured after UL 1449 4th Edition went into effect on September 29, 2009. The unit is available in many common voltages and configurations. Multiple mounting options coupled with a compact footprint enables installation of the SP1 in a wide range of applications, including panelboards, loadcenters, pump panels, control cabinets, and other electrical assemblies and applications.

Installation and operation

Installation and operation of the SP1 is simple. The unit comes pre-wired with 24 inches of 12-gauge wire and is mounted via the 1/2-inch nipple that is molded into its enclosure. Wall or DIN rail mounting can also be accomplished with the addition of an optional kit. When powered, the unit's light-emitting diode (LED) indicator reports the status of the protection elements and is active when all of them are intact and providing protection. Any loss of protection is signaled when the LED extinguishes.

Features

- Type 1 SPD capable of installation on either the line or load side of the service entrance disconnect
- 20 kA nominal discharge current rating (I_n) on most models
- 50 kA per phase surge current capacity
- Compact footprint—4.8" L x 2.9" W x 2.5" D
- Pre-wired with 24 inches of 12-gauge wire
- 1/2-inch nipple molded into enclosure enables quick and easy mounting
- Optional kit enables wall or DIN rail mounting
- Can be used for UL 96A compliance
- Can be used for NFPA 780 compliance
- 2-year warranty

Standards and certifications

- UL 1449 4th Edition and UL 1283 7th Edition listed device



Powering Business Worldwide

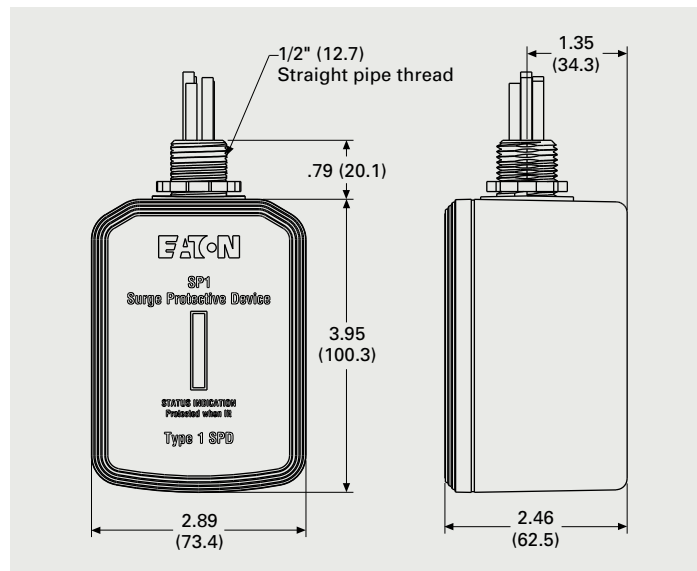
Specifications

Description	Ratings
Surge current capacity per phase	50 kA
Nominal discharge current (I _n)	20 kA for SP1-240S, 208Y, 480Y, 240D and 480D 10 kA for SP1-600Y and 600D
Short-circuit current rating (SCCR)	200 kA
SPD type	Type 1 (can also be used in Type 2 applications)
System voltages available (Vac)	120/240 120/208, 277/480, 347/600 240, 480, 600
Protection modes	
Single split-phase and three-phase wye	L-N, L-L
Three-phase delta	L-G, L-L
Maximum continuous operating voltage (MCOV)	
SP1-240S and SP1-208Y	150 L-N, 300 L-L
SP1-480Y	320 L-N, 640 L-G
SP1-600Y	420 L-N, 840 L-G
SP1-240D	300 L-G, 300 L-L
SP1-480D	640 L-G, 640 L-L
SP1-600D	840 L-G, 840 L-L
Input power frequency	50/60 Hz
Enclosure rating	NEMA® 4
Operating temperature	-20 °C to +50 °C (-4 °F to +122 °F)
Operating humidity	5–95%, noncondensing
Operating altitude	Up to 16,000 ft (5000m)
Agency certification and approvals	UL 1449 4th Edition and UL 1283 7th Edition listed device
Warranty	2 years

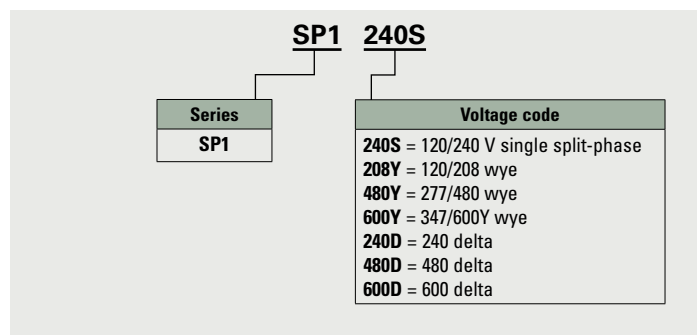
ANSI/UL 1449 4th Edition voltage protection ratings

Protection mode			
L-N	L-G	L-L	Catalog number
600	N/A	1000	SP1-240S
600	N/A	1000	SP1-208Y
1200	N/A	2000	SP1-480Y
1500	N/A	2500	SP1-600Y
N/A	1000	1000	SP1-240D
N/A	2000	2000	SP1-480D
N/A	2500	2500	SP1-600D

SP1 dimensions—inches (millimeters)



SP1 catalog number configuration



SP1MNTGKIT = optional wall or DIN rail mounting kit
(order separately—not included with SP1 unit)

Technical support information

If you have any questions or need additional information, please contact EatonCare Canada at [1-800-268-3578](tel:1-800-268-3578). You may also submit inquiries via email: cscanada@eaton.com.

Eaton
Electrical Sector
Canadian Operations
5050 Mainway
Burlington, ON L7L 5Z1
Canada
EatonCanada.ca

© 2023 Eaton
All rights reserved
Printed in Canada
Publication number: SA010015EN
July 2023

EATON
Powering Business Worldwide

For more information, visit
eatoncanada.ca/surge



Eaton is a registered trademark.

All other trademarks are property of their respective owners.

Follow us on social media to get the latest product and support information.

