

4

3

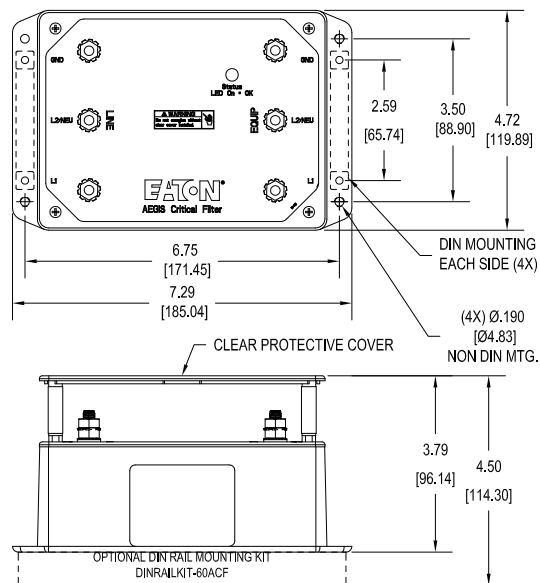


2

1

B

B



A

A

1

REVISION
ECO-055804

2

ECO-086471
07/30/2015
ADDED DIN RAIL KIT NUMBER.
REVISED TITLE.
DENNIS BAKER
PAUL COLBAUGH
THOMAS YOUNG

UNLESS OTHERWISE
SPECIFIED

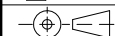
DIMENSIONS IN INCHES

ONE PLACE DEC ±0.1
TWO PLACE DEC ±0.02
THREE PLACE DEC ±0.005
ANGLES ±0.5
VOLTAGE ±5%
RESISTANCE ±10%
AMPERAGE ±2%
FORCE, TORQUE, SPEED ±10%
TIME ±1%
TEMPERATURE ±3°C/±5°F

DIMENSIONS TO BE INTERPRETED
IN ACCORDANCE WITH
ASME Y14.5M-1994

(XXX±XX) SYMBOL DEFINITIONS
PER DRAWING 65A2750

(ST)



THIRD ANGLE
PROJECTION

DRAFTER/DESIGNER

PAC/DB

DATE

10/09/2013

APPD

PAUL COLBAUGH

10/09/2013

APPD

THOMAS YOUNG

10/09/2013

ENGR REF

NEXT ASSY

TOOL REF

DSPEC

EATON CORPORATION - CONFIDENTIAL AND PROPRIETARY

NOTICE TO PERSONS RECEIVING THIS DOCUMENT AND/OR TECHNICAL INFORMATION THIS DOCUMENT, INCLUDING THE DRAWING AND INFORMATION CONTAINED THEREON, IS CONFIDENTIAL AND IS THE EXCLUSIVE PROPERTY OF EATON CORPORATION, AND IS MERELY ON LOAN AND SUBJECT TO RECALL BY EATON AT ANY TIME. BY TAKING POSSESSION OF THIS DOCUMENT, THE RECIPIENT ACKNOWLEDGES AND AGREES THAT THIS DOCUMENT CANNOT BE USED IN ANY MANNER ADVERSE TO THE INTERESTS OF EATON AND THAT NO PORTION OF THIS DOCUMENT MAY BE COPIED OR OTHERWISE REPRODUCED WITHOUT THE PRIOR WRITTEN CONSENT OF EATON. IN THE CASE OF CONFLICTING CONTRACTUAL PROVISIONS, THIS NOTICE SHALL GOVERN THE STATUS OF THIS DOCUMENT.

EATON

TITLE

AEGIS POWERLINE FILTER
AGCFxxx60 Series Outline & Dimensions
24, 48 VDC & 120, 230 VAC / 60A

SIZE
A

DIRECTORY
ENOVIA

DWG NO

TD158021EN

SCALE

1:4

PARTS LIST

PRODUCT CODE

SHEET NO

1 OF 1

LAST SAVED:
8/6/2015

4

3



2

© 2008 Eaton Corporation, All Rights Reserved
TD158021EN.DWG