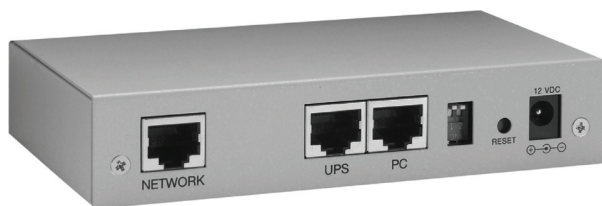




Powerware

Quick Start Instructions

ConnectUPS-E Models



Package Contents

- Powerware® ConnectUPS™ Web/SNMP Adapter
- Male DB-9 to RJ-45 Serial Cable with Detachable DC Power Cable
- Female DB-9 to RJ-45 Serial Cable (labeled "PC")
- External Power Supply with Detachable Power Cord
- Software Suite CD with User Guide PDF
- Quick Start Instructions
- Ethernet Cable

Checklist

1. Verify that all of the following items are available:

- ConnectUPS Web/SNMP Adapter package contents (see front cover)
- Phillips screwdriver
- Microsoft® Windows® operating system (for other operating systems, see the help file on the Software Suite CD)
- Available serial port (RS-232)
- HyperTerminal® (ships with Windows) or equivalent terminal emulation application
- Internet Explorer Web browser

2. Contact your local network administrator for the following mandatory network settings:

- IP Address (static address*) . . .
- Gateway IP Address . . .
- Network Mask IP Address . . .

* If you are setting up the ConnectUPS Adapter in a DHCP environment, the network administrator must set up the DHCP server to provide a static address each time the adapter makes a DHCP request. Provide the network administrator with the adapter's MAC address (on the bottom of the adapter):

- MAC address

3. If you need e-mail functionality, obtain the following network settings (either SMTP only or DNS and Host Name):

- SMTP (mail server) IP Address . . .
- DNS (name server) IP Address . . .
- Host Name

Refer to the *ConnectUPS Web/SNMP Card User's Guide* PDF on the Software Suite CD for detailed setup information.

4. List the applicable UPS load segment (receptacle group) connections (refer to the UPS user's guide to see if load segments are available for your UPS):

- Load Segment 1 is connected to
- Load Segment 2 is connected to
- Load Segment 3 is connected to

Examples of load segment equipment connections are "CPU MX1," "Monitor MX1," and "Router San Diego 1."

Section 1

Install the Adapter—Powerware 9305 UPS

The hot-swappable ConnectUPS-E can be installed without turning off the UPS or disconnecting the load.

To install the ConnectUPS-E with a Powerware 9305 UPS:

1. Verify that both DIP switches on the adapter are set to the **0** (off) position (see Figure 1).

NOTE If you are setting up the ConnectUPS Adapter in a DHCP environment, set DIP switch 2 to the **1** (on) position.

2. Open or remove the UPS front cover and locate the female, 9-pin, RS-232 port (labeled X100). See Figure 2.

3. **If the X100 port is available**, use the supplied, unlabeled serial cable to connect the UPS port on the ConnectUPS-E to the female, 9-pin, RS-232 port on the UPS (see Figure 3).

Insert the DC power cable into the power inlet on the ConnectUPS-E (labeled "12 VDC").

Plug the other end of the DC power cable into the UPS serial cable. Continue to Step 5.

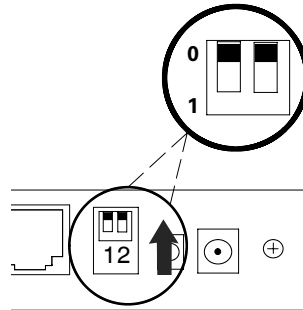


Figure 1. Verify DIP Switches

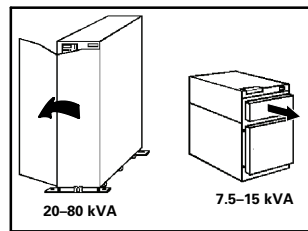


Figure 2. Open or Remove the UPS Front Cover

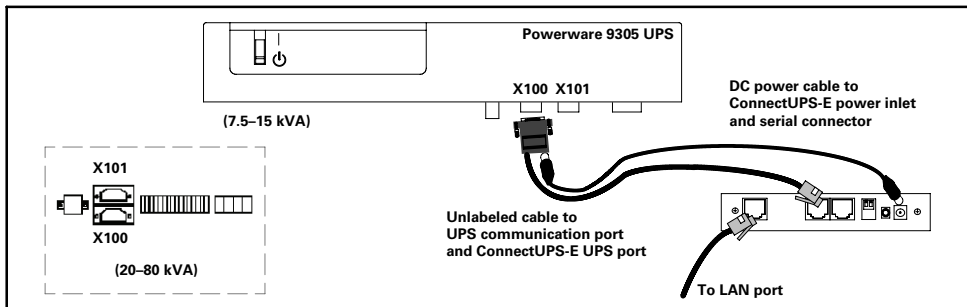


Figure 3. Installing the ConnectUPS-E with a Powerware 9305 UPS

-
4. **If the X100 port is not available**, use the supplied serial cable (labeled "PC") to connect the UPS port on the ConnectUPS-E to the male, 9-pin, RS-232 port (labeled X101) on the UPS (see Figure 4).

Insert the external power supply cord into the power inlet on the ConnectUPS-E (labeled "12 VDC").

Plug one end of the detachable power cord into the external power supply.

Plug the other end of the power cord into a UPS-protected receptacle.

5. Replace the UPS front cover.
6. Connect an active Ethernet cable (supplied) to the network connector on the ConnectUPS-E.
7. To configure the adapter locally using the supplied serial cable, continue to "Connect the Adapter" on page 7.

To configure the adapter remotely through a network using a Web browser or Telnet (or similar) utility, refer to the *ConnectUPS Web/SNMP Card User's Guide* PDF on the Software Suite CD.

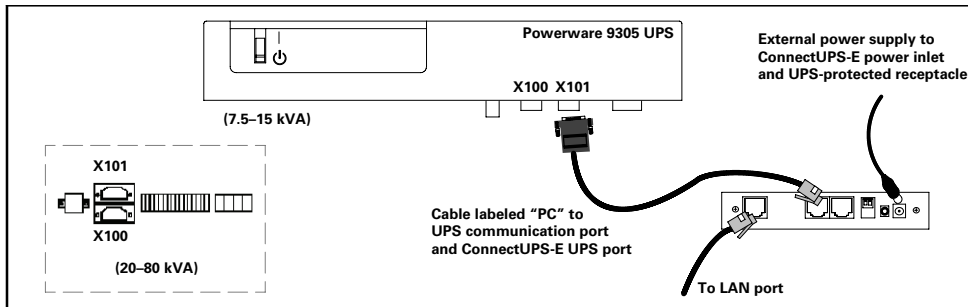


Figure 4. Alternate Installation with a Powerware 9305 UPS

Section 2

Install the Adapter – Powerware 9150 UPS

The hot-swappable ConnectUPS-E can be installed without turning off the UPS or disconnecting the load.

To install the ConnectUPS-E with a Powerware 9150 UPS:

1. Verify that both DIP switches on the adapter are set to the **0** (off) position (see Figure 5).

NOTE If you are setting up the ConnectUPS Adapter in a DHCP environment, set DIP switch 2 to the **1** (on) position.

2. Remove the UPS front cover and locate the female, 9-pin, RS-232 port (see Figure 6).
3. **If the female port is available**, use the supplied, unlabeled serial cable to connect the UPS port on the ConnectUPS-E to the female, 9-pin, RS-232 port on the UPS (see Figure 7). Continue to Step 5.
4. **If the female port is not available**, use the supplied serial cable (labeled “PC”) to connect the UPS port on the ConnectUPS-E to the male, 9-pin, RS-232 port on the UPS (see Figure 8).

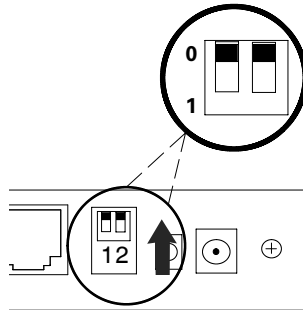


Figure 5. Verify DIP Switches

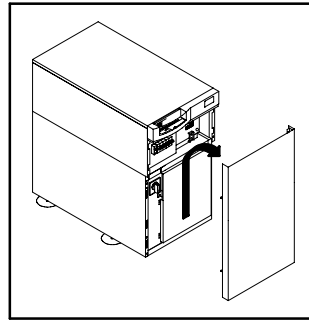


Figure 6. Remove the UPS Front Cover

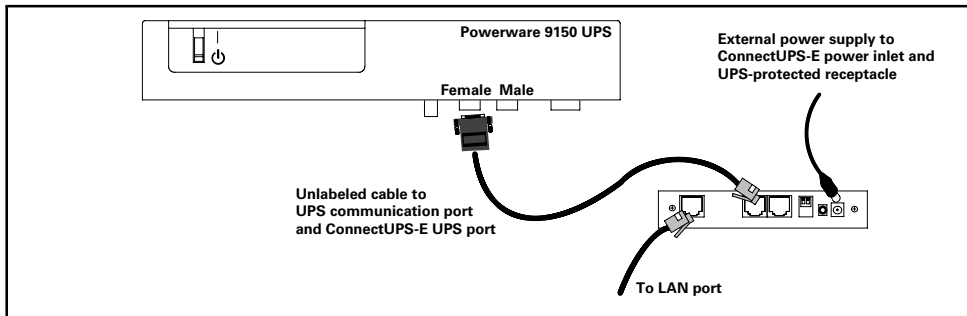


Figure 7. Installing the ConnectUPS-E with a Powerware 9150 UPS

NOTE The supplied external power supply **MUST** be used with the Powerware 9150 UPS. **DO NOT** plug the DC power cable into the serial cable.

5. Insert the external power supply cord into the power inlet on the ConnectUPS-E (labeled "12 VDC").
6. Plug one end of the detachable power cord into the external power supply.
7. Plug the other end of the power cord into a UPS-protected receptacle.
8. Replace the UPS front cover.
9. Connect an active Ethernet cable (supplied) to the network connector on the ConnectUPS-E.
10. To configure the adapter locally using the supplied serial cable, continue to the following section, "Connect the Adapter."

To configure the adapter remotely through a network using a Web browser or Telnet (or similar) utility, refer to the *ConnectUPS Web/SNMP Card User's Guide* PDF on the Software Suite CD.

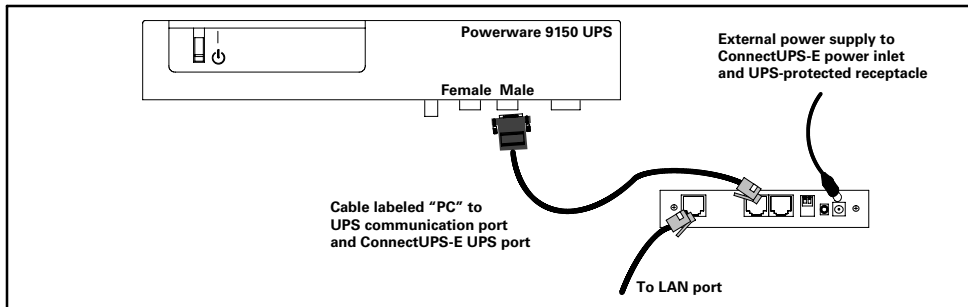


Figure 8. Alternate Installation with a Powerware 9150 UPS

Section 3

Connect the Adapter

NOTE If you used the serial cable labeled “PC” in the ConnectUPS-E installation, temporarily remove the cable from the UPS and adapter. When configuration is complete, plug the serial cable back into the UPS (X101/male port) and the ConnectUPS-E UPS port.

To connect the adapter to the computer and start the configuration:

1. Plug the RJ-45 end of the supplied serial cable (labeled “PC”) into the PC port on the adapter.

Verify that you have used the port labeled “PC.” The other port on the adapter will not work for configuration.
2. Plug the other end of the serial cable into the serial COM port on the computer.
3. Open your terminal emulation program (such as HyperTerminal).
4. Select the appropriate serial connection (such as COM1). See Figure 9.
5. Set the serial line to 9600 baud, No parity, 8 data bits, 1 stop bit, and no flow control (see Figure 10).
6. Verify that the UPS is turned on.



Figure 9. Select Connection

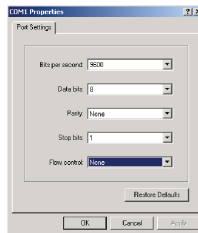


Figure 10. Configure Port Settings

7. After a few seconds, press Enter. The Password prompt appears (see Figure 11).

If the Password prompt does not appear, press Enter again. If it still does not appear, check the following conditions:

- Verify the serial line is set to 9600 baud, No parity, 8 data bits, 1 stop bit, and no flow control.
- If the serial line settings are correct, check the cabling to verify all connections are secure.
- Verify that your terminal program is on the correct communication port for the serial connection.
- Verify that the adapter has power (one or more LEDs on the adapter are illuminated). The UPS should be turned on.

8. Type your *password* (the default is *admin*) and press Enter. The Main Menu screen appears.

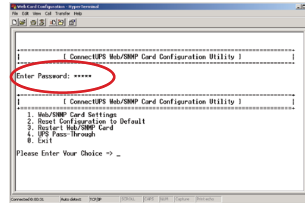


Figure 11. Enter Configuration Password

Section 4

Configure the Adapter

To configure the adapter after you have connected it:

1. Type **1** on the Main Menu to display the Web/SNMP Adapter Settings screen (see Figure 12).
2. Type **1** to display the Set the IP Address, Gateway Address and MIB System Group screen (see Figure 13).
3. To set the IP Address, type **1** and press **Enter**. Type the IP Address and press **Enter** (see the Checklist).
4. Type **0** to return to the previous menu.
5. Repeat Steps 3 and 4 to set the Gateway Address and Network Mask.
6. Change any other options as needed for your particular configuration by typing the corresponding number shown in the menu.
7. Type **0** until you return to the Main Menu (see Figure 14).
8. Type **0** to save all settings and exit the adapter configuration.
9. Verify network communication by using a Web browser (see Figure 15). Type the IP Address of your adapter and select **Go**. The ConnectUPS Adapter summary page opens.

NOTE Once the adapter is reachable on the network, you can use a Web browser, Telnet, or similar utility to adjust any of the configuration settings. The menus are identical to those seen during serial configuration and are password-protected for Superuser access only.

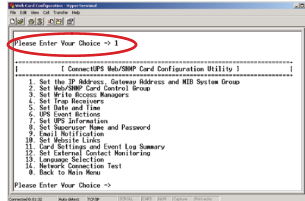


Figure 12. Configure Adapter Settings

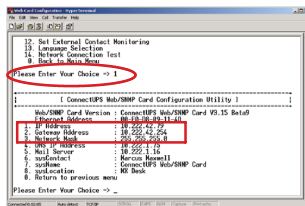


Figure 13. Set ConnectUPS Adapter IP Address

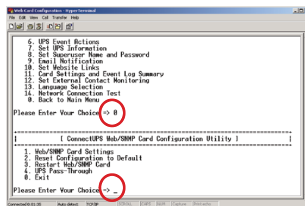


Figure 14. Save and Exit

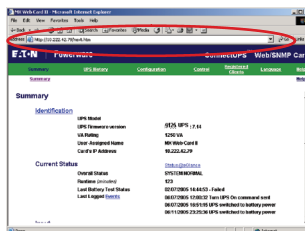


Figure 15. ConnectUPS Adapter Summary Page

Section 5

Install Shutdown Software

NOTE The following procedure applies to NetWatch shutdown software for Microsoft Windows operating systems. For other operating systems, refer to the NetWatch help file on the CD.

NOTE For other software, such as Powerware LanSafe® Power Management Software or PowerVision® Software, refer to those user guides for instructions.

Use the following procedure to install NetWatch software after you have installed and configured the adapter:

1. Insert the Software Suite CD into the computer's CD-ROM drive. The CD menu displays after a few seconds.
2. Select **Software Wizard** from the Main Menu.
3. Select **Install NetWatch** (see Figure 16).
4. Select the operating system.
5. Select **Launch the Installer** (see Figure 17).
6. Select **Open** in the File Download dialog box and follow the installation instructions until the Select Powerware Shutdown Server window displays (see Figure 18).
7. Select **Manually Enter IP Address for the Shutdown Server**.
8. Type the IP Address of the adapter and select **OK**.
9. Select the correct UPS load segment that your computer's power cord is plugged into and select **OK** (see Figure 19).



Figure 16. Install NetWatch Software

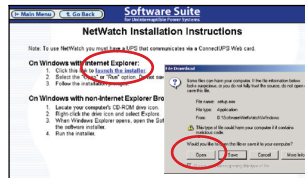


Figure 17. Launch NetWatch Software

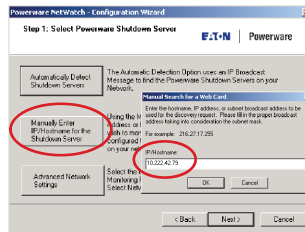


Figure 18. Enter ConnectUPS Adapter IP Address

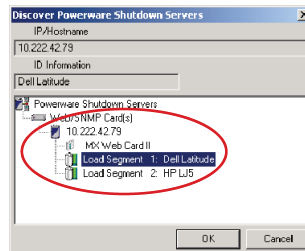


Figure 19. Select UPS Load Segment

10. Select your preferred method of shutting down your system (see Figure 20). The default selection is recommended. Select **Next**.
11. The Event and Logging Options dialog opens (see Figure 21). Select **Next**.
12. Verify the configuration settings are correct and select **Finish** (see Figure 22).
13. A pop-up message indicates that communication with the adapter is established (see Figure 23). Select **Clear** to acknowledge the message.
14. Repeat Steps 1 through 13 on all computers powered by the corresponding UPS using this specific adapter.

NetWatch installation and configuration is now complete.

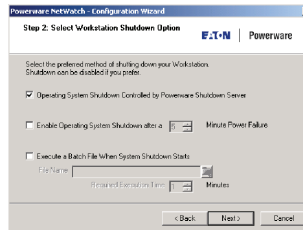


Figure 20. Select Shutdown Option

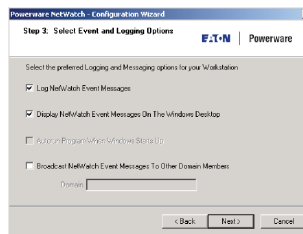


Figure 21. Select Event and Logging Options

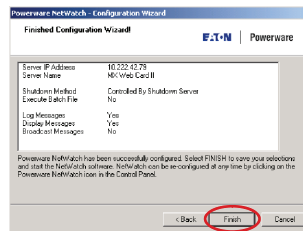


Figure 22. Verify Configuration Settings

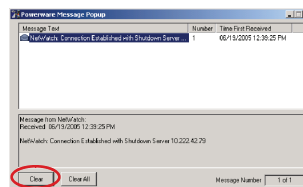


Figure 23. Clear Communication Message

Powerware, LanSafe, and PowerVision are registered trademarks and ConnectUPS is a trademark of Eaton Power Quality Corporation. Microsoft and Windows are registered trademarks of Microsoft Corporation. HyperTerminal is a registered trademark of Hilgraeve.

HELP DESK NUMBERS:

UNITED STATES
1.800.356.5737
or 919.870.3149

ALL OTHER COUNTRIES
Call your local sales
representative

CANADA
1.800.461.9166 ext. 260

www.powerware.com



Powerware

© 2006 Eaton Corporation
All Rights Reserved
164950186 Rev A