

VIEW WITHOUT DOORS AND PANELS

GENERAL NOTES:

1. ENCLOSURE: NEMA 1 RATED
2. ALL DOOR HAVE LOCKABLE HANDLE WITH COMMON KEY
3. ALL BUS IS SILVER-PLATED COPPER, BASED ON 1000A/ SQ IN.
4. WEIGHT : 5000 LBS.. ESTIMATED
OPERATING AMBIENT TEMPERATURE 0C TO 40C (32 F TO 104F)
HEAT DISSIPATION AT FULL RATE: 30,709 BTU/Hr
5. FINISH:
EXTERIOR PANELS: PEARL WHITE - PHTI-60016
FRAME: CARBIDE BLACK - EBT2C0000
6. RECOMMENDED MINIMUM CLEARANCE :
FRONT : 36 "
SIDE : 6"
7. CABLE ENTRANCE THOUGH BOTTOM AS SHOWN PUNCH COVER PANELS AS REQUIRED FOR CONDUITS ENTRY/EXIT

UNLESS OTHERWISE SPECIFIED: DIMENSIONS ARE IN INCHES [] IN MILLIMETER ANGULAR: ±0.5° BEND ±1° TWO PLACE DECIMAL ±0.02 THREE PLACE DECIMAL ±0.005		THIS DRAWING CONTAINS CONFIDENTIAL & PROPRIETARY INFORMATION AND SHALL NOT BE DISCLOSED OR COPIED WITHOUT THE EXPRESSED, WRITTEN PERMISSION OF SMITHS POWER		
DO NOT SCALE DRAWING		TITLE: WALL MOUNT, 225A, MISSION CRITICAL (2) 225A PANEL BOARDS WITH BCMS		
APPROVALS		DATE		SIZE DWG. NO. REV B RPP18711 A
DRAWN				
CHECKED				
ENG. APPR.				
		PART NO.		SHEET 1 OF 2

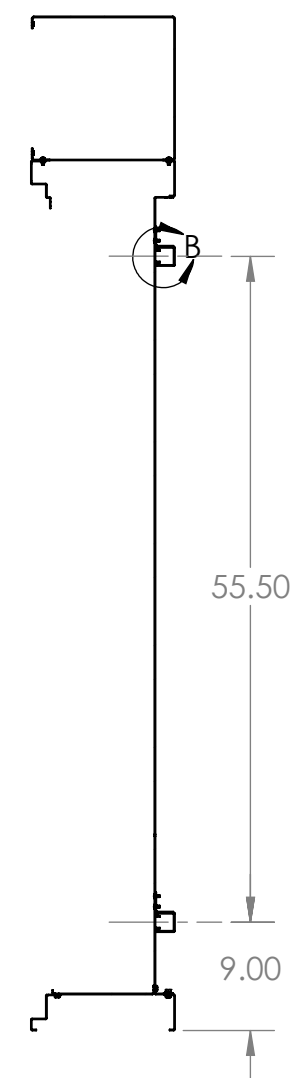
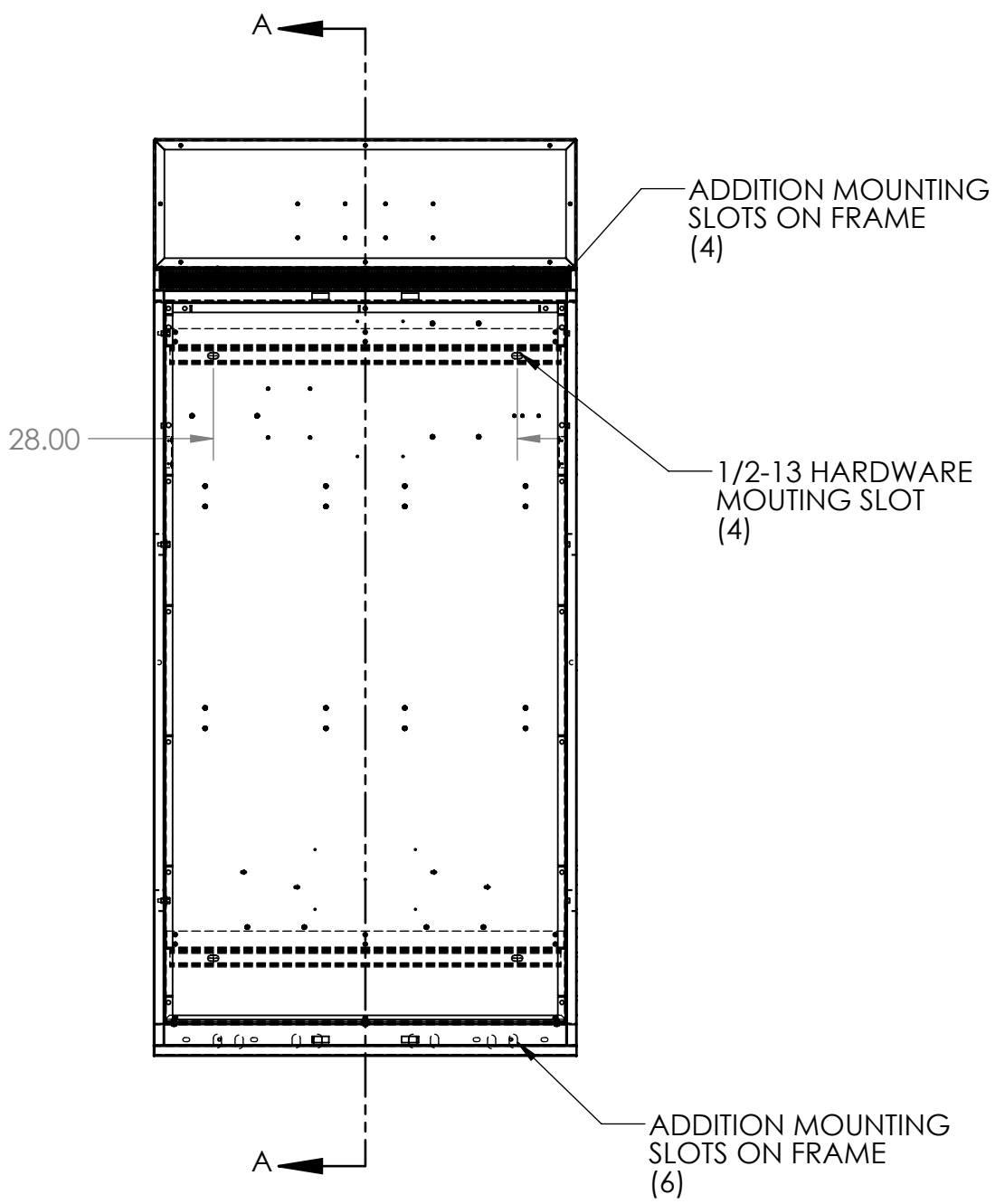
8 7 6 5 4 3 2 1

D D

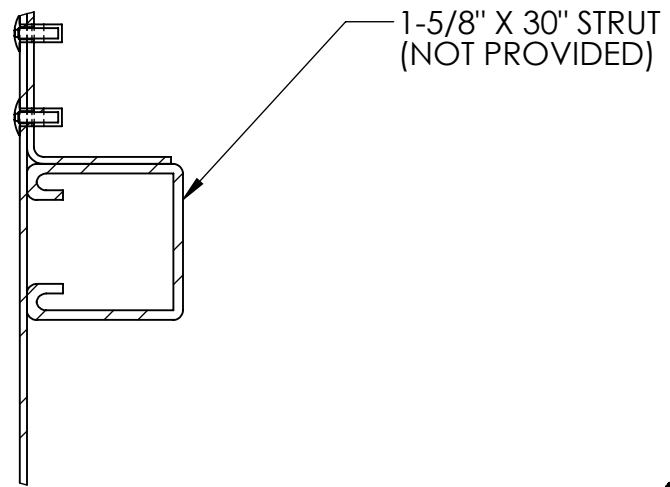
C C

B B

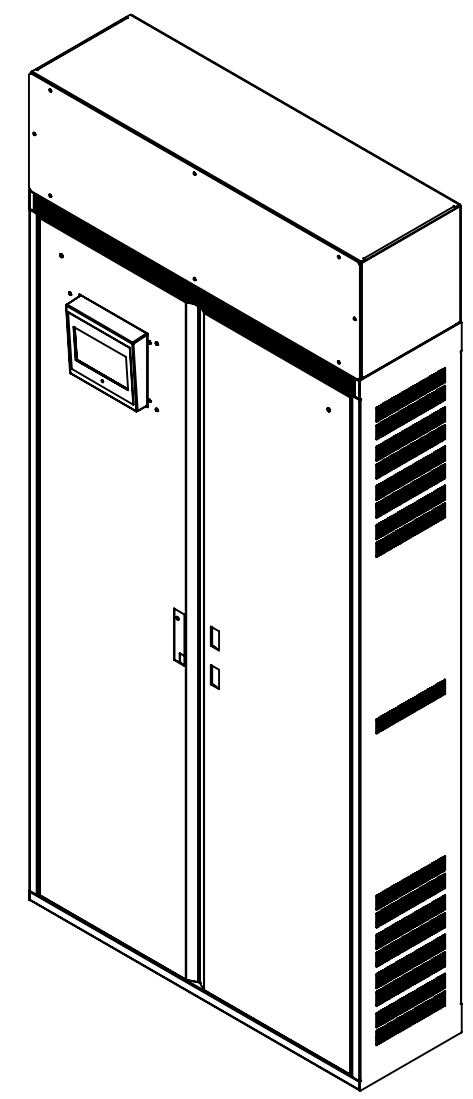
A A



SECTION A-A
SCALE 1 : 16



DETAIL B
SCALE 1 : 2



RECOMMEND INSTALLATION

SIZE B	DWG. NO. RPP18711	REV A
PART NO. RPP18711		SHEET 2 OF 2

8 7 6 5 4 3 2 1