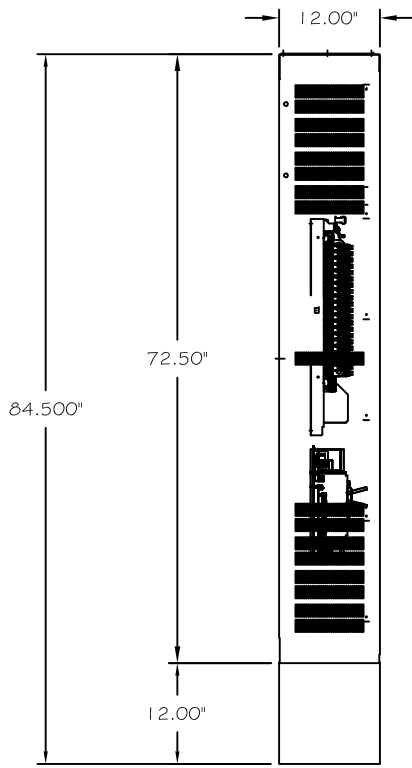


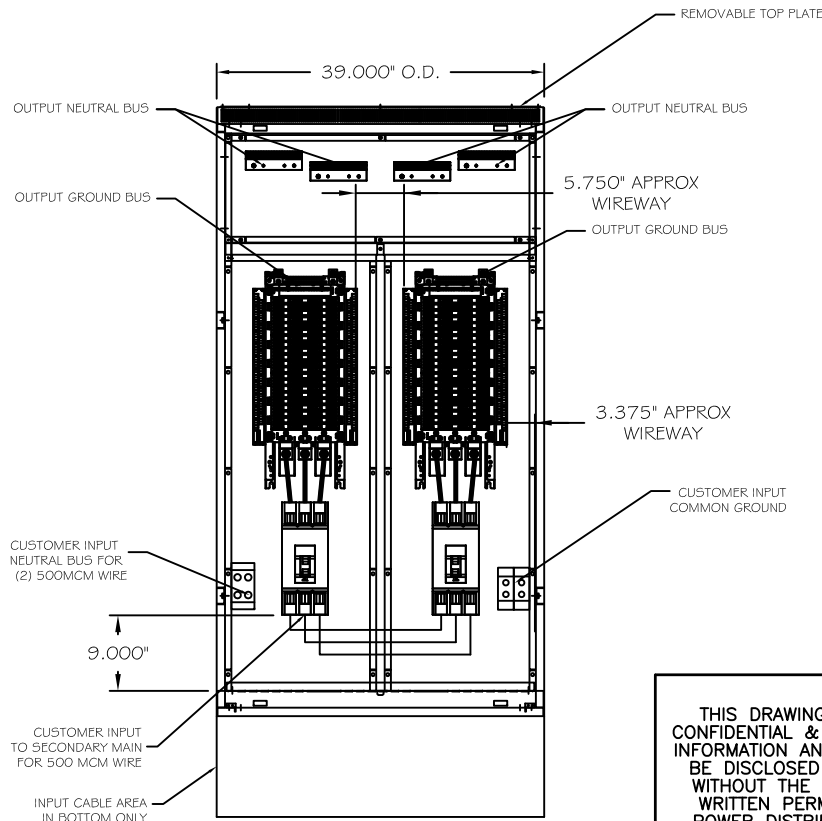
PLAN VIEW

NOTES:

1. PDI WAVESTAR LCD MONITOR.
2. 225A SECONDARY MAIN CIRCUIT BREAKERS.
3. 225A 42 POLE DISTRIBUTION PANELBOARDS.
4. CT STRIPS FOR BCMS.
5. BCMS CIRCUIT BOARD.
6. MINIMUM OF 19" CLEARANCE FOR DOOR SWING.
7. RECOMMEND 6" CLEARANCE BETWEEN VENTILATED SIDES FOR COOLING.



LEFT SIDE VIEW



FRONT VIEW

BOTTOM ENTRY / BOTTOM EXIT

| | | | | |
|--|--|--|--|-----------|
| THIS DRAWING CONTAINS CONFIDENTIAL & PROPRIETARY INFORMATION AND SHALL NOT BE DISCLOSED OR COPIED WITHOUT THE EXPRESSED, WRITTEN PERMISSION OF POWER DISTRIBUTION INC. | | TITLE | | -OUTLINE- |
| | | SPECIAL WALL MOUNT WITH (2) 225A SECONDARY MAINS (2) 225 42-POLE PANEL BOARDS WITH BCMS | | |
| DWG. NUMBER | | REVISION | | |
| RPP18675 | | -A- | | |
| DRAWN BY ISF | | CHECKED BY LJN | | |
| DATE 7/8/15 | | DATE 7/8/15 | | |