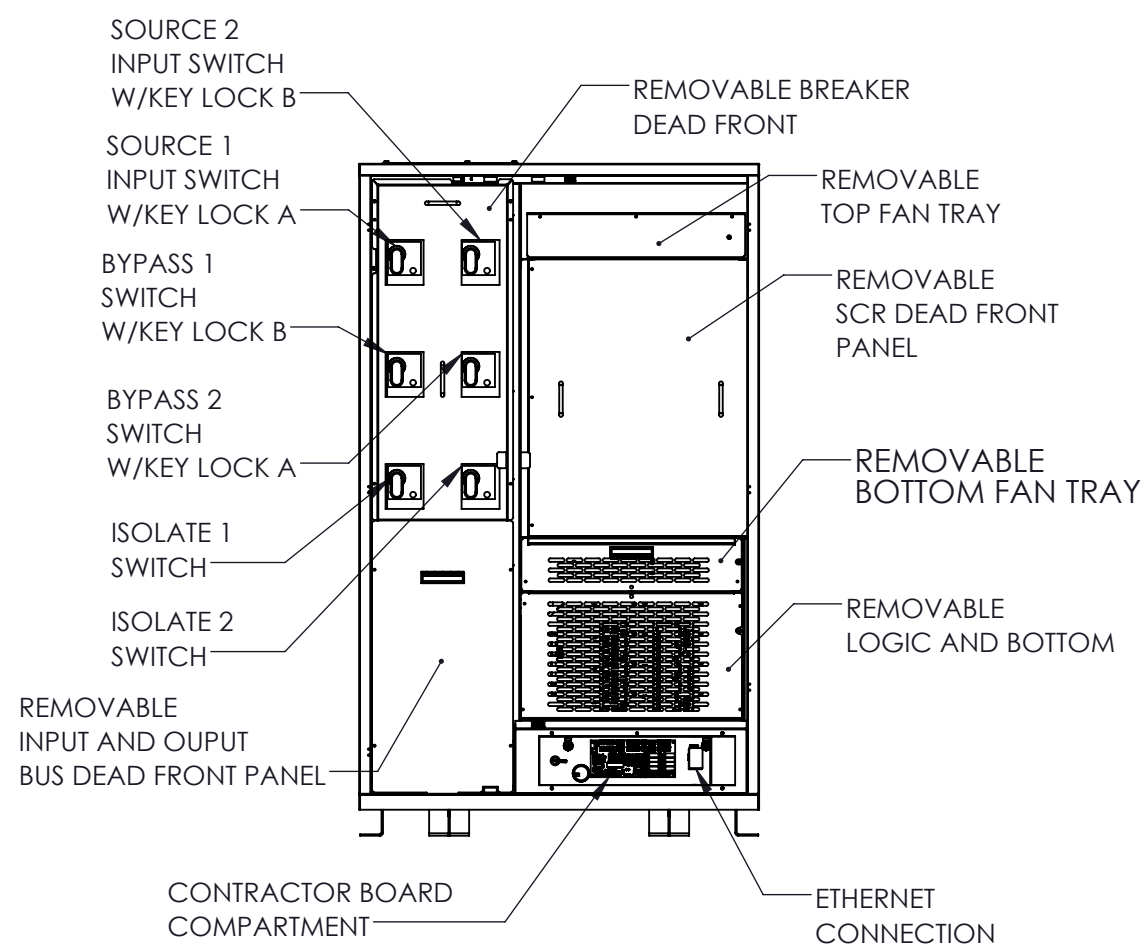
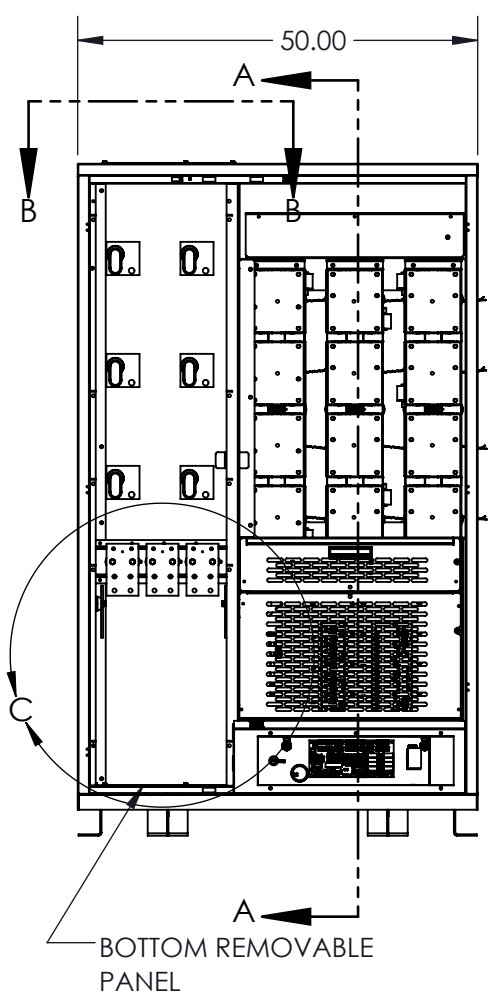


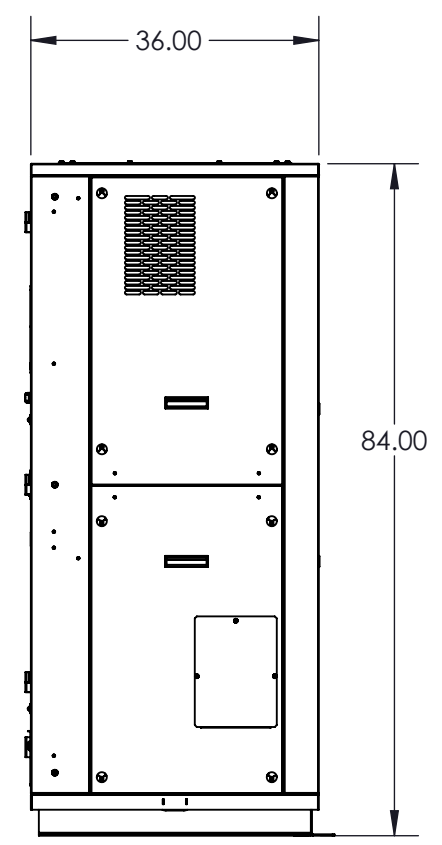
8 7 6 5 4 3 2 1



VIEW WITHOUT FRONT DOORS



VIEW WITHOUT FRONT DOORS AND DEAD FRONT



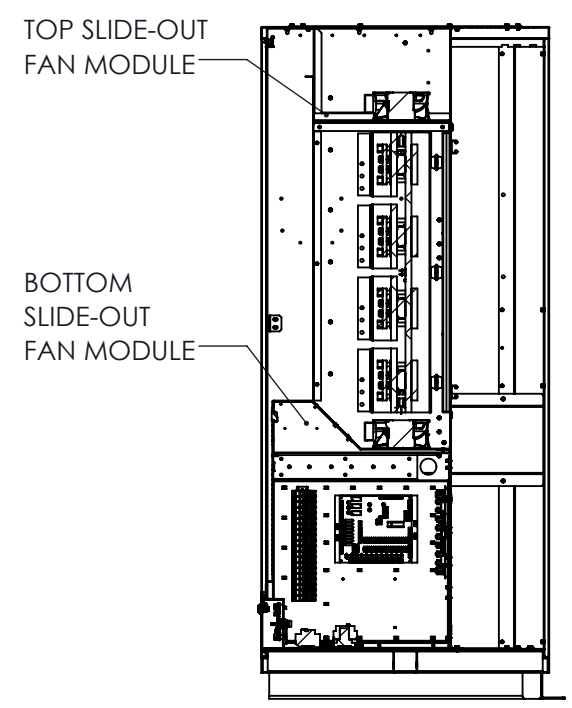
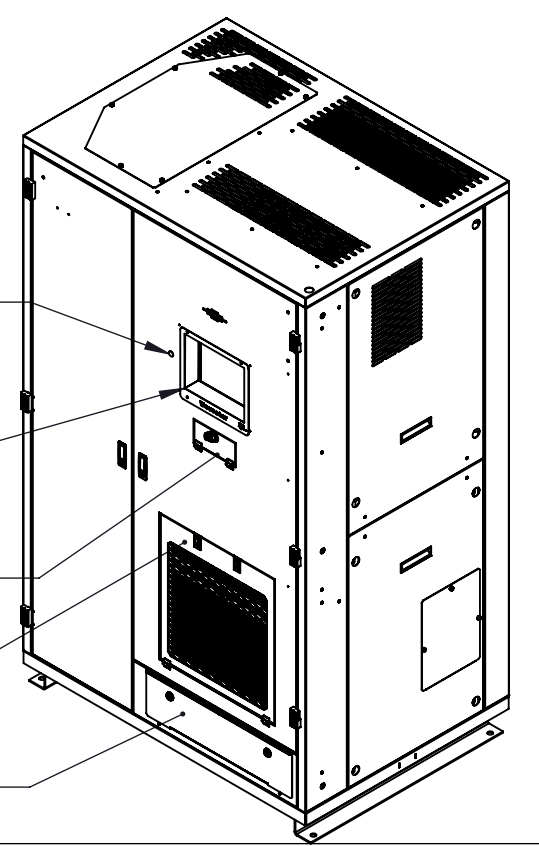
OPTIONAL EPO BUTTON

TOUCH SCREEN DISPLAY

REDUNDANT OPERATOR INTERFACE BOARD ACCESS

FILTER DOOR

CONTRACTOR BOARD ACCESS PANEL



SECTION A-A

GENERAL SPECIFIED CABINET CHARACTERISTIC:
 ENCLOSURE : NEMA 1
 LOCATION : INDOOR
MECHANICAL:
 MOUNTING: BOLT TO CONCRETE FLOOR OR FLOOR STAND
 MATERIAL: STEEL
 WEIGHT : 1400 LBS. APPROX.
 FRONT ACCESS FOR INSTALLATION AND MAINTENANCE
 ALL OPERATOR CONTROL ARE FRONT ACCESS WITHOUT EXPOSE TO LIVE PARTS
 MINIMUM 6" FOR SIDE AND REAR FOR VENTILATION

UNLESS OTHERWISE SPECIFIED:
 DIMENSIONS ARE IN INCHES
 [] IN MILLIMETER
 ANGULAR: ±0.5° BEND ±1°
 TWO PLACE DECIMAL ±0.02
 THREE PLACE DECIMAL ±0.005

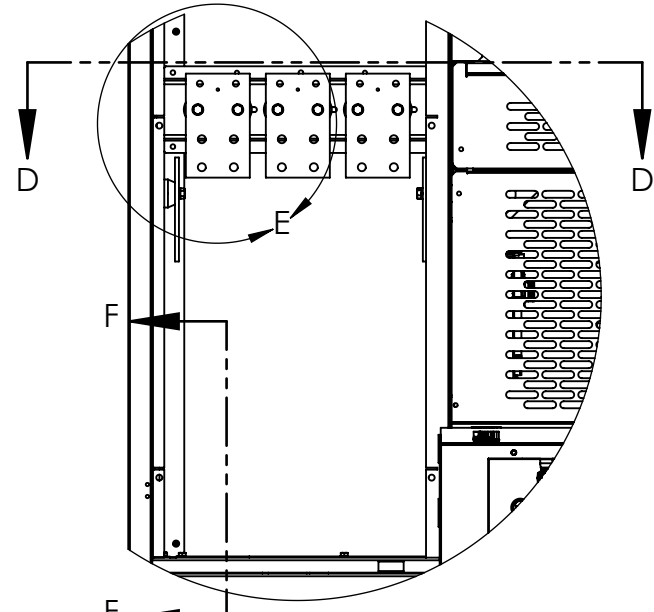
THIS DRAWING CONTAINS
 CONFIDENTIAL & PROPRIETARY
 INFORMATION AND SHALL NOT
 BE DISCLOSED OR COPIED
 WITHOUT THE EXPRESSED,
 WRITTEN PERMISSION OF
 SMITHS POWER



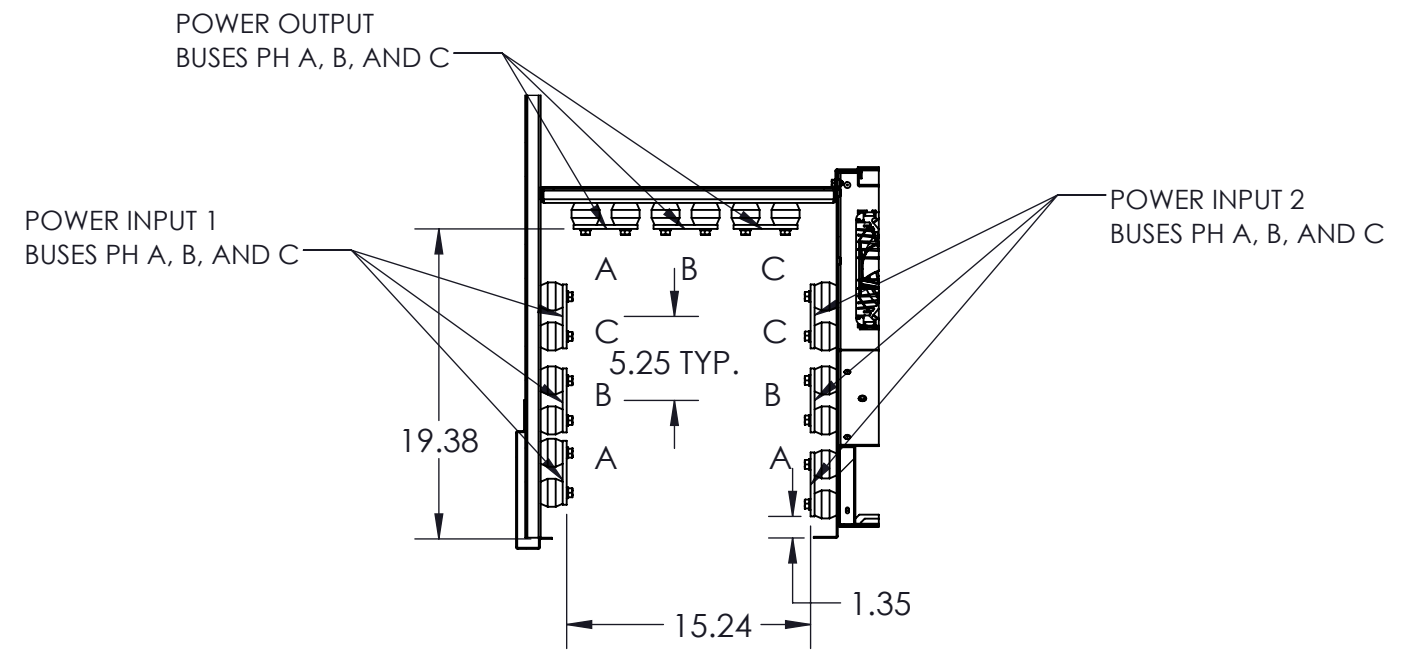
THIRD ANGLE PROJECTION		DO NOT SCALE DRAWING	
APPROVALS		DATE	
DRAWN	ISF	8/24/2018	
CHECKED			
ENG. APPR.	AW	8/24/2018	

TITLE: TFA STS OUTLINE DRAWING 250A - 600A TFA STS BOTTOM ENTRY/EXIT		
SIZE B	DWG. NO. STS66284	REV B
PART NO.		SHEET 1 OF 5

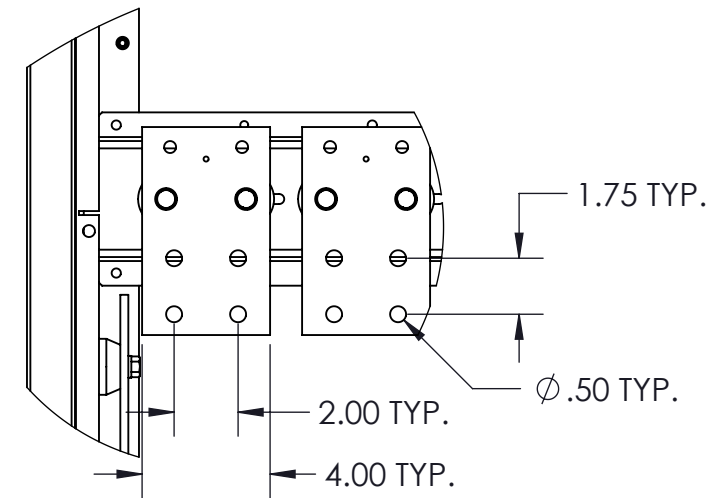
8 7 6 5 4 3 2 1



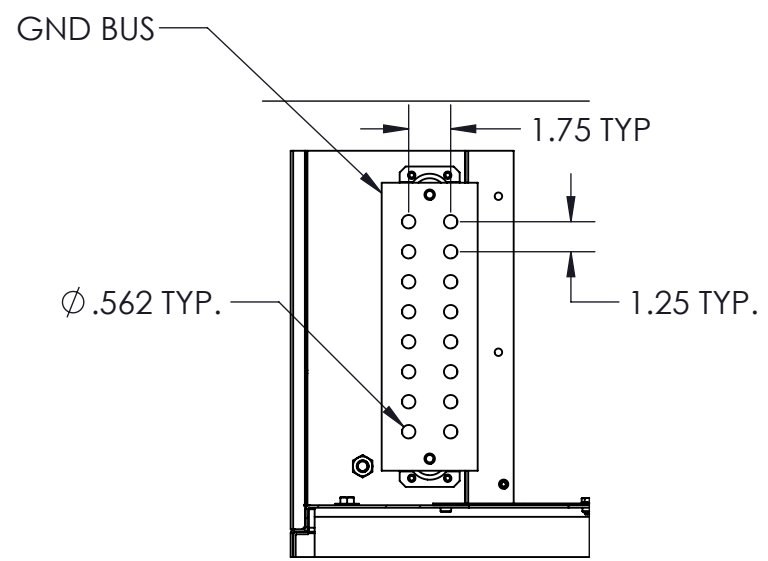
DETAIL C
SCALE 1 : 12



SECTION D-D
SCALE 1 : 12



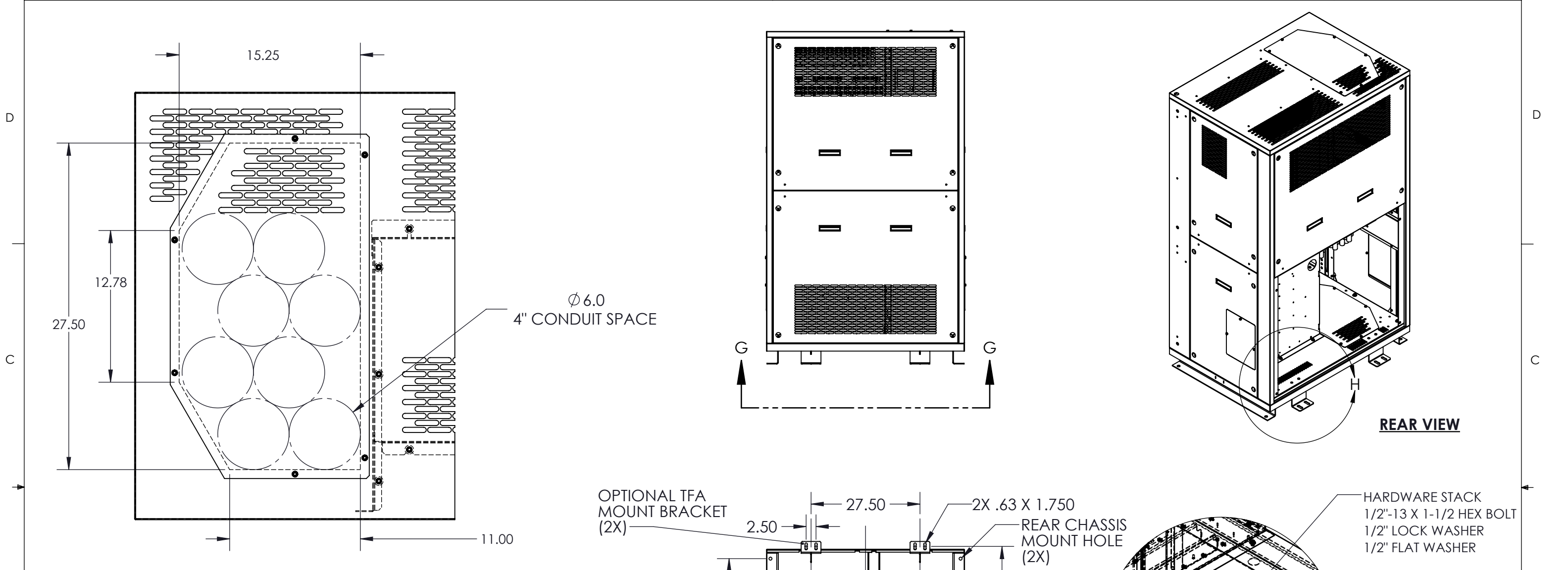
DETAIL E
SCALE 1 : 6



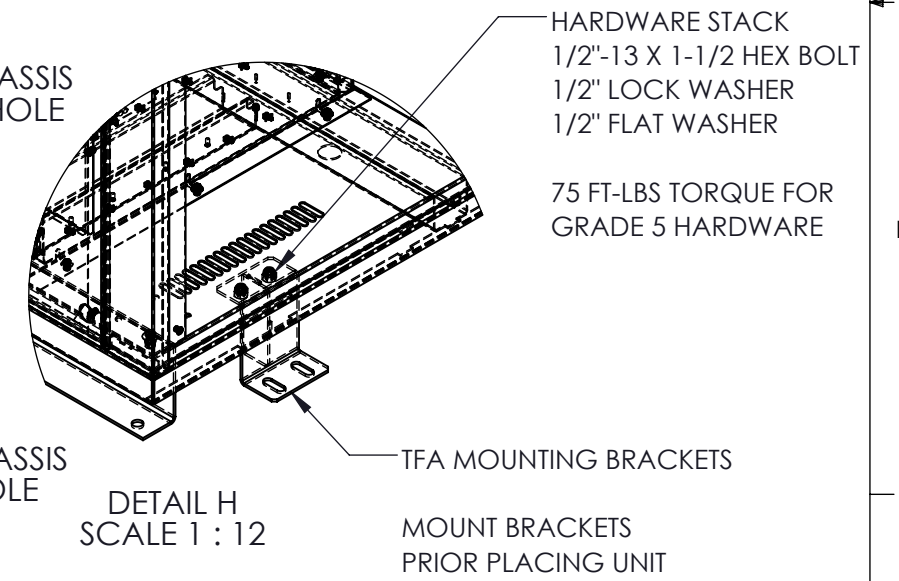
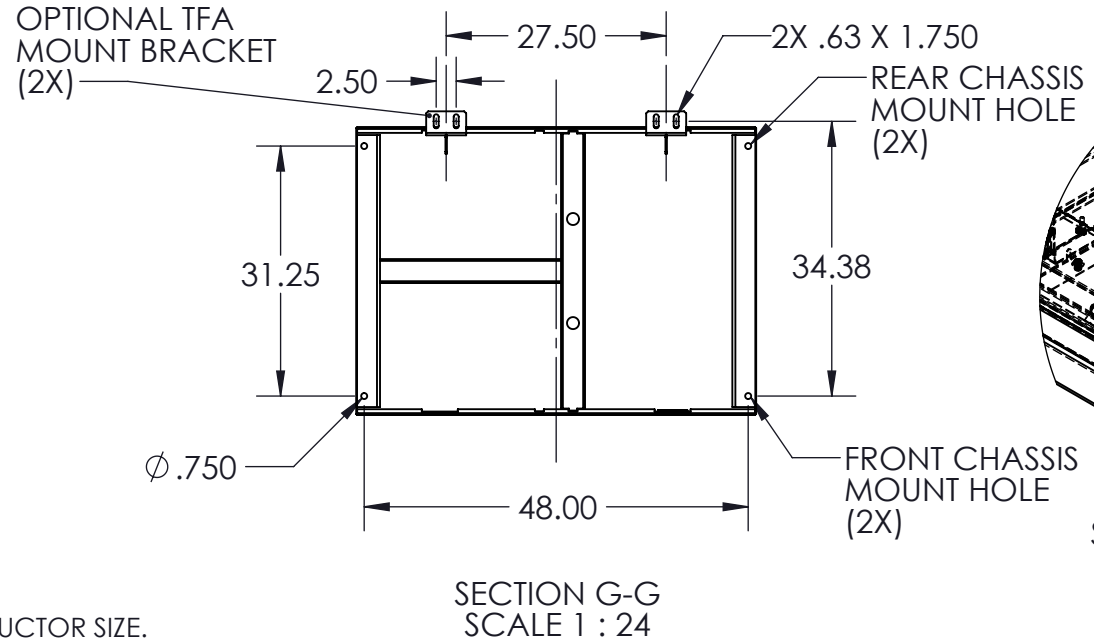
SECTION F-F
SCALE 1 : 8

SIZE B	DWG. NO. STS66284	REV B
SCALE: NTS		SHEET 2 OF 5

8 7 6 5 4 3 2 1



SECTION B-B
SCALE 1 : 8
BOTTOM KNOCK-OUT AREA



DETAIL H
SCALE 1 : 12

OPTIONAL TFA MOUNTING BRACKET

CONDUCTOR RECOMMENDATION:
CONDUCTOR BASED ON 90DEG C CABLE AT 40DEG C AMBIENT TEMPERTURE
REFER TO UL, NEC OR AUTHORITY HAVING JURISDICTION (AHJ) FOR APPROPRIATE CONDUCTOR SIZE.

STS AMPAGE	CU CONDUCTOR PER PHASE	MIN. # OF 4" CONDUIT	AL CONDUCTOR PER PHASE	MIN. # OF 4" CONDUIT
250A	1-250 MCM	1	1-350 MCM	2
400A	1-600 MCM	2	2-250 MCM	2
	2-3/0 AWG	1		
600A	2-350 MCM	2	2-500 MCM	3
	3-3/0 AWG	2	3-250 MCM	2

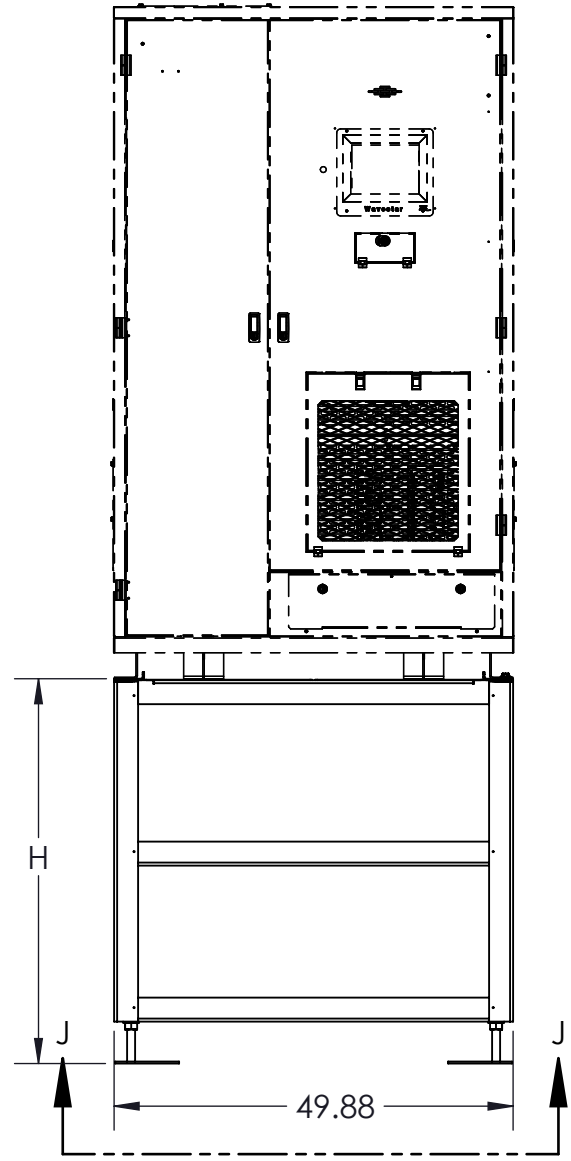
SIZE B	DWG. NO. STS66284	REV B
SCALE: NTS	SHEET 3 OF 5	

8 7 6 5 4 3 2 1

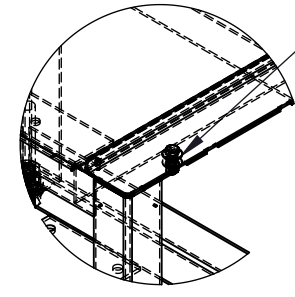
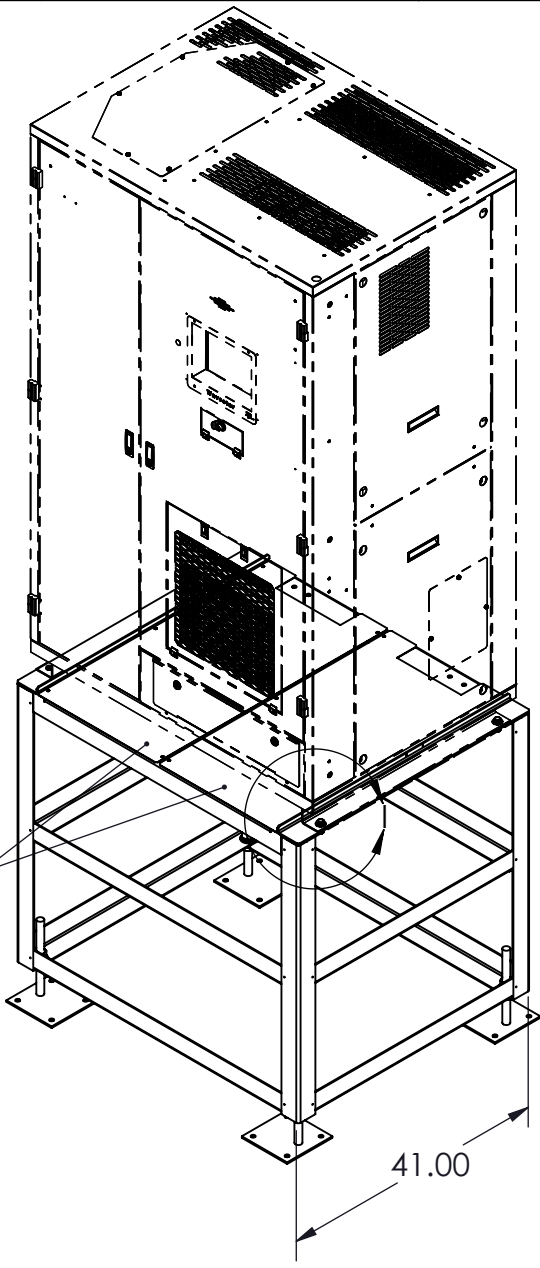
8 7 6 5 4 3 2 1

D
C
B
A

D
C
B
A



REMOVAL BE
PANELS

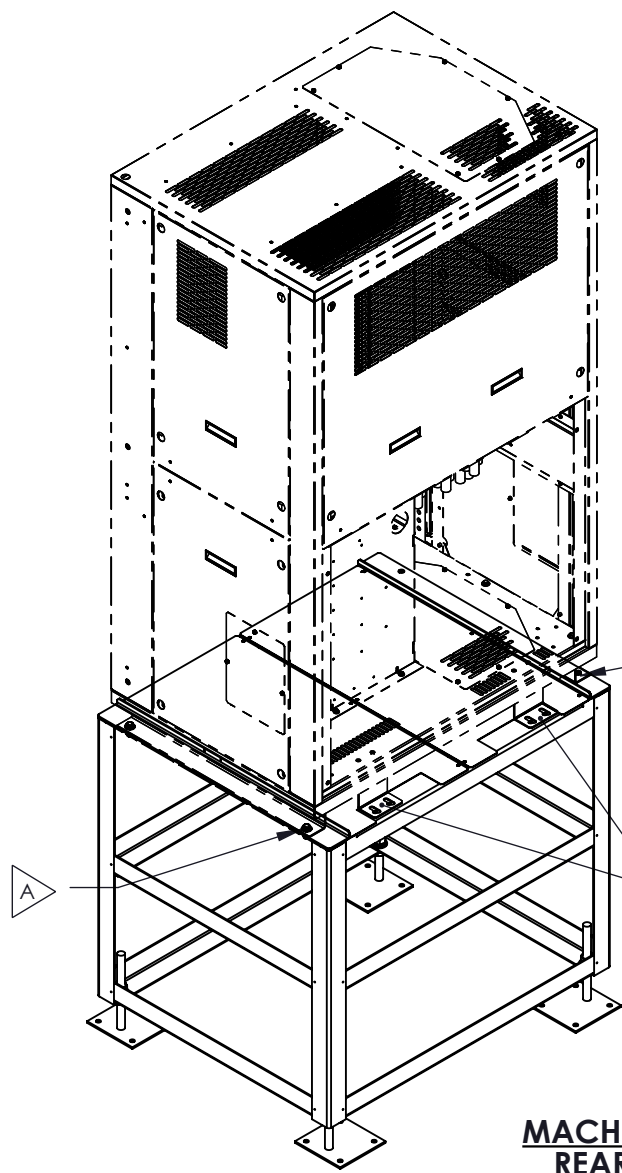


HARDWARE STACK
1/2"-13 X 1-1/2 HEX BOLT
1/2" FLAT WASHER
STS AND FLOOR STAND
1/2" FLAT WASHER
1/2" LOCK WASHER
1/2"-13 HEX NUT

APPLY ON ALL 4 CORNERS

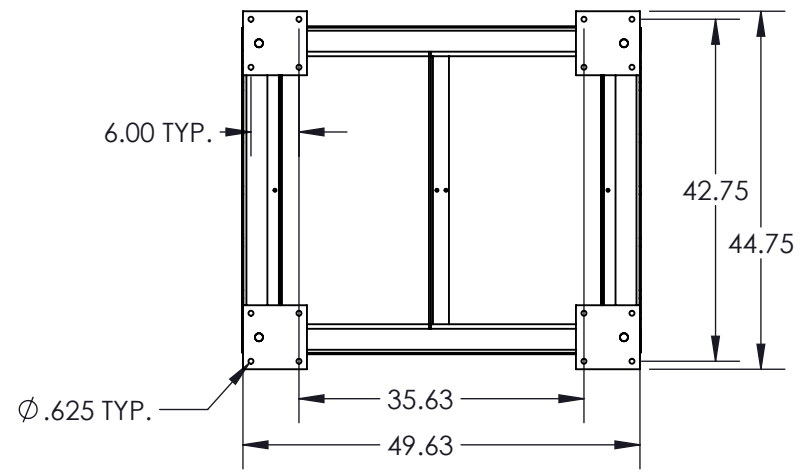
DETAIL I
SCALE 1 : 12

75 FT-LBS TORQUE FOR
GRADE 5 HARDWARE



USE TFA MOUNTING BRACKETS
IF STS REAR MOUNTING
HOLES 'A' ARE INACCESSIBLE
SEE SHEET 3 FOR MOUNTING DETAIL

**MACHINE
REAR**



SECTION J-J
SCALE 1 : 24

PART NUMBER	H (ADJUSTABLE RANGE)	FLOOR STAND WT.
CHS66569-H16	12"-20"	165 LBS
CHS66569-H24	20"-28"	275 LBS
CHS66569-H32	28"-36"	280 LBS
CHS66569-H40	36"-44"	290 LBS
CHS66569-H48	44"-52"	300 LBS

SIZE B	DWG. NO. STS66284	REV B
SCALE: NTS	SHEET 4 OF 5	

8 7 6 5 4 3 2 1

8

7

6

5

4

3

2

1

D

C

B

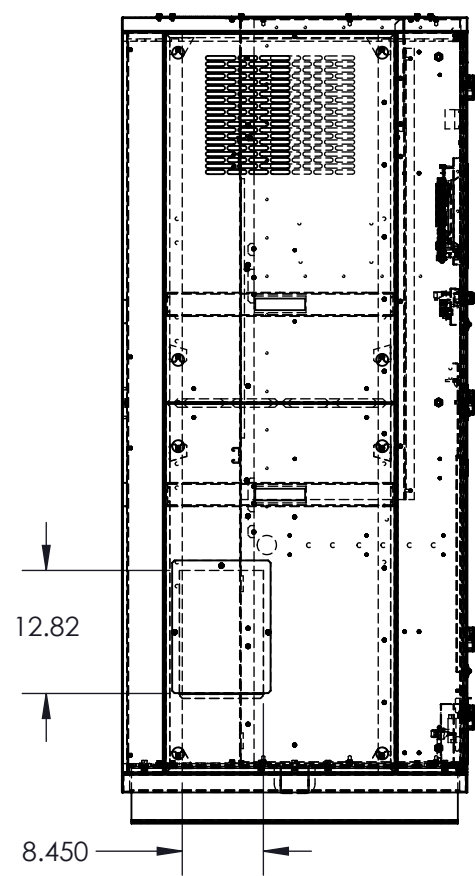
A

D

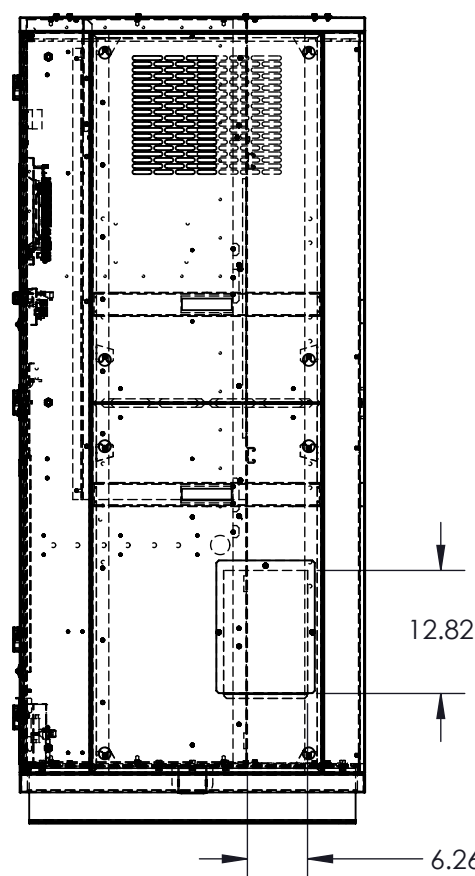
C

B

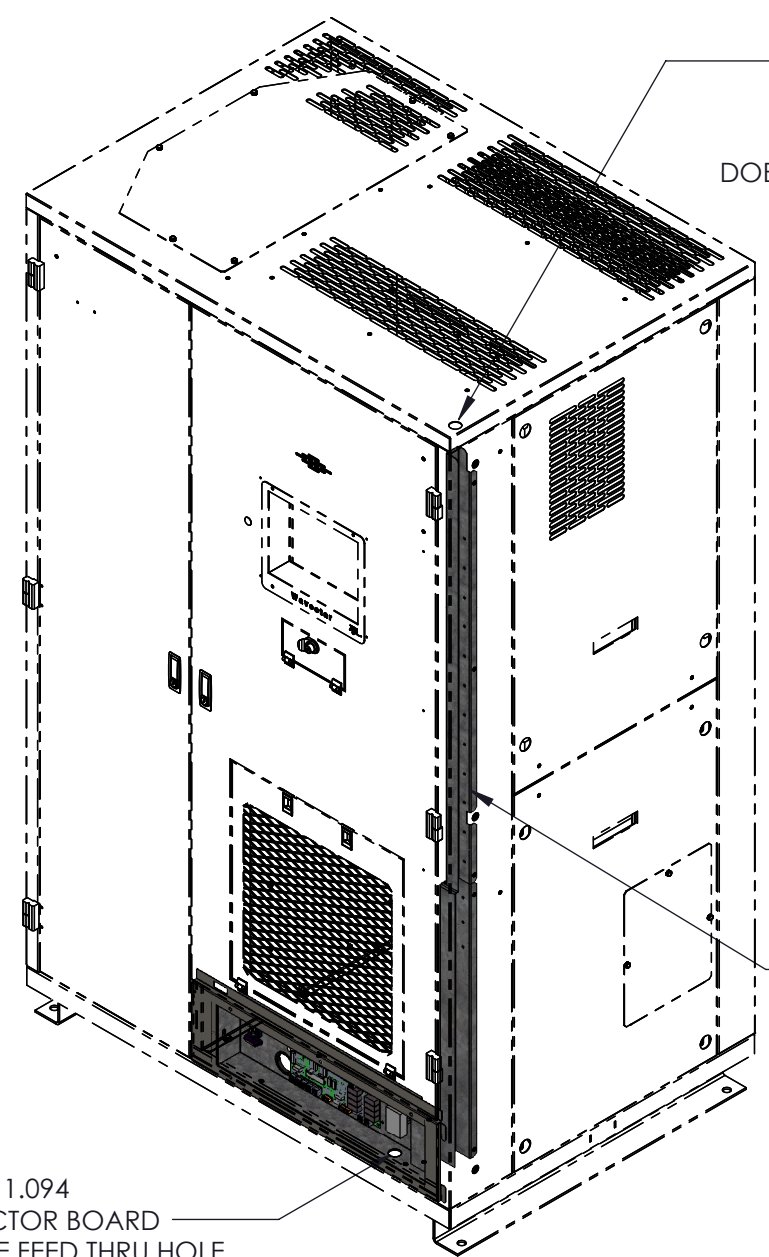
A



**AVAILABLE CABLE PASS THRU SPACE
ON THE LEFT HAND SIDE OF SWITCH**



**AVAILABLE CABLE PASS THRU SPACE
ON THE RIGHT HAND SIDE OF SWITCH**



Ø 1.094
CONTRACTOR BOARD
TOP CABLE FEED THRU HOLE

REMOVE CONTRACTOR BOARD
ACCESS PANEL
FEED CABLE THRU
DOES NOT REQUIRE OPENING FRONT DOORS

Ø 1.094
CONTRACTOR BOARD
BOTTOM CABLE FEED THRU HOLE

CABLE RACEWAY

SIZE B	DWG. NO. STS66284	REV B
SCALE: NTS	SHEET 5 OF 5	

8

7

6

5

4

3

2

1