

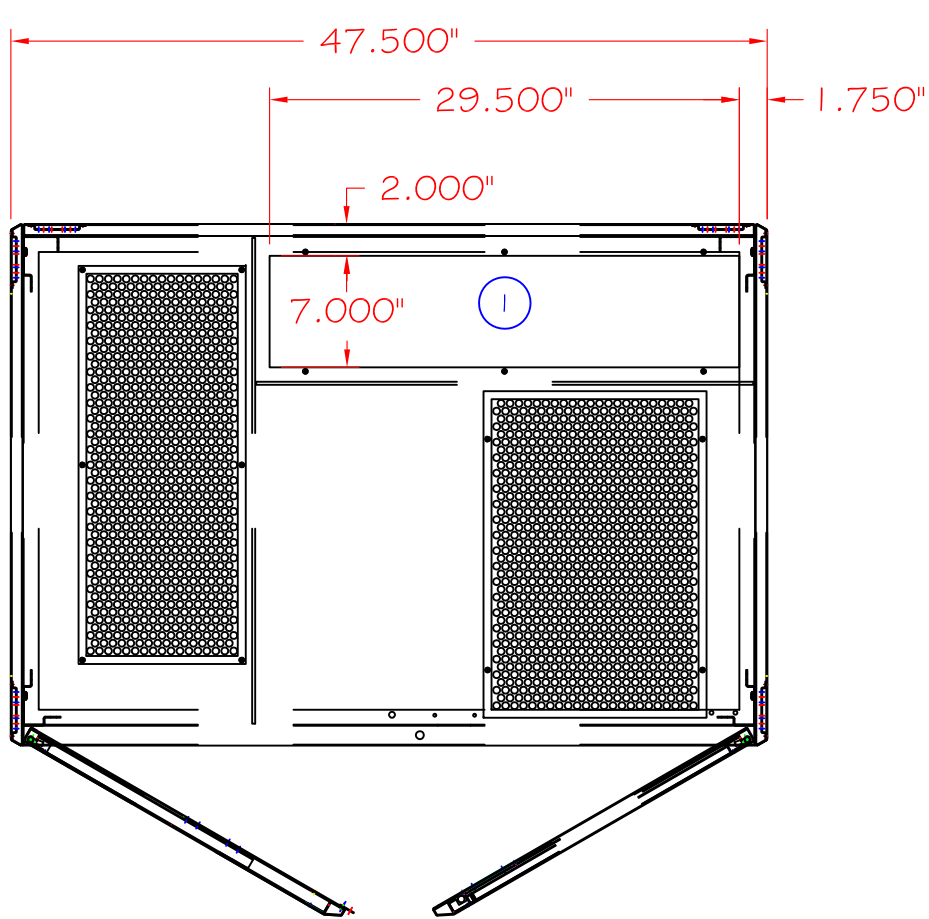
FRONT VIEW
(DOORS AND COVERS REMOVED)

NOTES:

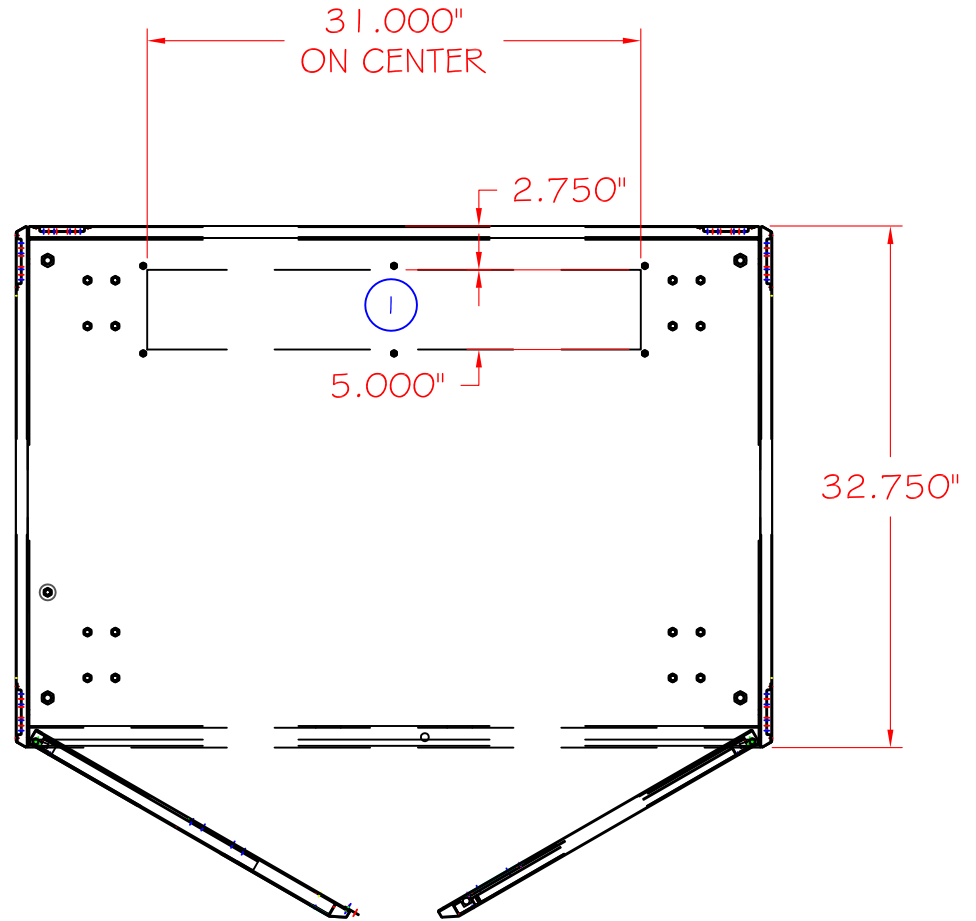
1. OPERATOR INTERFACE PANEL.
2. SCR MODULE.
3. STS MOLDED CASE INPUT SWITCH/CIRCUIT BREAKER.
4. STS MOLDED CASE BYPASS SWITCH/CIRCUIT BREAKER.
5. STS MOLDED CASE ISOLATION SWITCH (2nd SWITCH OPTIONAL).
6. ALLOW A MINIMUM OF 6" CLEARANCE BETWEEN WALL AND SIDES.
7. ALLOW A MINIMUM OF 24" FOR FRONT DOOR SWING.

| | | | |
|--|---------------|--|--------|
| THIS DRAWING CONTAINS CONFIDENTIAL & PROPRIETARY INFORMATION AND SHALL NOT BE DISCLOSED OR COPIED WITHOUT THE EXPRESSED, WRITTEN PERMISSION OF POWER DISTRIBUTION INC. | | -OUTLINE- STATIC TRANSFER SWITCH 800 AMP | |
| | | DWG. NUMBER DWG40004 | 1 OF 2 |
| DRAWN BY K.Harlow | REVISION A | | |
| DATE 07-07-11 | A | | |






PLAN VIEW
TOP OPENINGS



PLAN VIEW
BASE OPENINGS

NOTES:

1. INPUT/OUTPUT CABLE AREA TO BE PUNCHED.
2. ALLOW A MINIMUM OF 6" CLEARANCE BETWEEN WALL AND SIDES.
3. ALLOW A MINIMUM OF 24" FOR FRONT DOOR SWING.

| | | |
|--|---|--|
| THIS DRAWING CONTAINS CONFIDENTIAL & PROPRIETARY INFORMATION AND SHALL NOT BE DISCLOSED OR COPIED WITHOUT THE EXPRESSED, WRITTEN PERMISSION OF POWER DISTRIBUTION INC. | TITLE -OUTLINE- STATIC TRANSFER SWITCH 800 AMP | |
| | DWG. NUMBER | 2 OF 2 |
| | DWG40004 | |
| | DRAWN BY | REVISION |
| DATE | 07-07-11 | A |
| | |  creating the perfect wave |