

REVISIONS				
REV.	ECN #	DESCRIPTION	DATE	APPROVED

**LEFT SIDE VIEW**  
DOORS & PANELS REMOVED

**FRONT VIEW**  
DOORS & PANELS REMOVED

**NOTES:**

1. OPERATOR INTERFACE PANEL.
2. SCR MODULE.
3. MOLDED CASE INPUT SWITCH.
4. MOLDED CASE BYPASS SWITCH.
5. MOLDED CASE ISOLATION SWITCH.
6. SUB-FEED CIRCUIT BREAKERS.
7. ALLOW A MINIMUM OF 18" ON FRONT OF UNIT FOR DOOR SWING.
8. ALLOW A MINIMUM OF 32" ON SIDE OF UNIT FOR DOOR SWING.
9. RECOMMEND A MINIMUM OF 6" CLEARANCE BETWEEN WALLS & VENTILATED PANELS FOR PROPER COOLING.
10. ACCESS TO RIGHT SIDE OR REAR NEEDED FOR INSTALLATION.

UNLESS OTHERWISE SPECIFIED:  
DIMENSIONS ARE IN INCHES  
TOLERANCES:  
ANGULAR: ±0.5° BEND ±1°  
TWO PLACE DECIMAL ±0.02  
THREE PLACE DECIMAL ±0.005

THIS DRAWING CONTAINS  
CONFIDENTIAL & PROPRIETARY  
INFORMATION AND SHALL NOT  
BE DISCLOSED OR COPIED  
WITHOUT THE EXPRESSED,  
WRITTEN PERMISSION OF  
POWER DISTRIBUTION, INC.

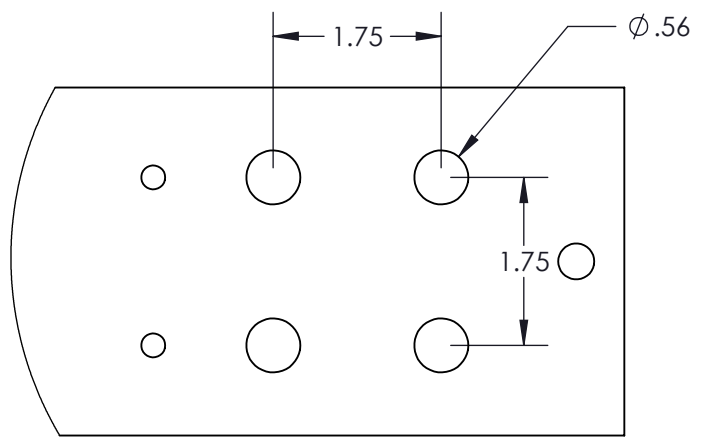


USED ON		THIRD ANGLE PROJECTION
APPROVALS		DATE
DRAWN		
DESIGNED		
CHECKED		
ENG. APPR.		
MFG. APPR.		

TITLE: -OUTLINE- STATIC TRANSFER SWITCH 400-600 AMP, WITH SUB-FEED SIDECAR		
SIZE <b>B</b>	DWG. NO. <b>DWG18745</b>	REV
SCALE: NTS		SHEET 1 OF 3

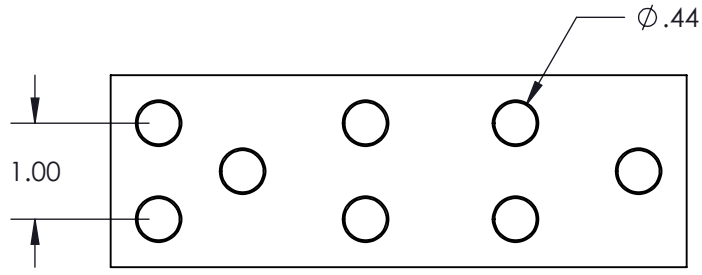
8 7 6 5 4 3 2 1

D



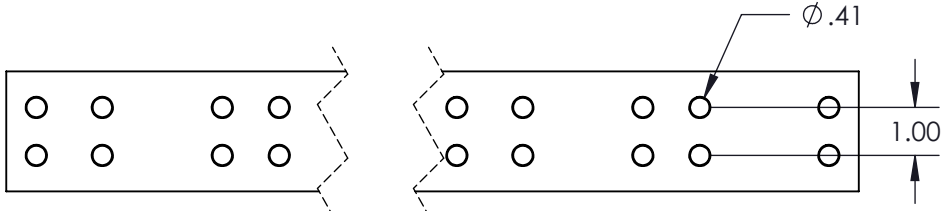
**INPUT BUS**  
 TERMINATE UP TO (2) NEMA 2-HOLE LUGS  
 1.75" SPACING, 1/2" BOLT

C

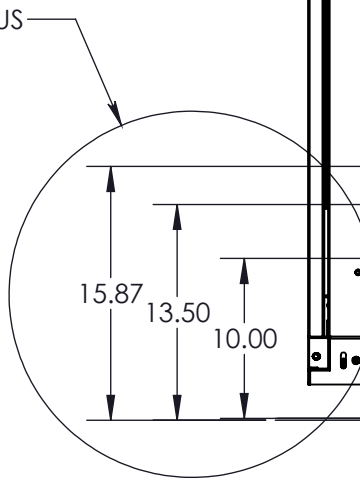


**GROUND BUS**  
 TERMINATE UP TO (3) NEMA 2-HOLE LUGS  
 1.0" SPACING, 3/8" BOLT

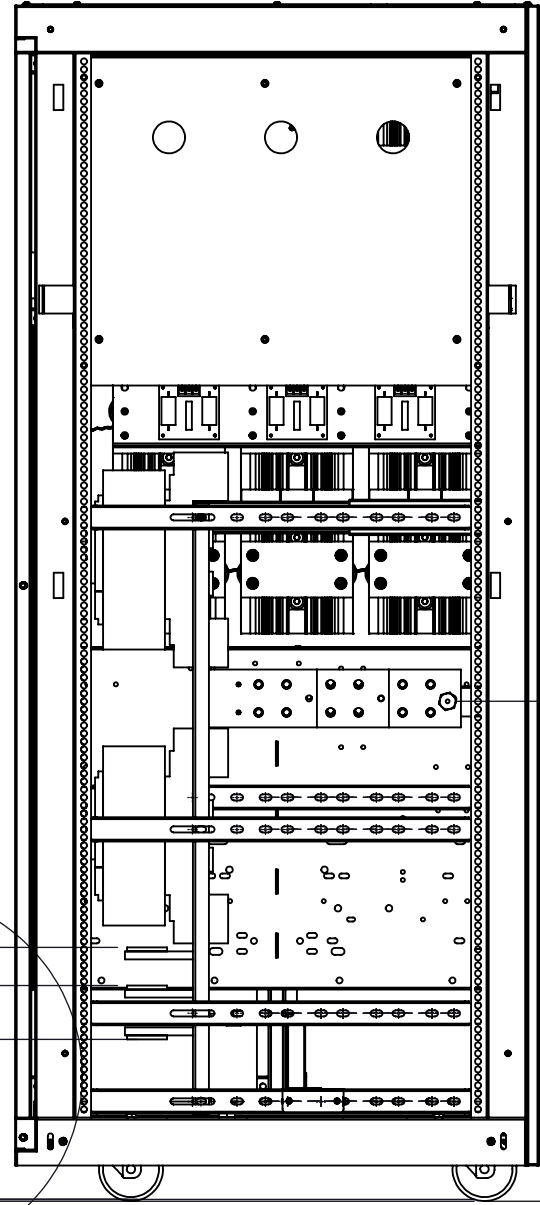
B



**OUTPUT BUS**  
 TERMINATE UP TO (6) NEMA 2-HOLE LUGS  
 1.0" SPACING, 3/8" BOLT



OUTPUT BUS



**RIGHT SIDE VIEW**  
 PANELS REMOVED

SOURCE 2

SOURCE 1

INPUT BUS

OUTPUT BUS

31.25  
 INPUT BUS

A

TABLE 1

INPUT/OUTPUT	CABLE SIZE	LUG	TIGHTENING TORQUE
400 A	(2) 250 KCMIL	NEMA 2 HOLES COMPRESSION	300 LB-IN
600A	(2) 350 KCMIL		
SIGNAL / CONTROL	# 18 AWG	NONE REQUIRED	18 LB-IN

SIZE <b>B</b>	DWG. NO. <b>DWG18745</b>	REV
SCALE: NTS	SHEET 2 OF 3	

8 7 6 5 4 3 2 1

D

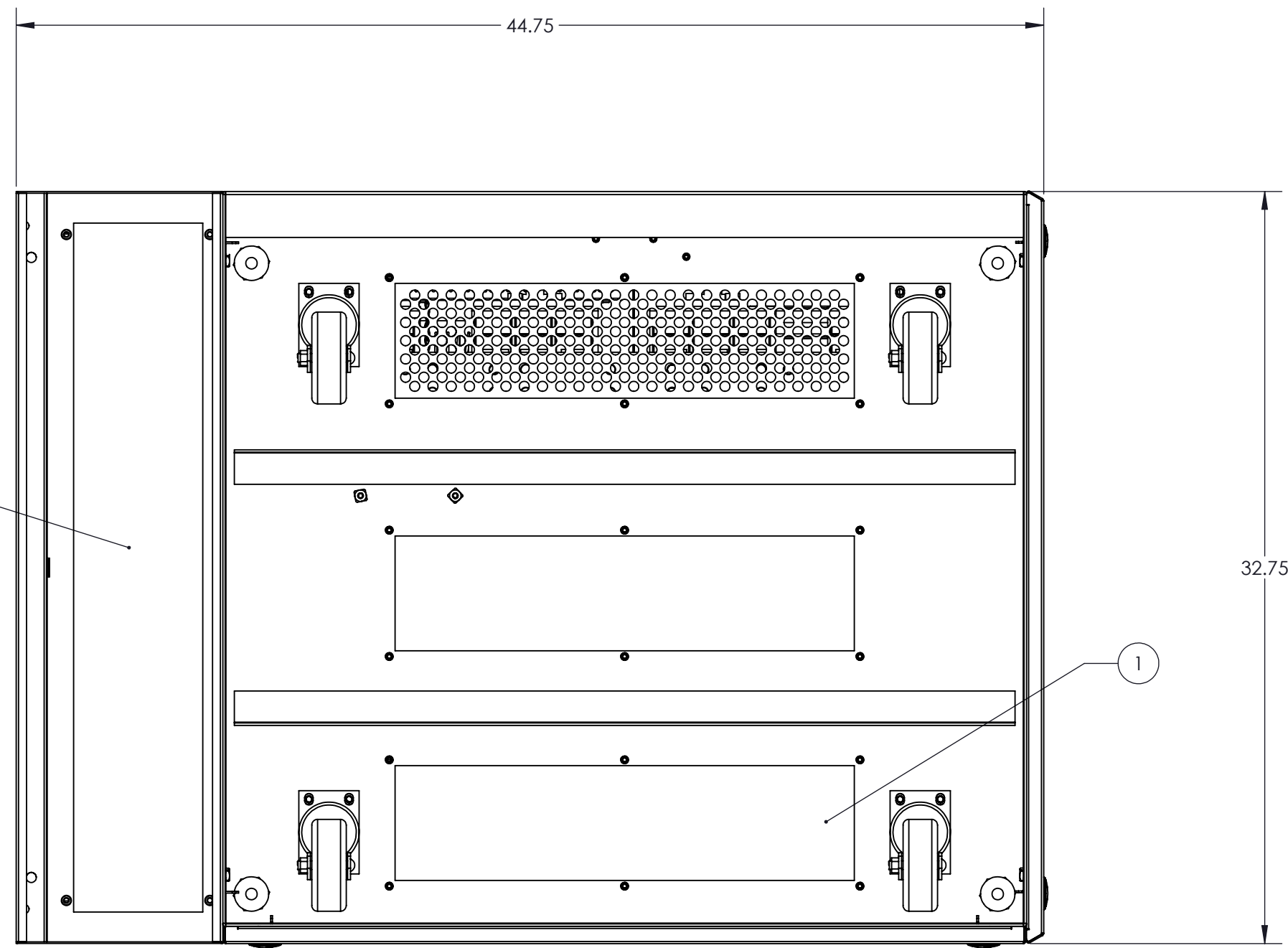
C

B

A

8 7 6 5 4 3 2 1

D  
C  
B  
A



**BOTTOM VIEW**

**NOTES:**

- 1. INPUT CABLE AREA TO BE PUNCHED
- 2. OUTPUT CABLE AREA TO BE PUNCHED
- 3. ALLOW A MINIMUM OF 18" ON FRONT OF UNIT FOR DOOR SWING.
- 4. ALLOW A MINIMUM OF 32" ON SIDE OF UNIT FOR DOOR SWING.
- 5. RECOMMEND A MINIMUM OF 6" CLEARANCE BETWEEN WALLS & VENTILATED PANELS FOR PROPER COOLING.
- 6. ACCESS TO RIGHT SIDE OR REAR NEEDED FOR INSTALLATION.

SIZE	DWG. NO.	REV
<b>B</b>	<b>DWG18745</b>	
SCALE: NTS		SHEET 3 OF 3

8 7 6 5 4 3 2 1