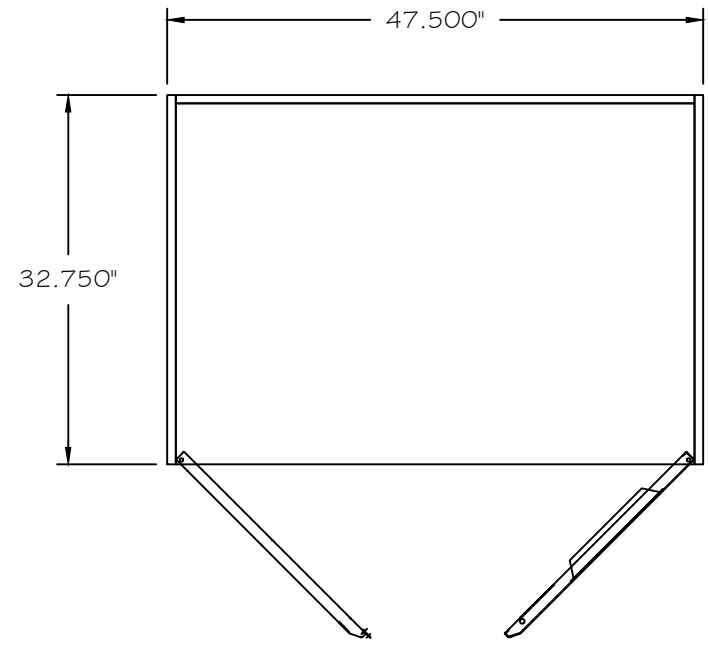


FRONT VIEW
(DOORS AND COVERS REMOVED)



PLAN VIEW

NOTES:

1. OPERATOR INTERFACE PANEL.
2. SCR MODULE.
3. MOLDED CASE INPUT SWITCH/CIRCUIT BREAKER.
4. MOLDED CASE BYPASS SWITCH/CIRCUIT BREAKER.
5. MOLDED CASE ISOLATION SWITCH(2nd SWITCH OPTIONAL).
6. NEUTRAL SWITCHING CONTACTORS.
7. ALLOW 24" MINIMUM CLEARANCE FOR DOOR SWING.
8. RECOMMEND 6" CLEARANCE BETWEEN WALL AND VENTED SIDE FOR COOLING.

<p>THIS DRAWING CONTAINS CONFIDENTIAL & PROPRIETARY INFORMATION AND SHALL NOT BE DISCLOSED OR COPIED WITHOUT THE EXPRESSED, WRITTEN PERMISSION OF POWER DISTRIBUTION INC.</p>	-OUTLINE-	
	<p>STATIC TRANSFER SWITCH 250 AMP DUAL SWITCHED NEUTRALS</p>	
	<p>DWG. NUMBER</p>	<p>1 OF 1</p>
	<p>DWG. NUMBER</p>	<p>DWG. NUMBER</p>
<p>DATE</p>	<p>11-08-06</p>	<p>REVISION</p>
<p>DRAWN BY</p>	<p>K. Harlow</p>	<p>A</p>