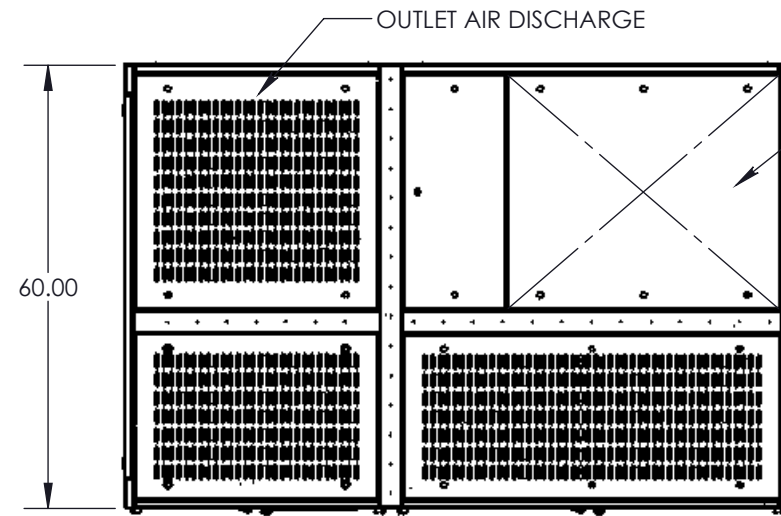


GENERAL NOTES:

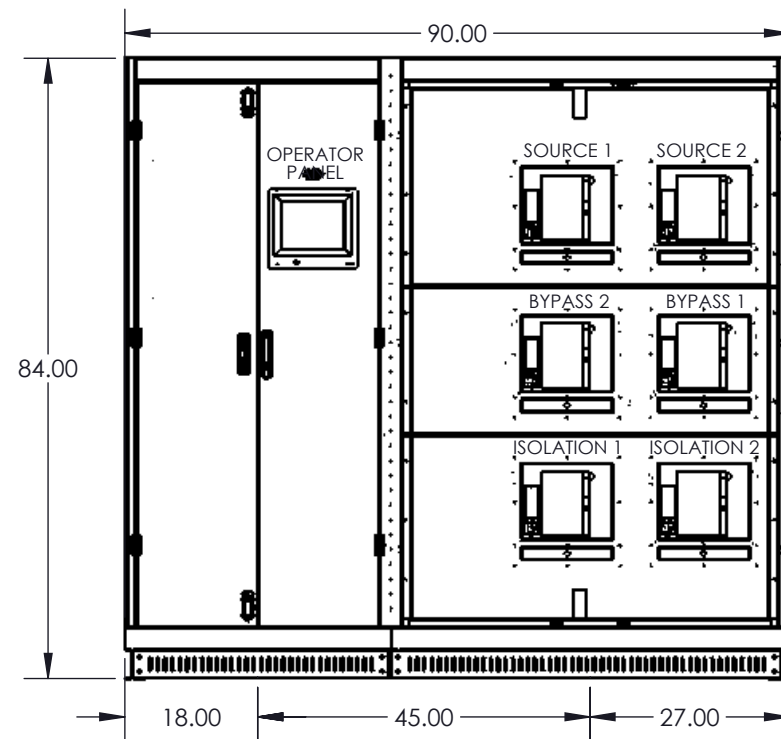
1. ENCLOSURE: NEMA 1 RATED
2. ALL DOOR HAVE LOCKABLE HANDLE WITH COMMON KEY
3. ALL BUS IS SILVER-PLATED COPPER, BASED ON 1000A/ SQ IN.
4. WEIGHT : 5400 LBS.. ESTIMATED
OPERATING AMBIENT TEMPERATURE 0C TO 40C (32 F TO 104F)
HEAT DISSIPATION AT FULL RATE: 30,709 BTU/Hr
5. FINISH:
EXTERIOR PANELS: PEARL WHITE - PHTI-60016
FRAME: CARBIDE BLACK - EBT2C0000
6. RECOMMENDED MINIMUM CLEARANCE :
FRONT: 36"
REAR : 36"
SIDE : 6"
TOP: 12"
7. SEE ONE LINE ELECTRICAL DIAGRAM FOR FURTHER DETAIL

EXTERNAL CONNECTION NOTES:

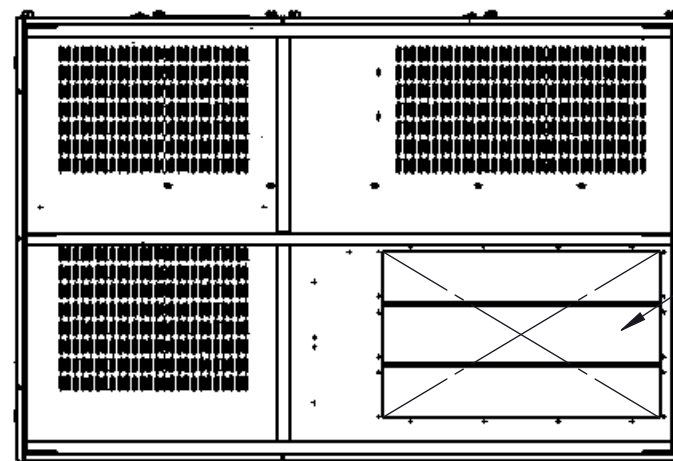
1. SOURCE AND LOAD RATING:
600V/480V/208V, 2000 AMPS, 60HZ, 3 PHASE, 3 WIRE
2. GROUND BUS : SEE DETAIL ON PAGE 2
3. CABLE ENTRANCE THOUGH BOTTOM OR TOP AS SHOWN
PUNCH COVER PANELS AS REQUIRED FOR CONDUITS
ENTRY/EXIT
4. LUG MATERIAL RECOMMENDED: ALUMINUM ALLOY 6061. UL LISTED
5. LUG SCREW TIGHTENING TORQUE PER UL 486B
6. REFER SOURCE AC INPUT CONNECT TO TYPICAL ENTRY (pg 2)
7. SEE PAGE 2 FOR INPUT AND OUTPUT BUS LOCATION



PLAN VIEW



FRONT VIEW

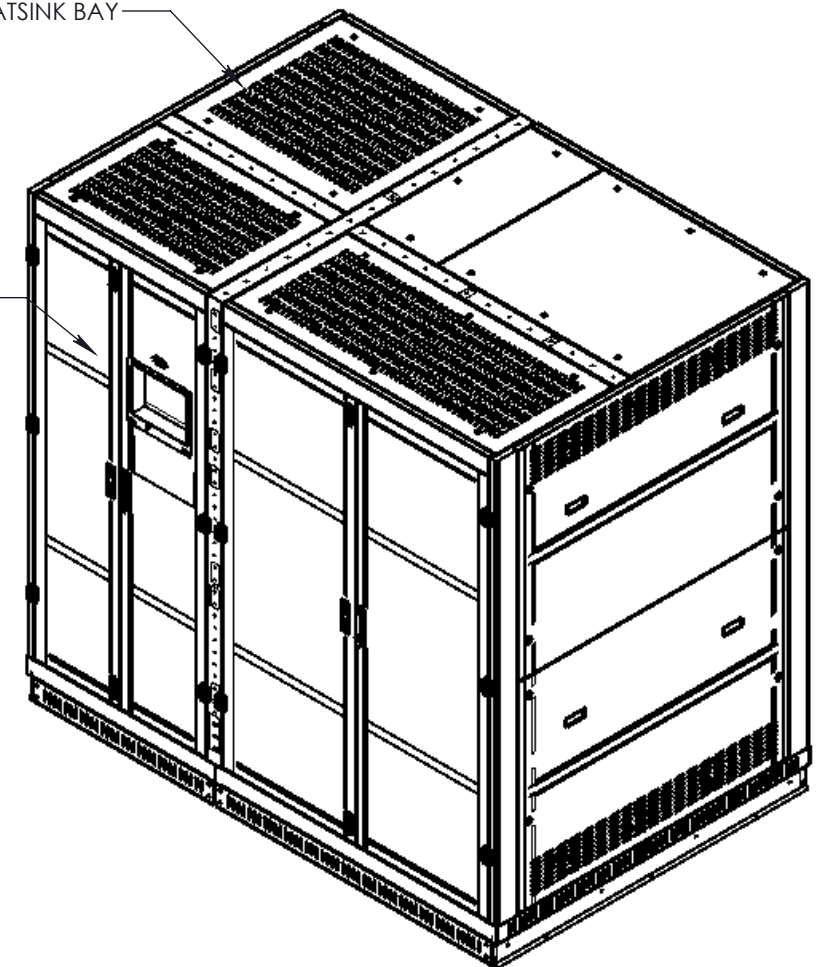


BOTTOM VIEW

TOP CABLE
ENTRY/EXIT AREA
31.50 x 36.50

HEATSINK BAY

CONTROL MODULE



PDI

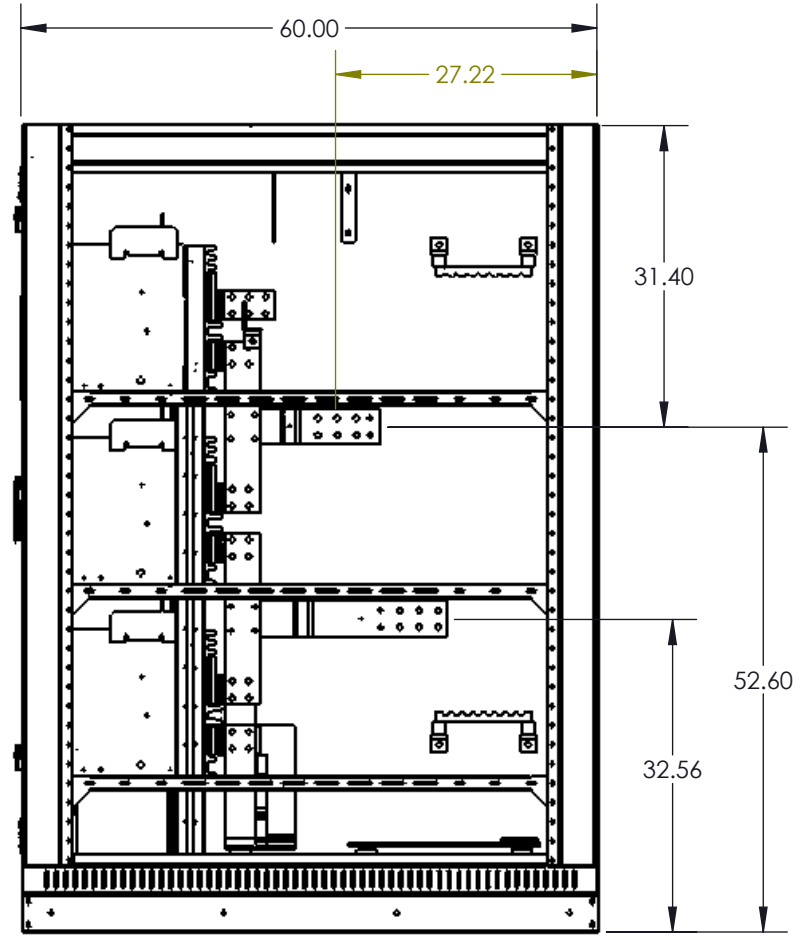
TITLE: -OUTLINE-
STATIC TRANSFER SWITCH
2000 AMP

SIZE B	DWG. NO. DWG40056	REV
------------------	----------------------	-----

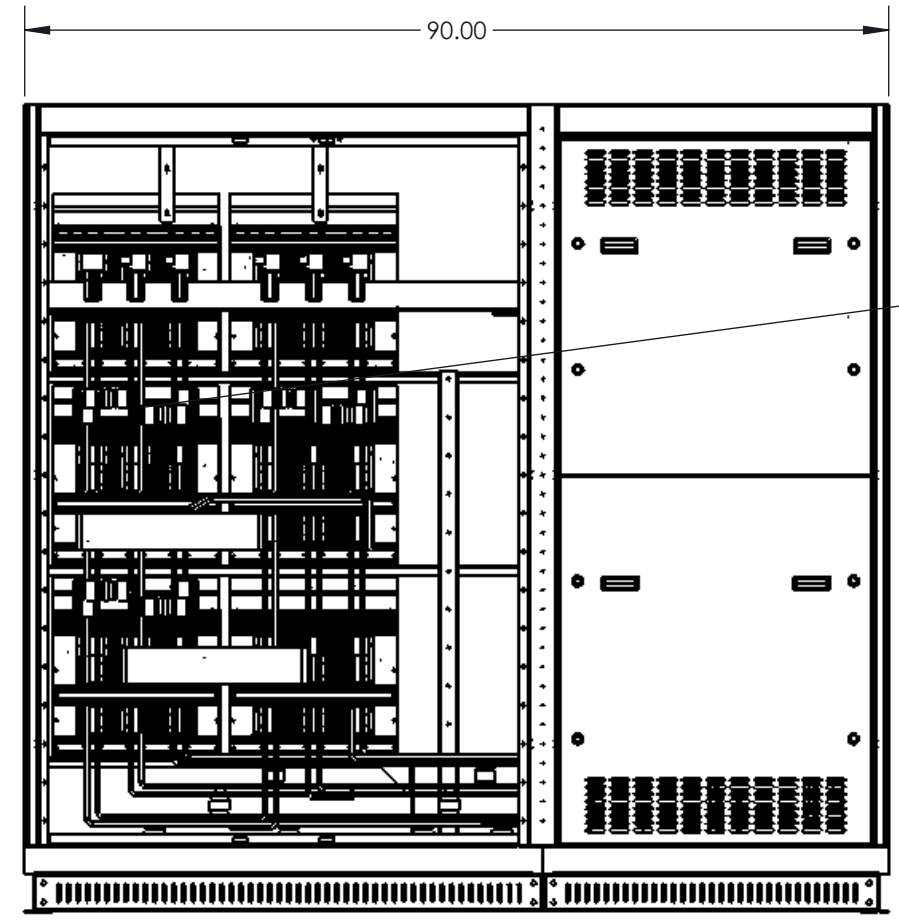
SCALE: 1:24	PART NO.	SHEET 1 OF 2
-------------	----------	--------------

8 7 6 5 4 3 2 1

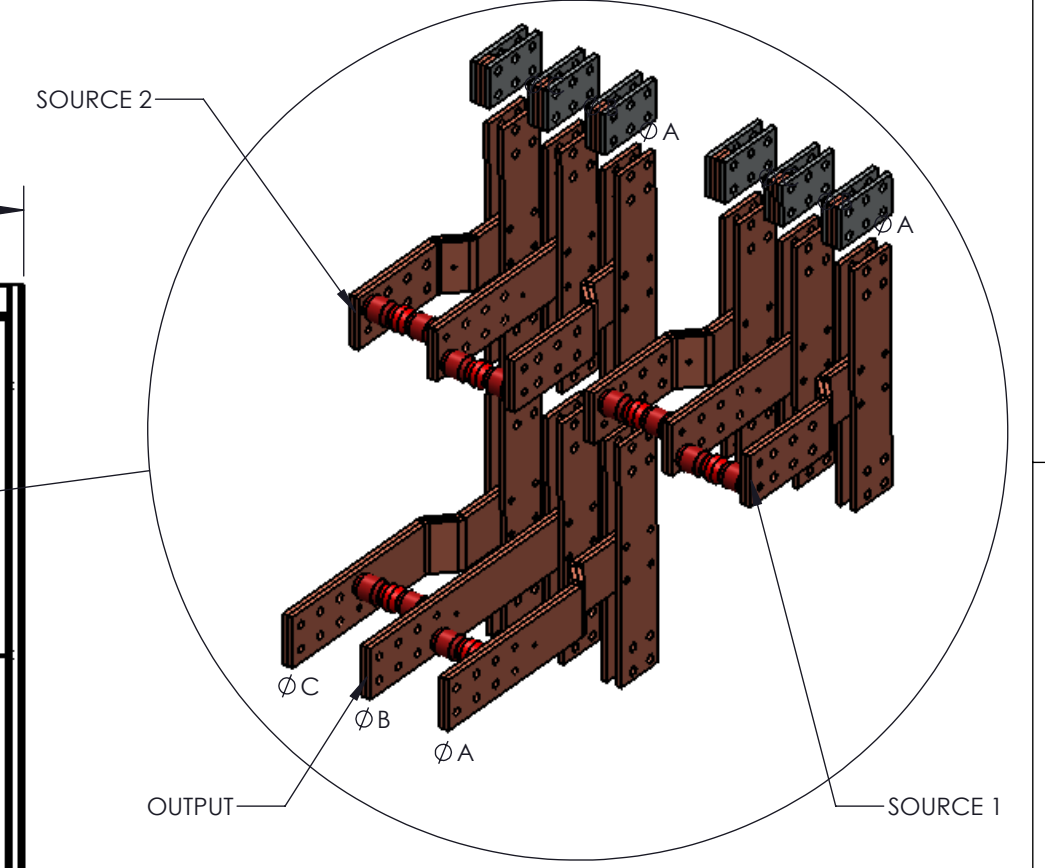
D
C
B
A



LEFT SIDE VIEW



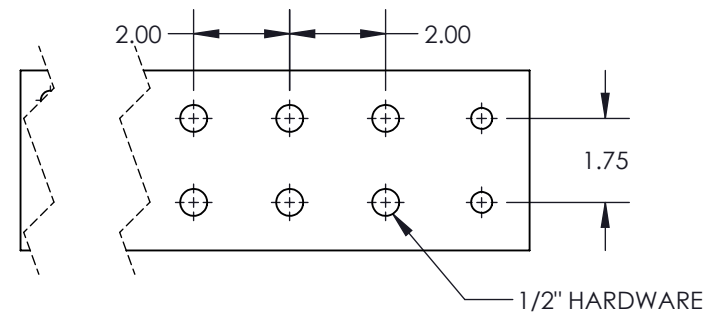
REAR VIEW



SHOWING TYPICAL TOP ENTRY/ EXIT WITH (6) COMPRESSION NEMA 2-HOLE LUGS

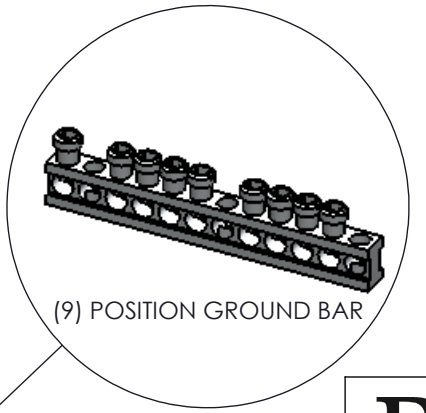
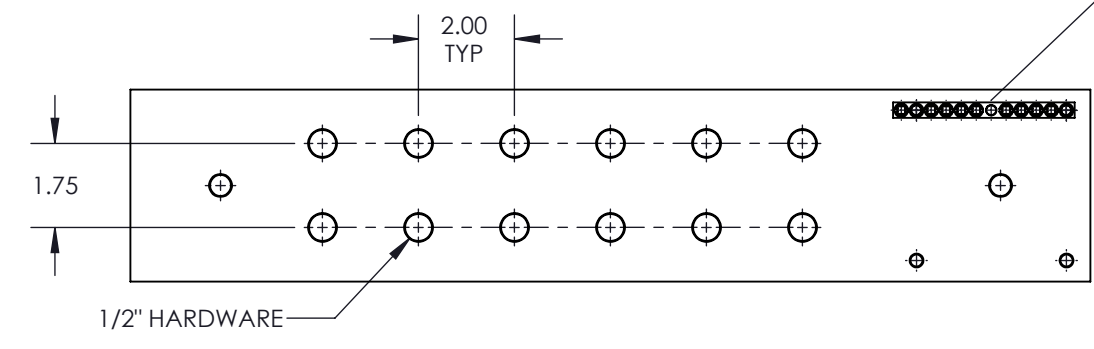
INPUT TERMINALS CONNECTION

3.75 X.75 BUSBAR WITH UP TO (6) NEMA 2-HOLES LUGS (750MCM LUGS MAX)



GROUND TERMINALS CONNECTION

4.00 X.25 BUSBAR WITH UP TO (6) NEMA 2-HOLE LUGS (500MCM LUGS MAX)



(9) POSITION GROUND BAR



TITLE: -OUTLINE-
STATIC TRANSFER SWITCH
2000 AMP

SIZE B	DWG. NO. DWG40056	REV
------------------	----------------------	-----

SCALE: 1:20	PART NO.	SHEET 2 OF 2
-------------	----------	--------------

8 7 6 5 4 3 2 1