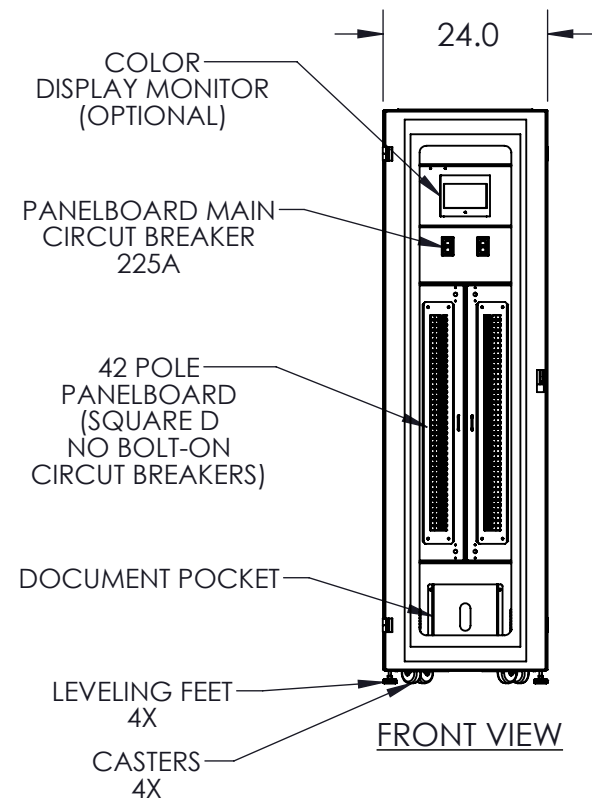
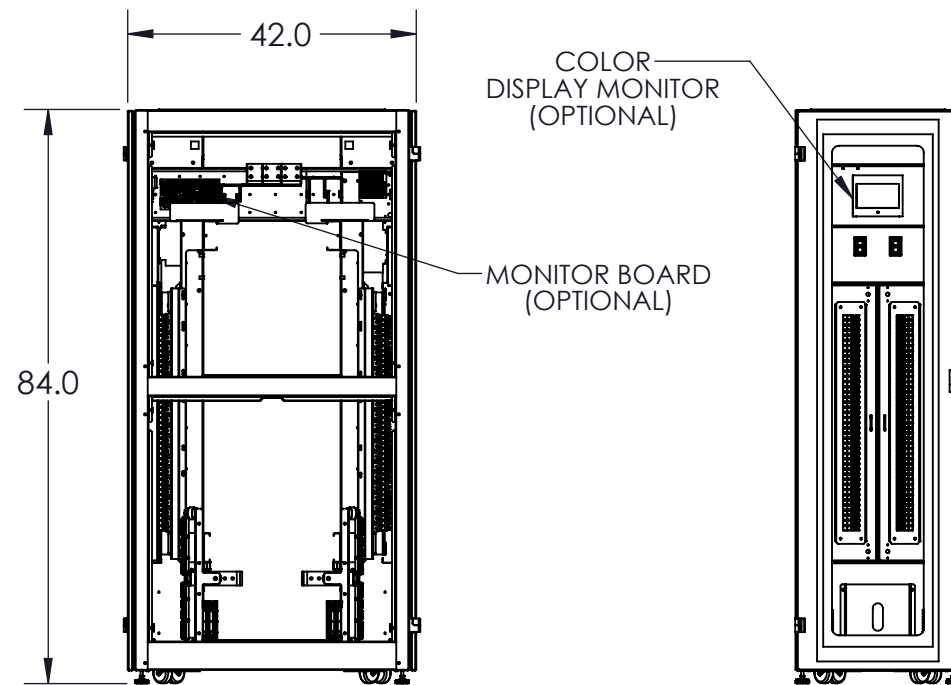


TOP VIEW

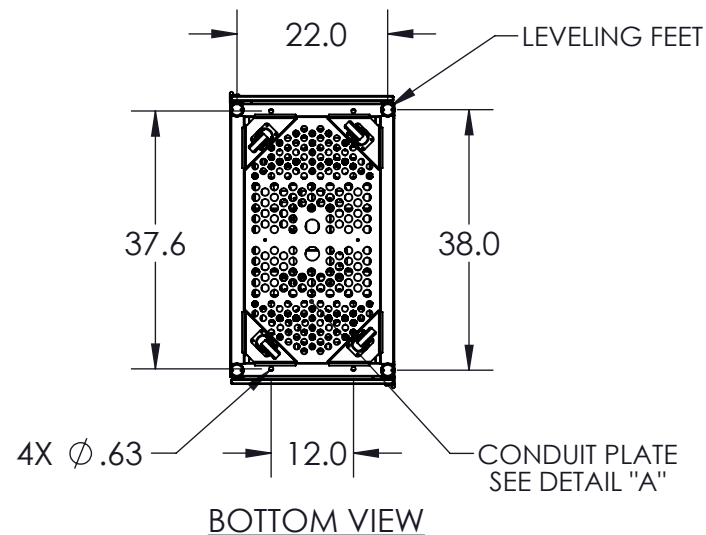


FRONT VIEW

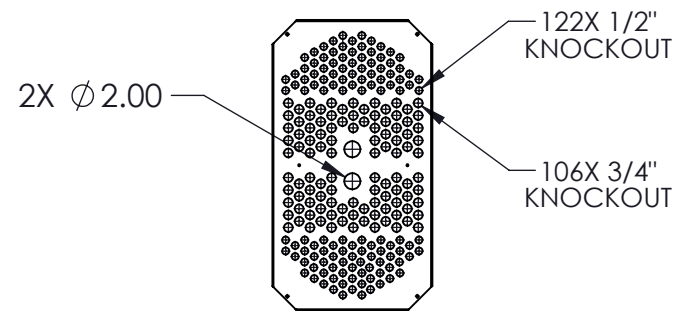


SIDE VIEW

REAR VIEW

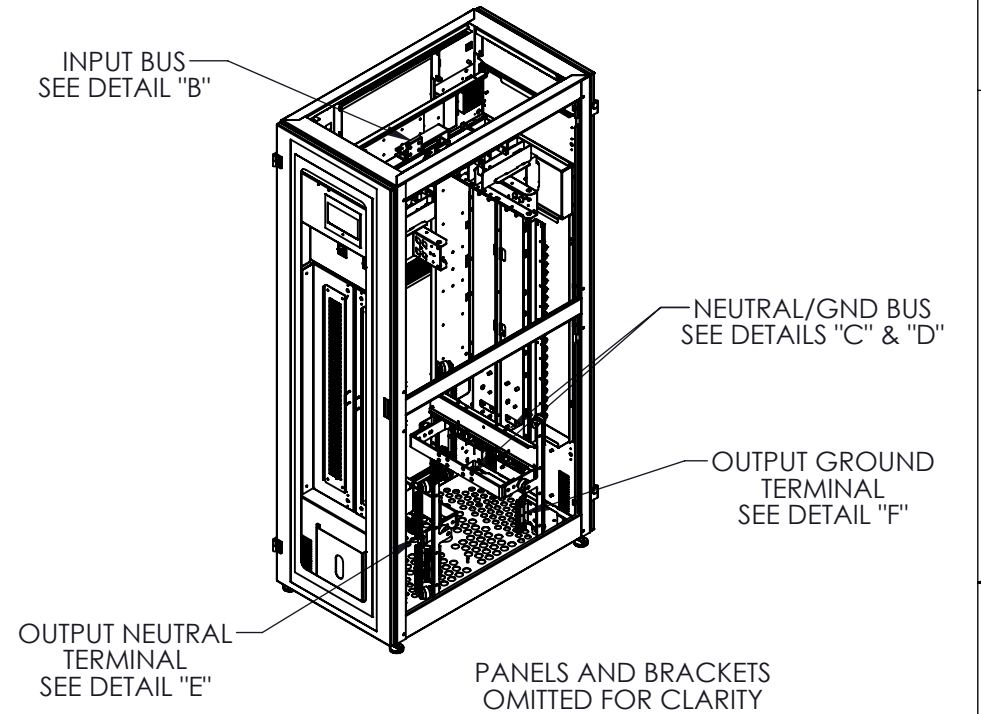


BOTTOM VIEW



DETAIL A  
BOTTOM CONDUIT PLATE

REVISIONS			
REV.	DESCRIPTION	DATE	APPROVED
A01	BOTTOM DIMENSION UPDATED	01-22-13	JS
B	REVISED INPUT BUSBAR CONFIG	04-11-13	JS
C	REV. 24" CONDUIT PLATE	05-19-14	JS
D	DOCUMENTATION UPDATE	02-13-15	JS



5. CONSULT NEC AND LOCAL REGULATIONS.
4. WEIGHT APPROX.: 650 lbs MAX.
3. FRONT & REAR 36in CLEARANCE FOR MAINTENANCE.
2. COLOR: BLACK.
1. DIMENSIONS ARE IN INCHES.

NOTES: UNLESS OTHERWISE SPECIFIED:

THIS DRAWING CONTAINS CONFIDENTIAL & PROPRIETARY INFORMATION AND SHALL NOT BE DISCLOSED OR COPIED WITHOUT THE EXPRESSED WRITTEN PERMISSION OF ONYX POWER, INC.

**ONYX**

THIRD ANGLE PROJECTION  
DO NOT SCALE DRAWING

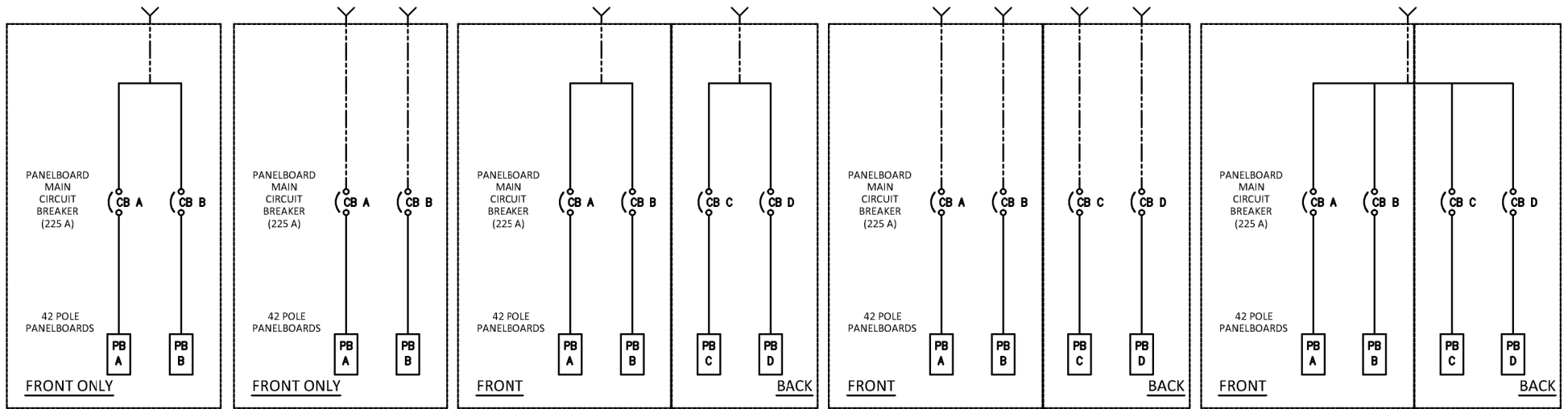
TITLE:  
REMOTE POWER DISTRIBUTION

APPROVALS		DATE
DRAWN	YRS	01-05-15
DESIGNED	YRS	01-05-15
CHECKED	JS	01-15-15
ENG. APPR.		
MFG. APPR.		

SIZE <b>B</b>	DWG. NO. <b>92-10500-00</b>	REV <b>D</b>
SCALE: 1:28	PART NO. 98-10500-084	SHEET 1 OF 4

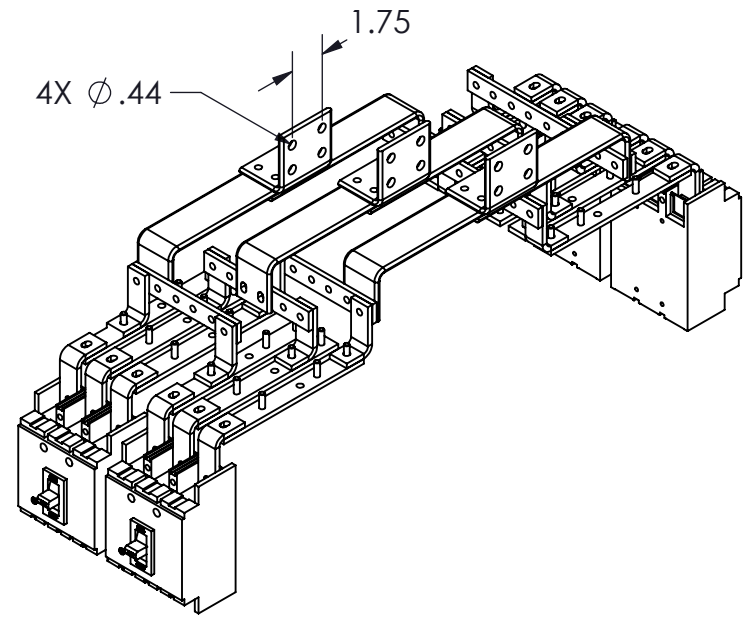
# REMOTE POWER DISTRIBUTION INPUT CONFIGURATIONS

- SYSTEM "A"  
 SINGLE INPUT  
 Two panelboards 84 poles  
 450A Max. Input  
 24" DEEP SYSTEM  
 42" DEEP SYSTEM
- SYSTEM "B"  
 DUAL INPUT  
 Two panelboards 84 poles  
 225A Max. Input per feed  
 24" DEEP SYSTEM  
 42" DEEP SYSTEM
- SYSTEM "C"  
 DUAL INPUT  
 Four panelboards 168 poles  
 450A Max. Input per feed
- SYSTEM "D"  
 FOUR INPUTS  
 Four panelboards 168 poles  
 225A Max. Input per feed
- SYSTEM "E"  
 SINGLE INPUT  
 Four panelboards 168 poles  
 450A Max. Input

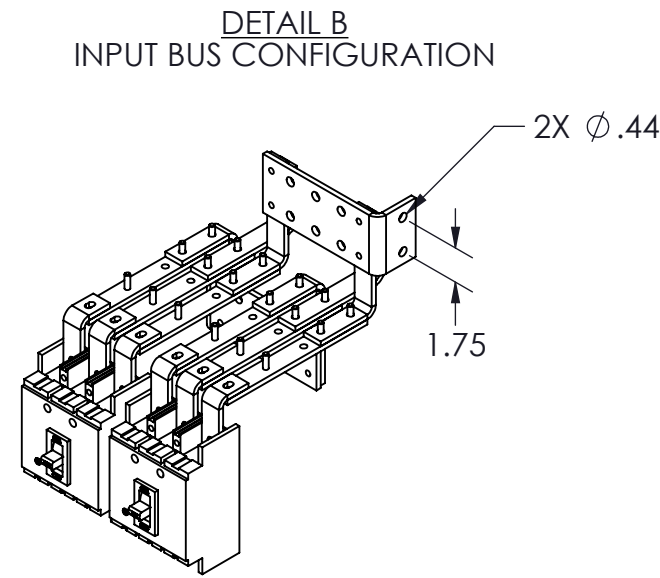


NOTES: 2.1 SYSTEM "A" AND "B" CONFIGURED IN A 24" DEEP AS STANDARD OR 42" DEEP AS OPTIONAL ENCLOSURE.  
 2.2 SYSTEM "C", "D" AND "E" CONFIGURED IN A 42" DEEP ENCLOSURE.

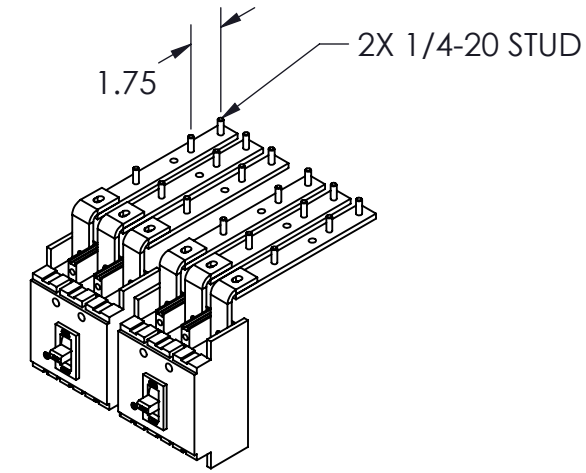
SIZE B	DWG. NO. 92-10500-00	REV D
SCALE: NONE		PART NO.
		SHEET 2 OF 4



**SINGLE FEED**  
(FOUR PANELBOARD, 168 POLES)  
225A-450A MAX. INPUT



**SINGLE FEED**  
(TWO PANELBOARD, 84 POLES)  
450A MAX. INPUT



**INDIVIDUAL FEEDS PER PANELBOARD**  
(TWO PANELBOARD, 84 POLES)  
225A PER FEED

SINGLE INPUT SYSTEMS HAVE INTERCONNECT NEUTRAL AND GROUND BUSSES AND MAY ONLY REQUIRE ONE NEUTRAL CONNECTION AND ONE GROUND CONNECTION PER SYSTEM.

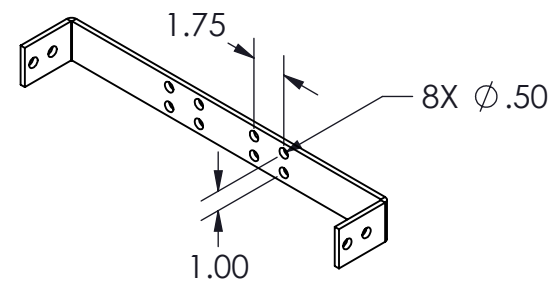
**ELECTRICAL SPECIFICATIONS**

INPUT VOLTAGE:	208-240 VAC 4W+G (60HZ)
INPUT CURRENT:	225A (INDIVIDUAL PANELBOARD FEEDS) 225-450A (SHARED PANELBOARD FEEDS)
HEAT REJECTION	TWO PANELBOARD: 1,500 BTUh MAX. FOUR PANELBOARD: 3,000 BTUh MAX.

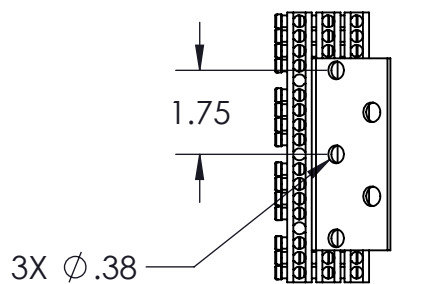
**SUGGESTED CABLE SIZING**

INPUT PHASE CONDUCTORS:	225A 1x4/0 AWG 450A 2x4/0 AWG
INPUT NEUTRAL CONDUCTORS:	100% NEUTRAL 225A 1x4/0 AWG 450A 2x4/0 AWG 200% NEUTRAL 225A 2x4/0 AWG 450A 4x4/0 AWG
GROUND CONDUCTOR:	225A 1x#04 AWG 450A 1x#03 AWG

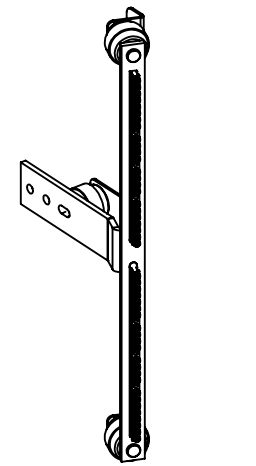
CONSULT LOCAL AND NATIONAL CODES FOR PROPER CABLE SIZING. ABOVE CABLE SIZING IS ONLY SUGGESTED AND MAY NOT APPLY IN ALL JURISDICTIONS.



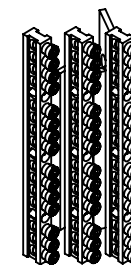
**DETAIL C**  
NEUTRAL BUS



**DETAIL D**  
GROUND BUS



**DETAIL E**  
NEUTRAL TERMINAL  
45 X 6-14AWG

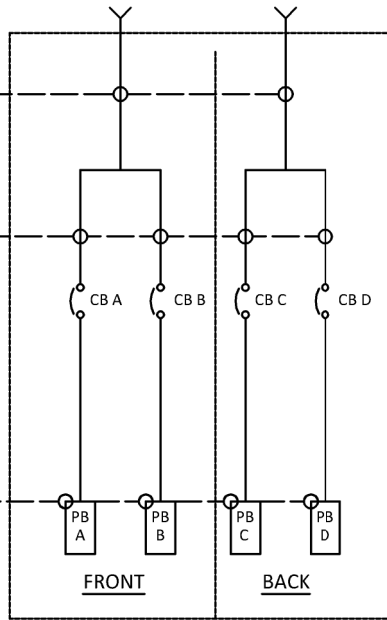


**DETAIL F**  
GROUND TERMINAL  
45 X 6-14AWG

SIZE	DWG. NO.	REV
<b>B</b>	<b>92-10500-00</b>	<b>D</b>
SCALE: 1:8	PART NO. 98-10500-084_CB-Q4	SHEET 3 OF 4

## REMOTE POWER DISTRIBUTION MONITORING AND CIRCUIT BREAKER OPTIONS

- SYSTEM LEVEL MONITORING
- WAVESTAR
  
- PANELBOARD MAIN BREAKER MONITORING
- BCMS
  
- PANELBOARD BRANCH CIRCUIT MONITORING
- 60A MAX. CB CURRENT
- 100A MAX. CB CURRENT
- SNMP/HTTP NETWORK MANAGEMENT SYSTEM



MONITORING COMMUNICATION CONNECTIONS			
RS485 UPSTREAM AND DOWNSTREAM			
FOUR WIRES	TWO WIRES		
Rx+	1	Tx+/Rx+	1
Rx-	2	Tx-/Rx-	2
GRD	3	GRD	3
Tx+	4		
Tx-	5		

*CONSULT MONITORING MANUAL FOR DETAILS ON CONNECTIONS.*

MONITORING SYSTEM CONFIGURATIONS				
"A"	"B"	"C"	"D"	"E"
<input type="checkbox"/> 1 DISPLAY <input type="checkbox"/> 1 BCMS	<input type="checkbox"/> 1 DISPLAY <input type="checkbox"/> 1 BCMS	<input type="checkbox"/> 1 DISPLAY (STANDARD) <input type="checkbox"/> 2 DISPLAYS (OPTIONAL) <input type="checkbox"/> 2 BCMS	<input type="checkbox"/> 1 DISPLAY (STANDARD) <input type="checkbox"/> 2 DISPLAYS (OPTIONAL) <input type="checkbox"/> 2 BCMS	<input type="checkbox"/> 1 DISPLAY (STANDARD) <input type="checkbox"/> 2 DISPLAYS (OPTIONAL) <input type="checkbox"/> 2 BCMS

CIRCUIT BREAKER OPTIONS (SQUARE D)							
<input type="checkbox"/> STANDARD	<input type="checkbox"/> OPTION 1	<input type="checkbox"/> OPTION 2	<input type="checkbox"/> OPTION 3	<input type="checkbox"/> OPTION 4	<input type="checkbox"/> OPTION 5	<input type="checkbox"/> OPTION 6	<input type="checkbox"/> OPTION 7
QDP32225TP	QGP32225TP	JDP32225	JGP32225	JJP32225	JDP32225C	JGP32225C	JJP32225C
80 % RATED	80 % RATED	80 % RATED	80 % RATED	80 % RATED	100 % RATED	100 % RATED	100 % RATED
25KAIC @ 240VAC	65KAIC @ 240VAC	25KAIC @ 240VAC	65KAIC @ 240VAC	100KAIC @ 240VAC	25KAIC @ 240VAC	65KAIC @ 240VAC	100KAIC @ 240VAC

- NOTES: 4.1 ALL MONITORS HAVE A DRY CONTACT OUTPUT (PROGRAMMABLE). SEE MANUAL DETAILS.  
 4.2 ALL MONITORS PROVIDED WITH A RS485 SERIAL COMMUNICATIONS BUS WITH MODBUS PROTOCOL.  
 4.3 OPTIONAL SNMP (ONLY FOR WAVESTAR) AND HTTP GATEWAY WITH ETHERNET OUTPUT IS SHARED AMONG MULTIPLE MONITORING DEVICES.  
 4.4 BCM CAN BE PROVIDED WITH 60A CTS STANDARD OR 100A CTS AS OPTIONAL.

SIZE B	DWG. NO. 92-10500-00	REV D
SCALE: NONE	PART NO.	SHEET 4 OF 4