

FRONT VIEW

(DOOR & COVERS REMOVED)

NOTE: REAR HAS (1) PANELBOARD AND (1) CIRCUIT BREAKER

MOLDED CASE CIRCUIT  
BREAKERS/SWITCH WITH  
PLUG-IN BASE

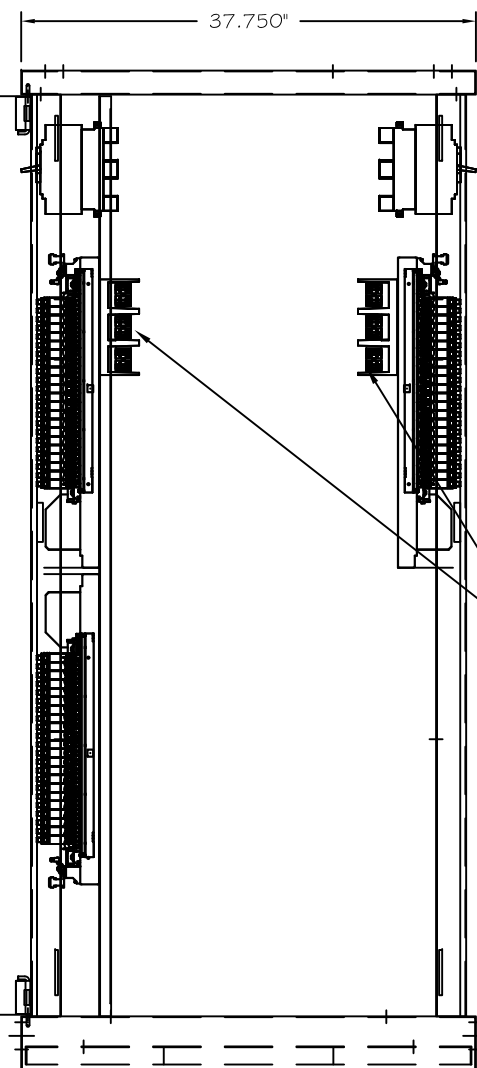
(42) CIRCUIT "MLO"  
PANEL BOARD

NEUTRAL

ISOLATION GROUND  
(OPTIONAL)

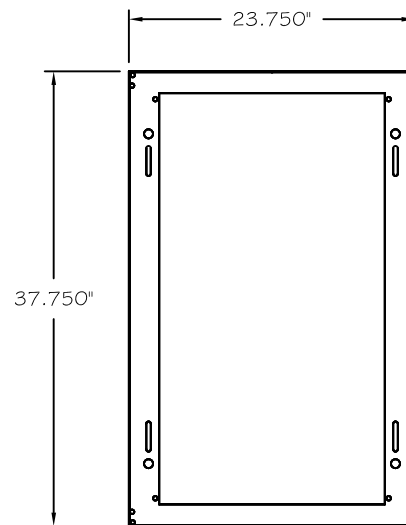
NEUTRAL

EQUIPMENT GROUND



SIDE VIEW

(COVERS REMOVED)



FOOT PRINT

NEUTRAL  
EQUIPMENT GROUND  
ISOLATION GROUND(OPTIONAL)

NOTES:

1. HINGED REMOVABLE PANELS PROVIDED ON SIDES.
2. ACCESS: MINIMUM 36" FROM FRONT & REAR OF ENCLOSURE IS REQUIRED FOR OPERATION. SIDE ACCESS IS REQUIRED FOR INSTALLATION AND MAINTENANCE.
3. APPROXIMATE WEIGHT: 750lbs.
4. (3) CIRCUIT BREAKERS, (3) PANELBOARDS
5. (168+) 0.875Ø KNOCKOUTS PROVIDED.

THIS DRAWING CONTAINS CONFIDENTIAL & PROPRIETARY INFORMATION AND SHALL NOT BE DISCLOSED OR COPIED WITHOUT THE EXPRESSED, WRITTEN PERMISSION OF POWER DISTRIBUTION INC.		TITLE -OUTLINE- REMOTE POWER PANEL (RPP) (3) MAINS, (3) PNLBRDS		
		DWG. NUMBER	SHEET 1 OF 1	REVISION
		RPP18285		-A-
		DRAWN BY	ISF	CHECKED BY
DATE	04-22-15	DATE	04-22-15	

