

GENERAL SPECIFIED

CABINET CHARACTERISTIC:

ENCLOSURE : NEMA 1

LOCATION : INDOOR

MECHANICAL:

MOUNTING: FREE STAND OR FLOOR STAND

MATERIAL: STEEL

FINISH: EXTERIOR PANELS: PEARL WHITE OR CARBIDE BLACK

WEIGHT : 375 LBS. APPROX.

ELECTRICAL:

INPUT #1: 208 VAC 3PH-4W W/GND @ 60 HZ, 400A (MAX) (2 EA. # 2/O-350 MCM

CU FOR GROUND AND NEU, 5/16" HOLE AT BREAKER BUS FOR POWER INPUT)

INPUT #2: 208 VAC 3PH-4W W/GND @ 60 HZ, 400A (MAX) (2 EA. # 2/O-350 MCM

CU FOR GROUND AND NEU, 5/16" HOLE AT BREAKER BUS FOR POWER INPUT)

OUTPUT PB #1: 42 POLE, BOLT ON CIRCUIT BREAKER

OUTPUT PB #2: 42 POLE, BOLT ON CIRCUIT BREAKER

OUTPUT PB #3: 42 POLE, BOLT ON CIRCUIT BREAKER

OUTPUT PB #4: 42 POLE, BOLT ON CIRCUIT BREAKER

ENVIRONMENTAL:

OPERATING AMBIENT TEMPERATURE 0°C TO 40°C (32°F TO 104°F)

RELATIVE HUMIDITY: 0% TO 95% NON-CONDENSING

ALTITUDE: 10,000 FT MAX

UNLESS OTHERWISE SPECIFIED:
DIMENSIONS ARE IN INCHES
[] IN MILLIMETER
ANGULAR: ±0.5° BEND ±1°
TWO PLACE DECIMAL ±0.02
THREE PLACE DECIMAL ±0.005

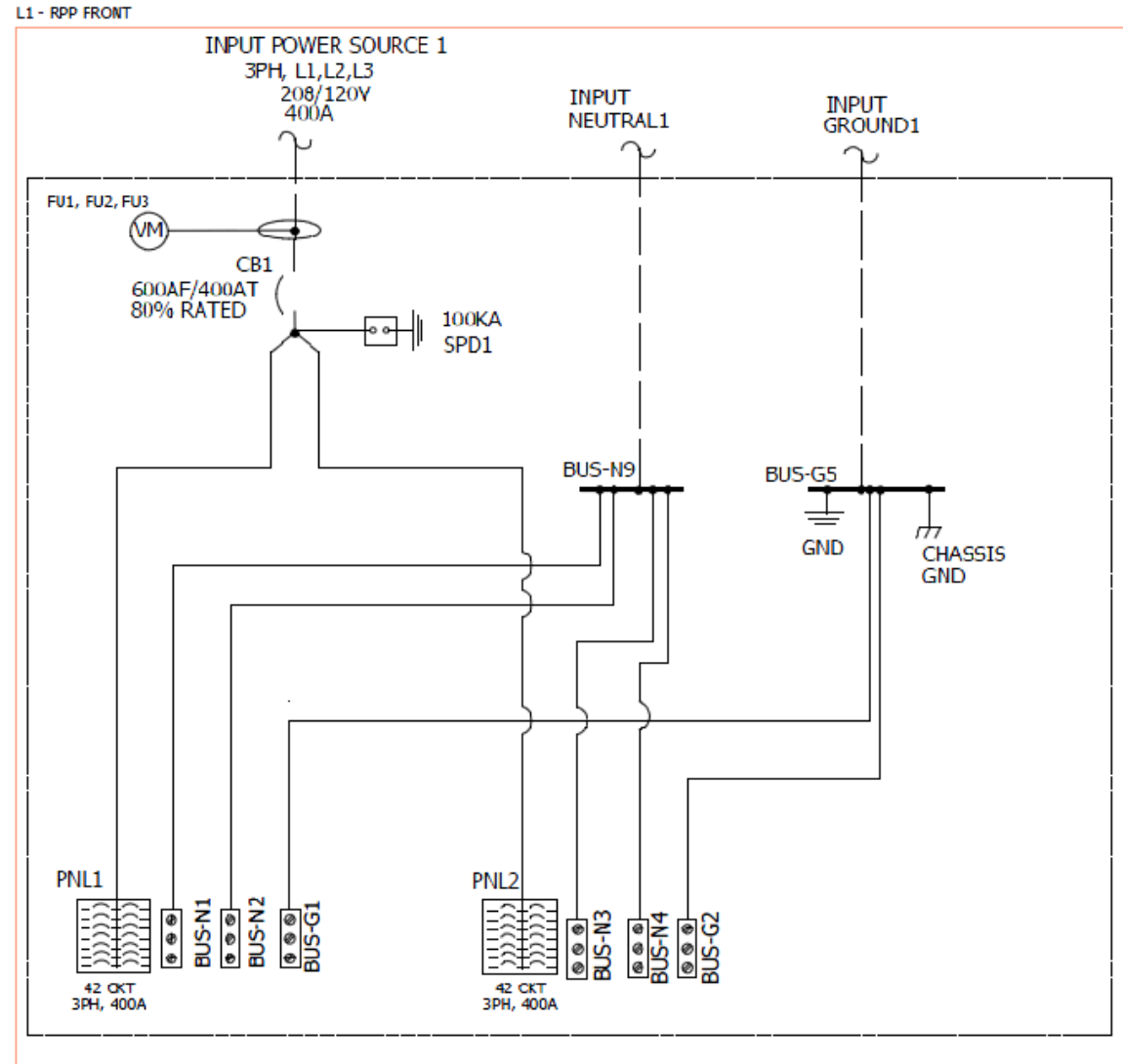
THIS DRAWING CONTAINS
CONFIDENTIAL & PROPRIETARY
INFORMATION AND SHALL NOT
BE DISCLOSED OR COPIED
WITHOUT THE EXPRESSED,
WRITTEN PERMISSION OF
SMITHS POWER



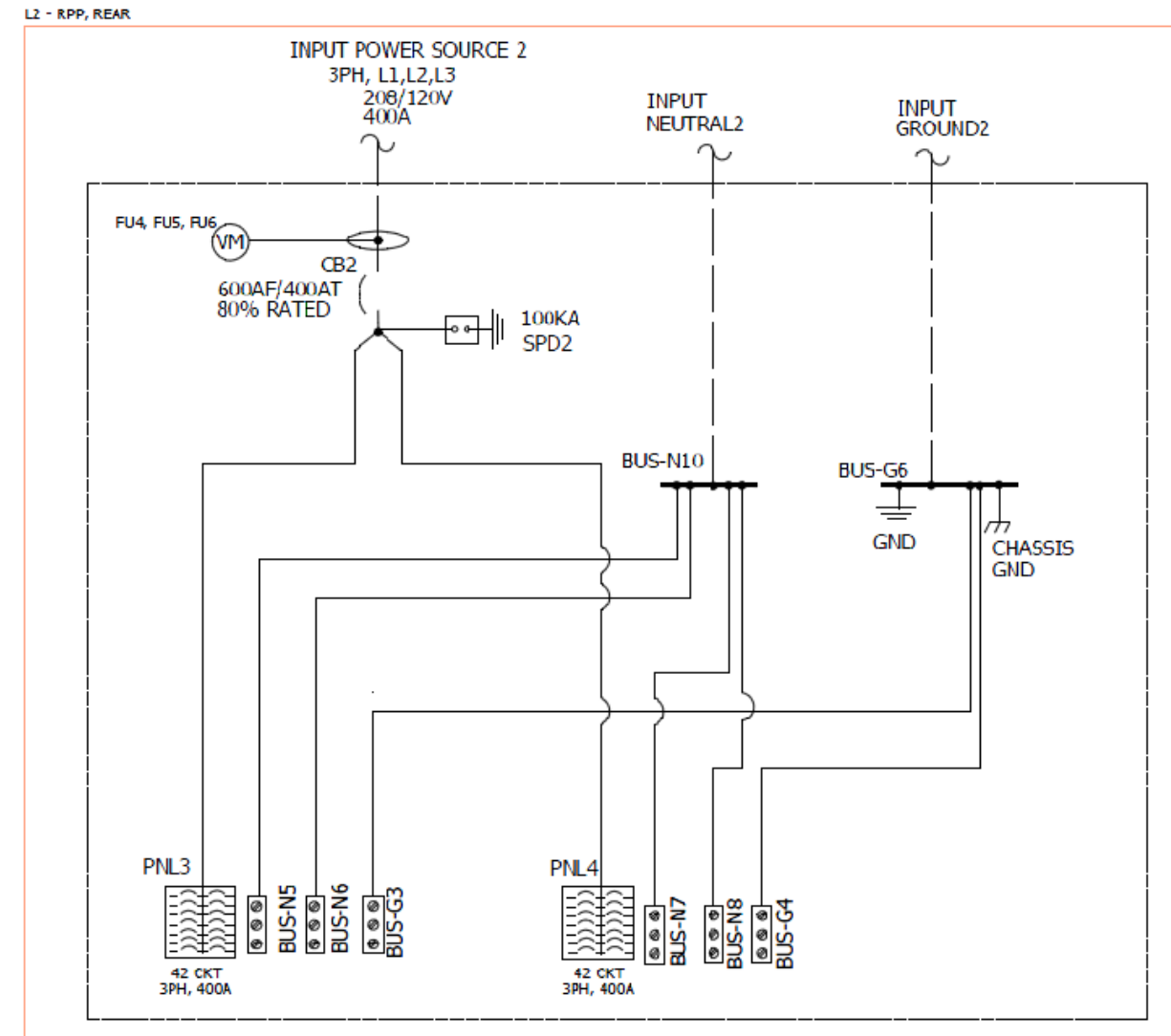
THIRD ANGLE PROJECTION		DO NOT SCALE DRAWING	
APPROVALS		DATE	
DRAWN	IF	11/4/15	
CHECKED	LJN	11/4/15	
ENG. APPR.			

TITLE: RPP (2 OR 4) 400A 42P WITH MONITOR		
SIZE B	DWG. NO. RPP19194	REV A
PART NO.		SHEET 1 OF 2

RPP FRONT



RPP REAR



SIZE B	DWG. NO. RPP19194	REV A
SCALE: NTS		SHEET 2 OF 2