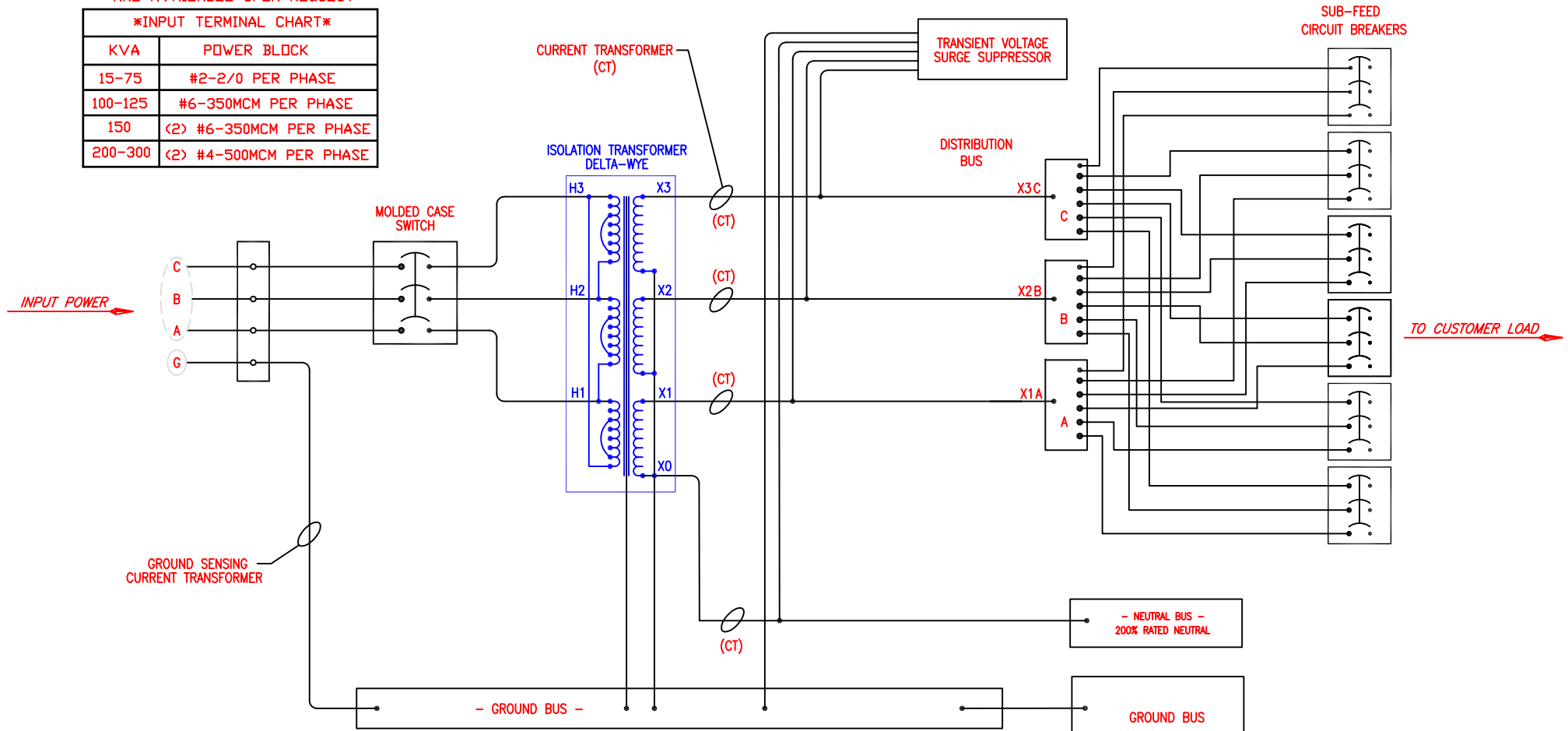


\*OTHER TERMINAL CONFIGURATIONS ARE AVAILABLE UPON REQUEST

*INPUT TERMINAL CHART*	
KVA	POWER BLOCK
15-75	#2-2/0 PER PHASE
100-125	#6-350MCM PER PHASE
150	(2) #6-350MCM PER PHASE
200-300	(2) #4-500MCM PER PHASE



**Notes:**

- 1. ○ = Customer connections.
- 2. ● = Factory connections.

TITLE			
<b>ONLINE, POWERPAK PD W/G SUB FEEDS</b>			
THIS DRAWING CONTAINS CONFIDENTIAL & PROPRIETARY INFORMATION AND SHALL NOT BE DISCLOSED OR COPIED WITHOUT THE EXPRESSED WRITTEN PERMISSION OF POWER DISTRIBUTION INC.	PART NO.	1 OF 1	REVISION
	DWG35052-3	DWG35052-3	-A-
DATE	7/30/15		<b>PDI</b> creating the perfect wave
SCALE	NTS		
DRAWN BY	RAE		
REV DATE	N/A		