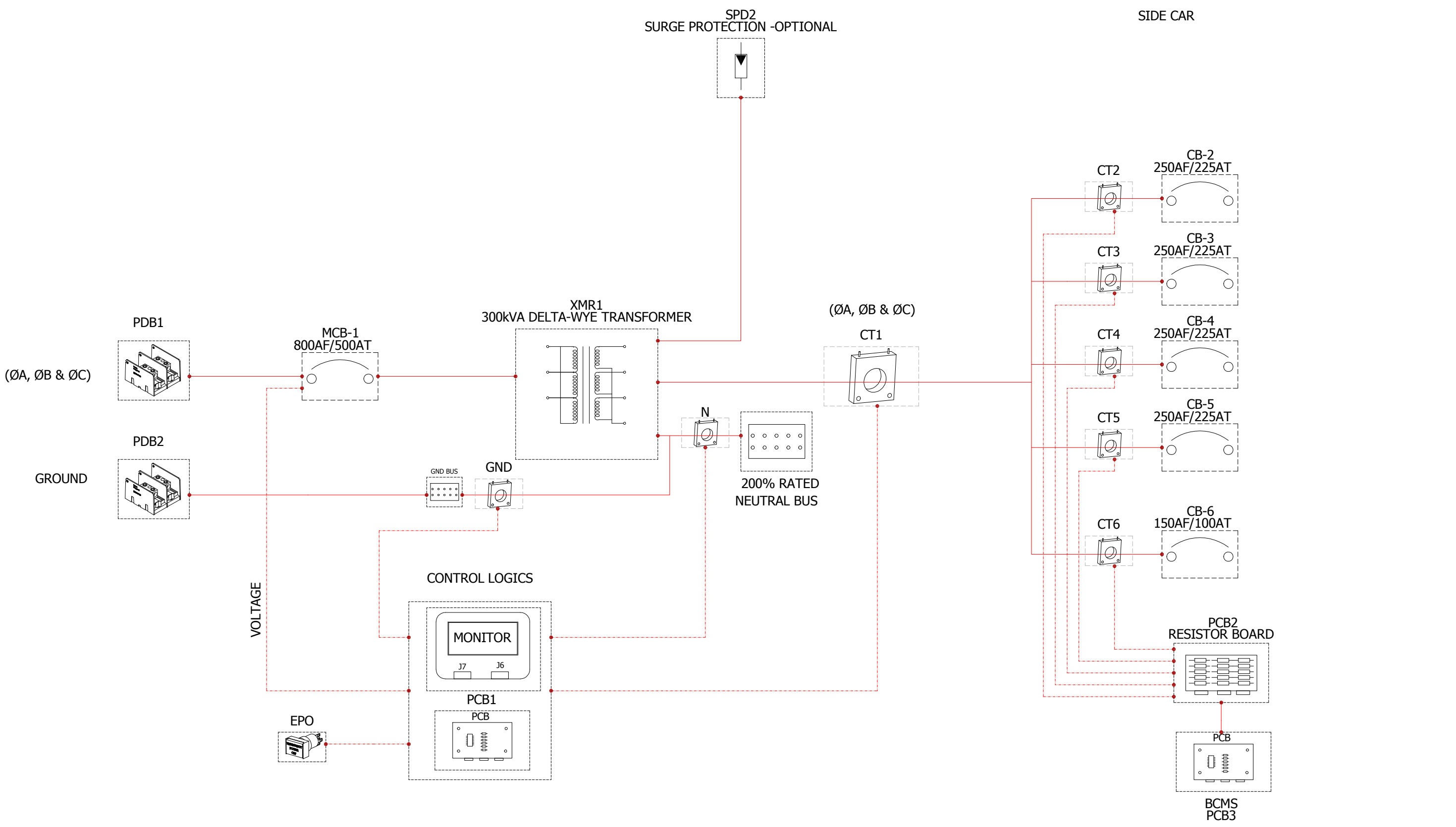


A B C D E F G H I J K

1  
2  
3  
4  
5  
6



<p>THIS DRAWING CONTAINS CONFIDENTIAL &amp; PROPRIETARY INFORMATION AND SHALL NOT BE DISCLOSED OR COPIED WITHOUT THE EXPRESSED, WRITTEN PERMISSION OF POWER DISTRIBUTION INC.</p> <p>www.pdicorp.com</p>	One Line diagram				REVISION A	
	SIZE	B	CREATED:	NK	4/27/2015	PAGE
			CHECKED:	LN	4/27/2015	
			APPROVED:	NK	4/27/2015	01 OF 1
<p>PDU FRNT ACCESS 4 400 AND 1 100A SUBFEEDING NO. PDU18306-0</p>						