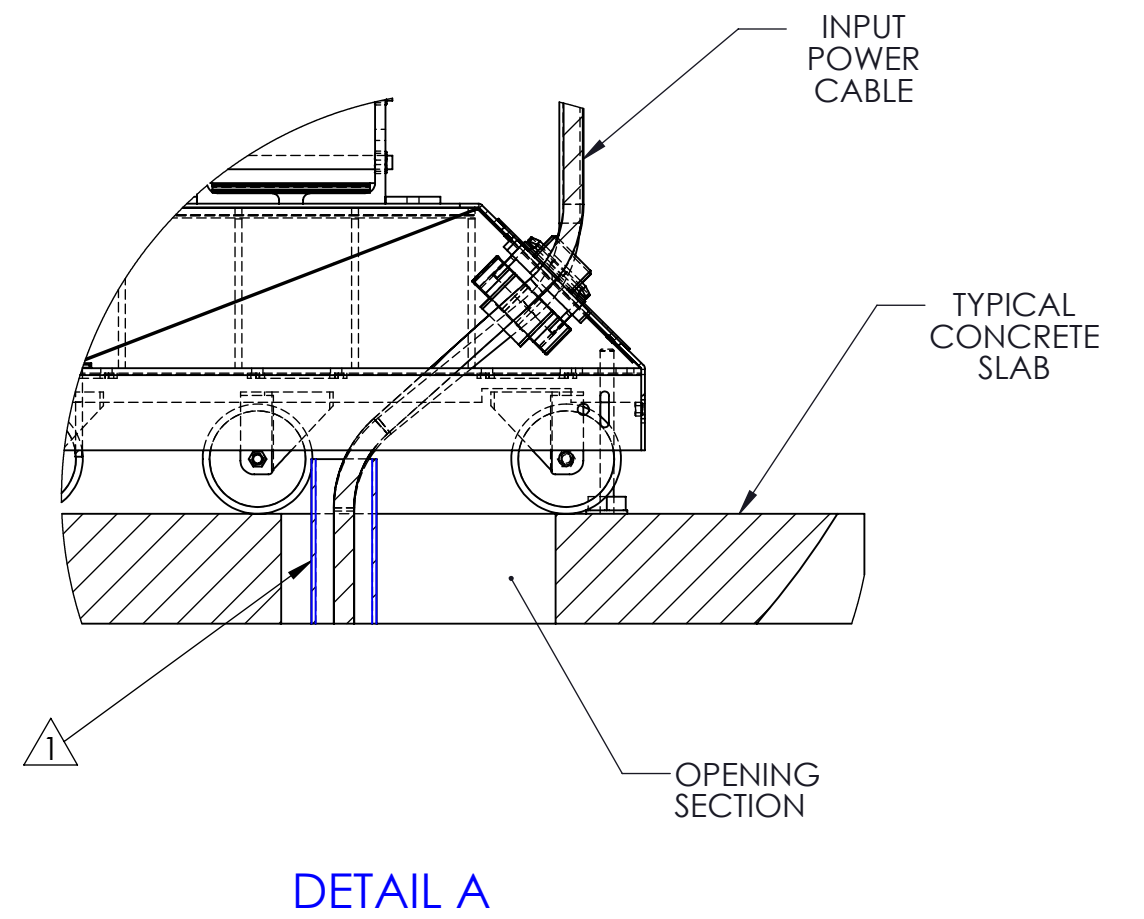
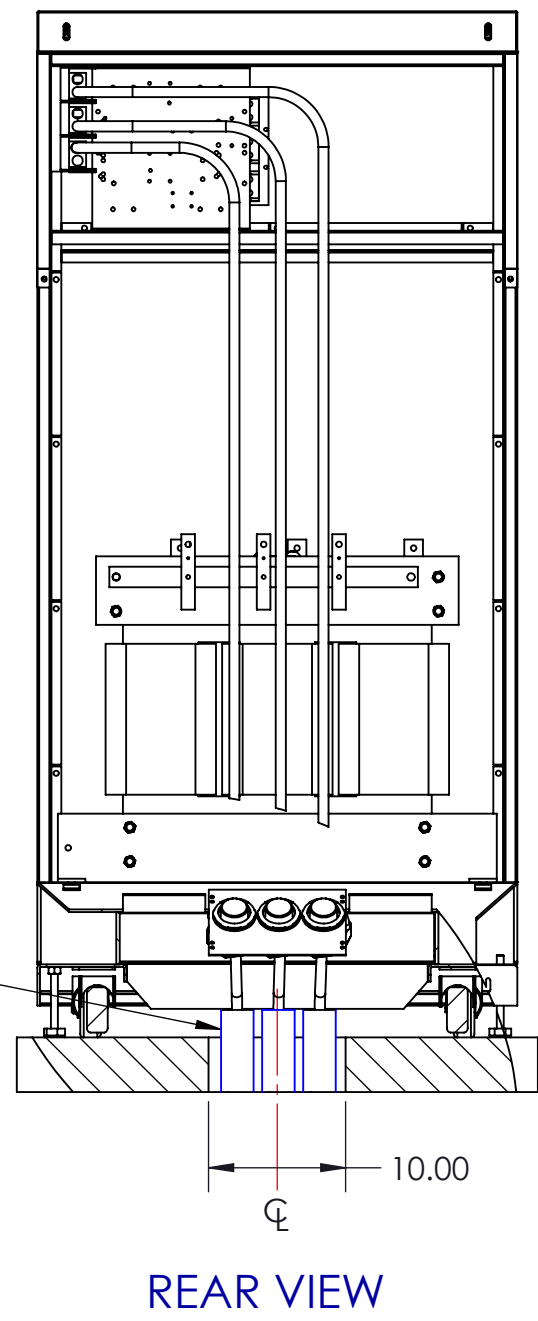
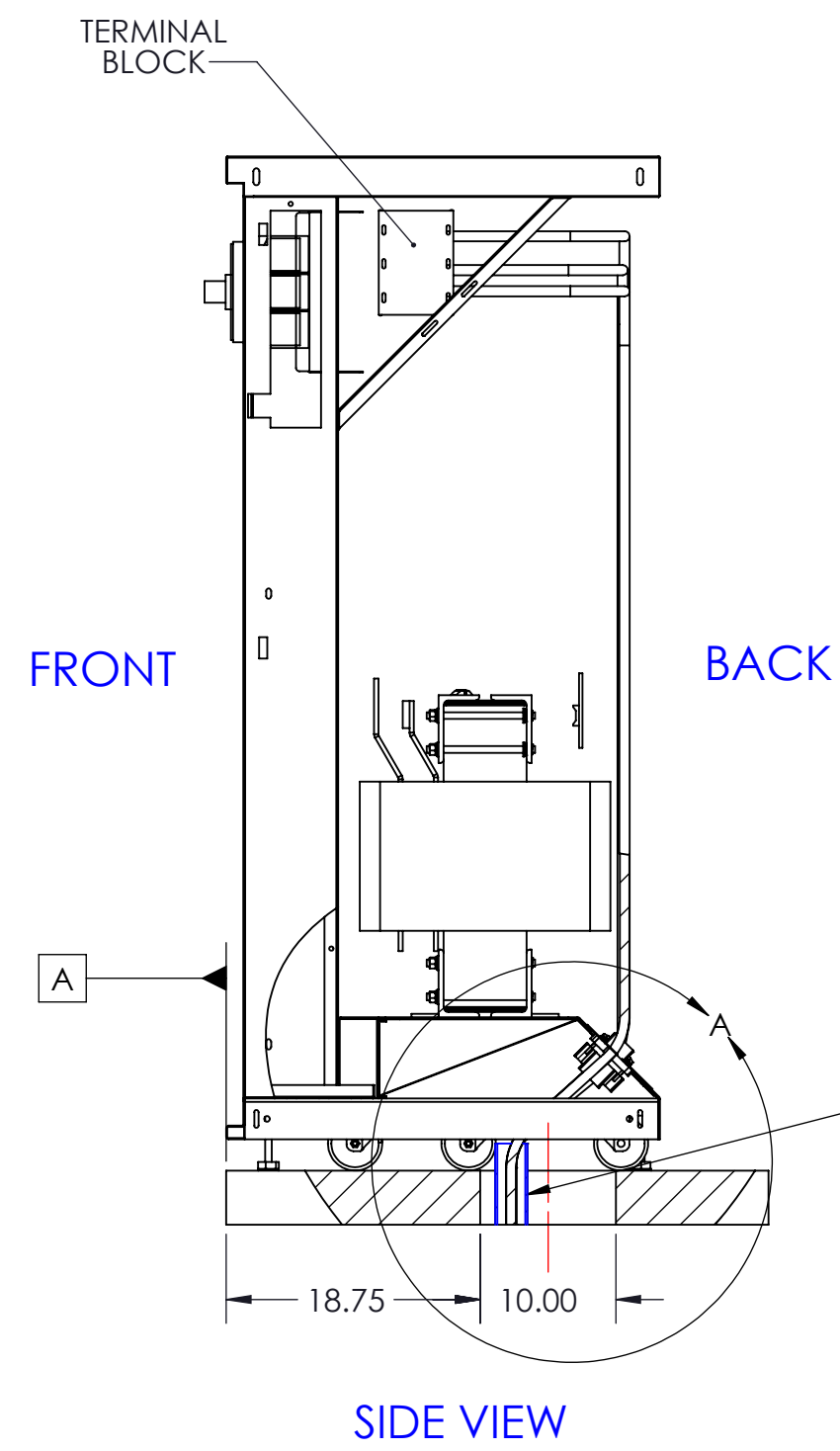


REVISIONS			
REV.	DESCRIPTION	DATE	APPROVED
A	INITIAL RELEASE	5/28/13	RM



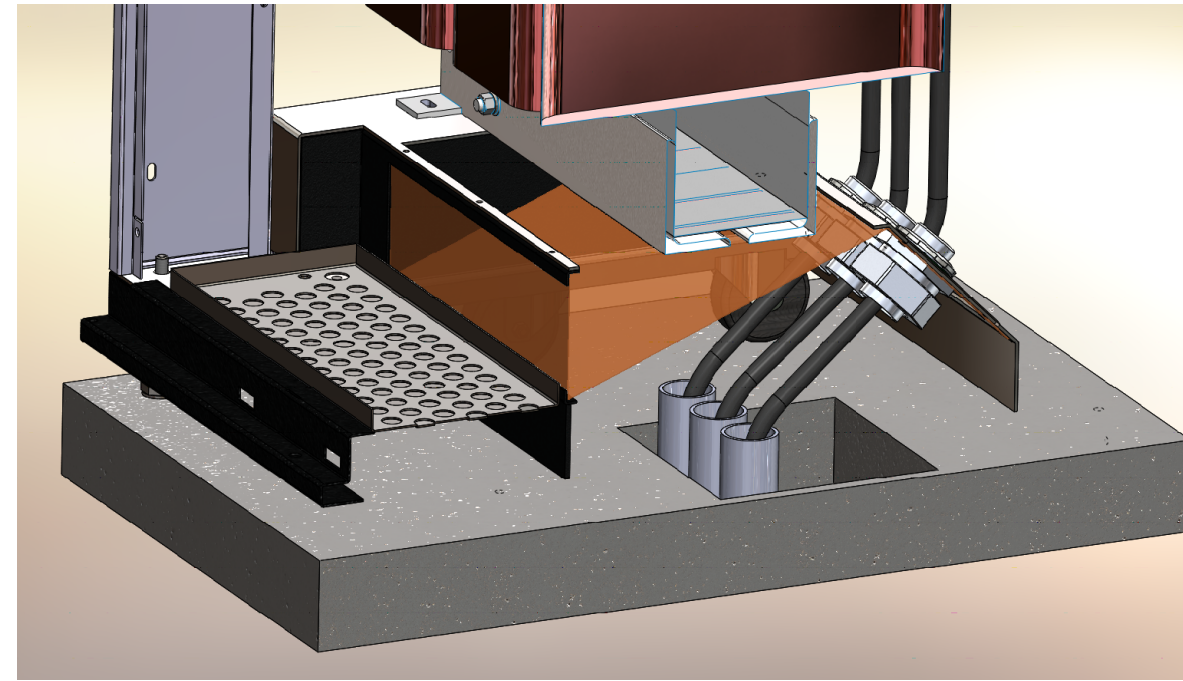
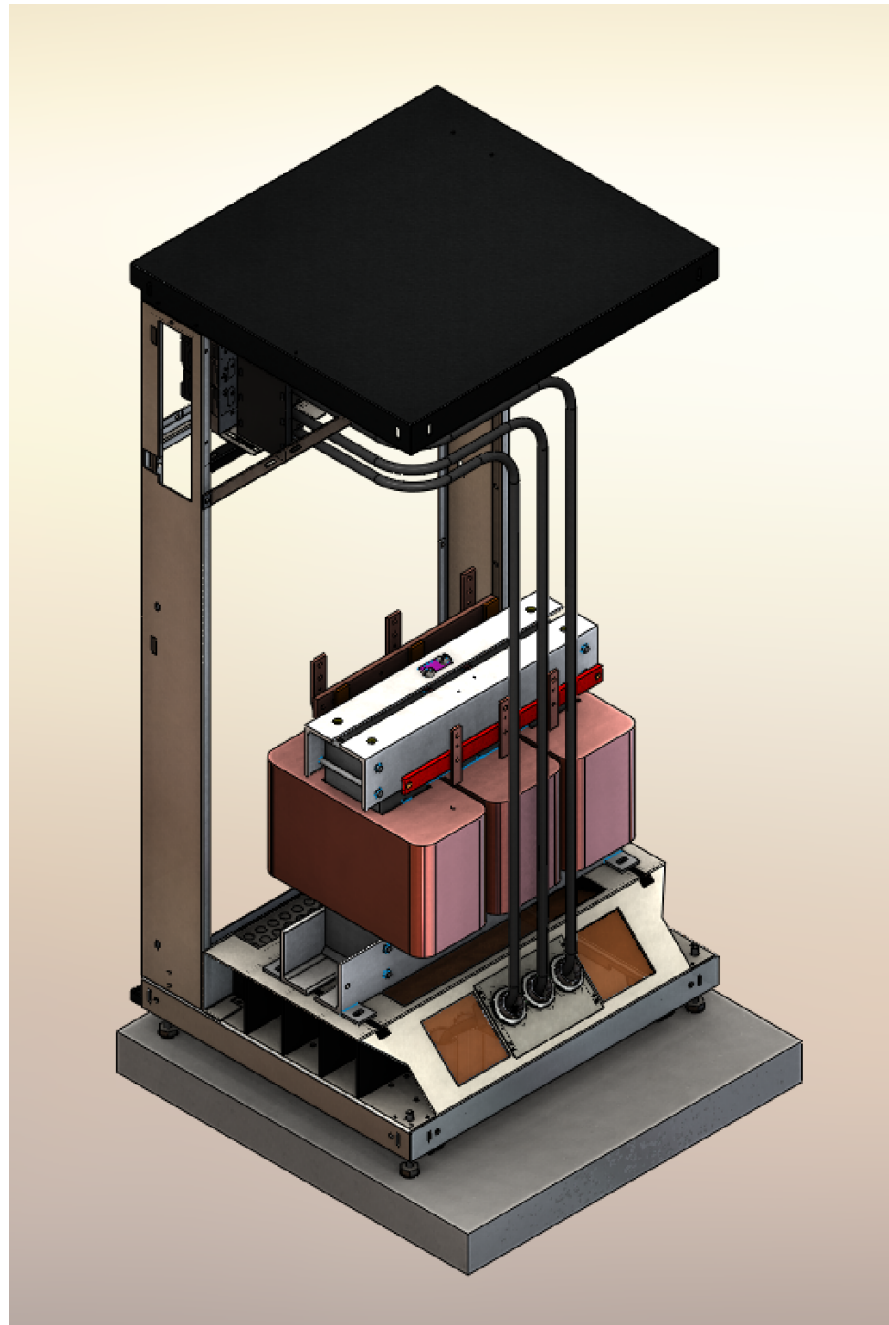
NOTE:

1 TYPICAL 2 INCH CONDUIT

UNLESS OTHERWISE SPECIFIED: DIMENSIONS ARE IN INCHES TOLERANCES: ANGULAR: ± TWO PLACE DECIMAL ±0.02 THREE PLACE DECIMAL ±0.015 THIS DRAWING CONTAINS CONFIDENTIAL & PROPRIETARY INFORMATION AND SHALL NOT BE DISCLOSED OR COPIED WITHOUT THE EXPRESSED, WRITTEN PERMISSION OF POWER DISTRIBUTION INC.	 THIRD ANGLE PROJECTION		 creating the perfect wave		TITLE: POWER PACK PDU BOTTOM INPUT OUTLINE		
	MATERIAL:		4200 Oakley's Court Richmond, Va. 23223 Ph: 804-737-9880/Fax: 804-737-1703		SIZE B	DWG. NO. DOC15318	REV A
	FINISH:		DRAWN LN	5/28/13	SCALE:		
	WEIGHT:		CHECKED LN	5/28/13	PART NO.		
			ENG. APPR.	SHEET 1 OF 2			

8 7 6 5 4 3 2 1

D
C
B
A



SHOWING CUT OUT SIDE VIEW
IN CONCRETE FLOOR



SHOWING REAR
BOTTOM

8 7 6 5 4 3 2 1

SIZE B	DWG. NO. DOC15318	REV A
SCALE:	PART NO.	SHEET 2 OF 2