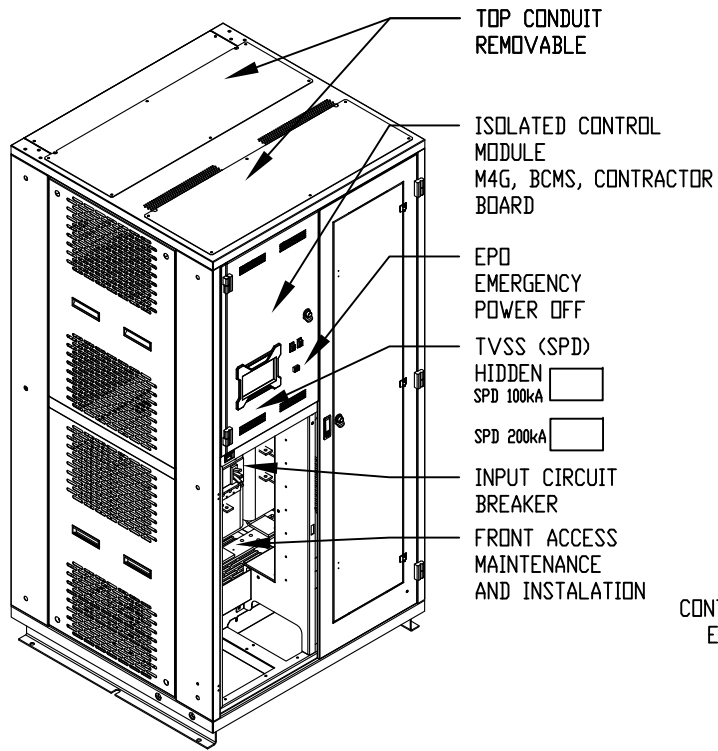
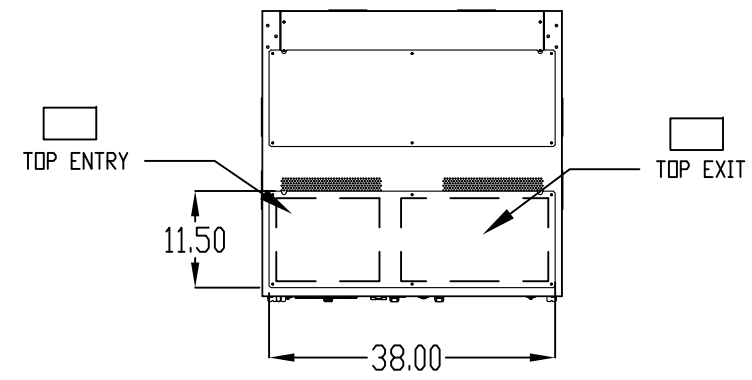


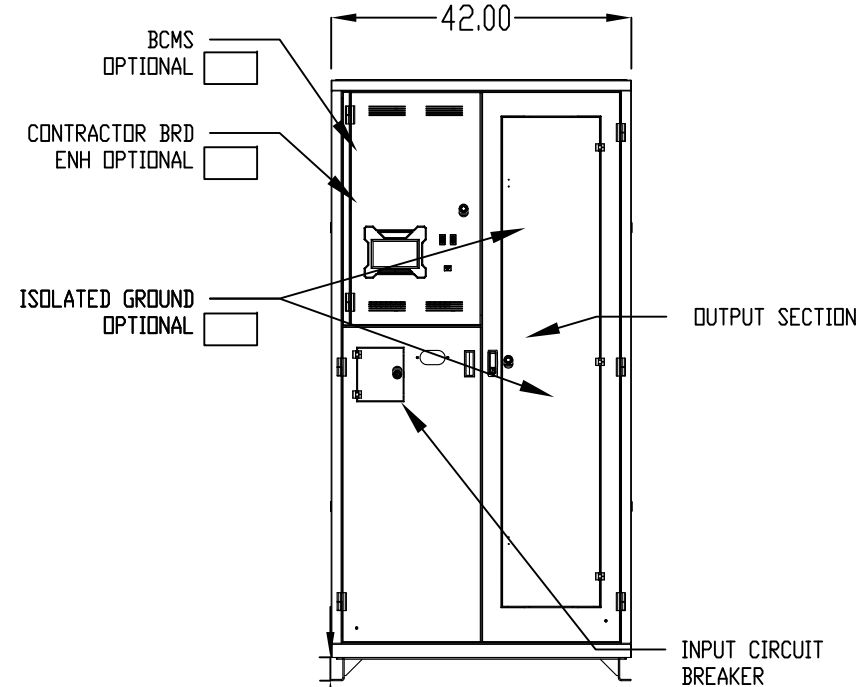
REVISIONS			
REV.	DESCRIPTION	DATE	APPROVED
X0	SUBMITTAL RELEASE	5/27/16	LG



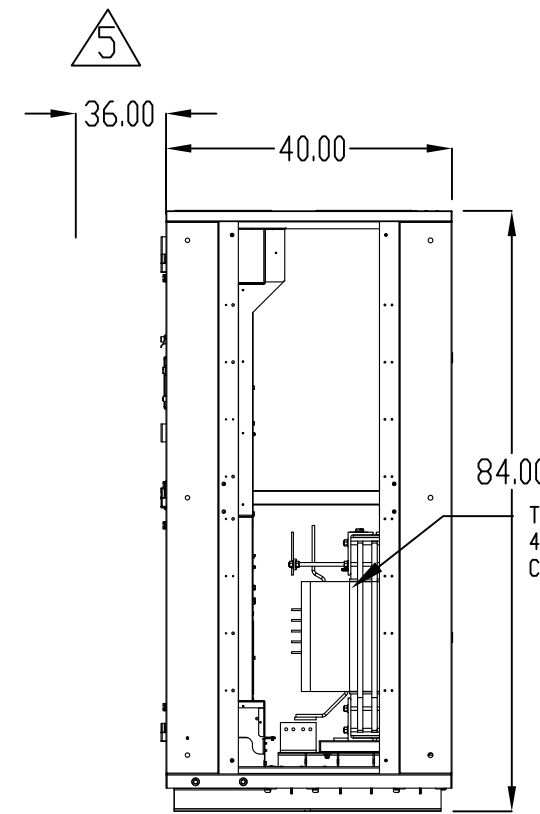
ISO VIEW



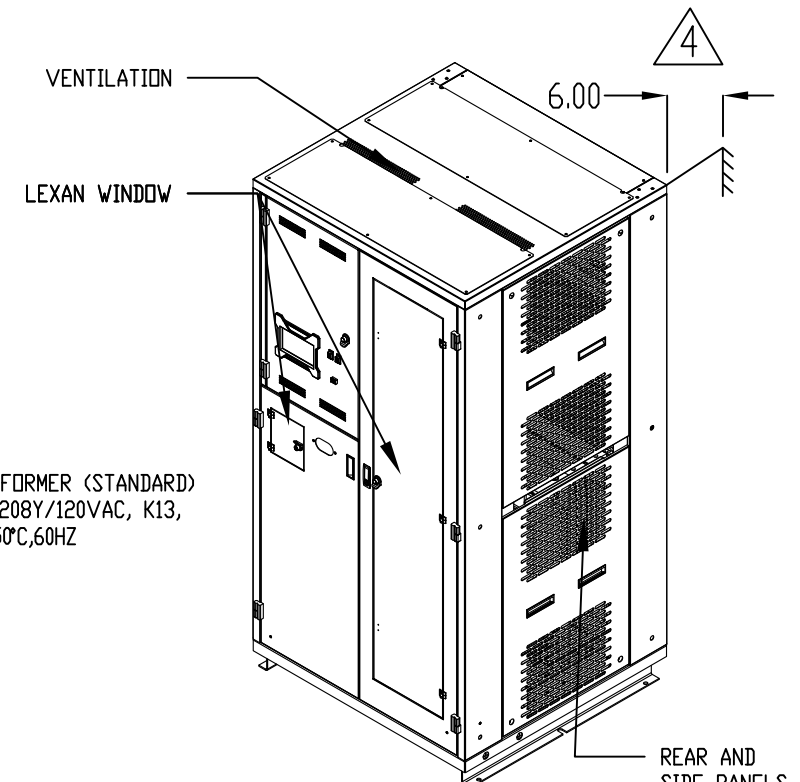
TOP VIEW



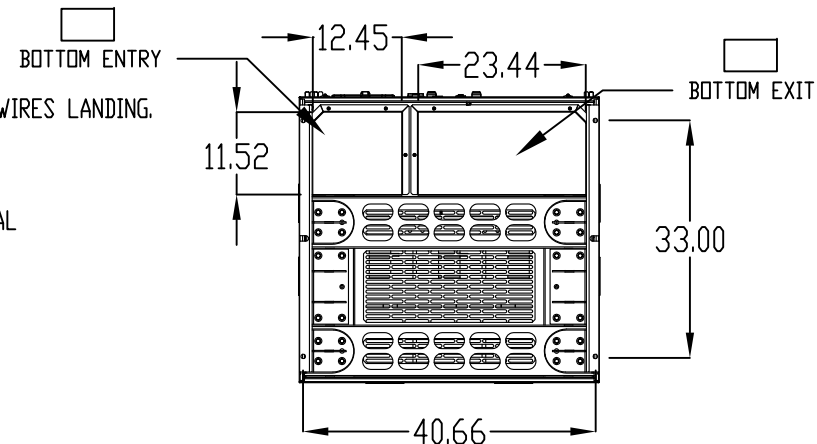
FRONT VIEW



SIDE VIEW



ISO VIEW



BOTTOM VIEW

- ▲ INPUT CIRCUIT BREAKER BOTTOM OFFER MECHANICAL LUGS ONLY FOR WIRES LANDING.
- ▲ THE DEPTH OF THE UNIT DEPENDING ON TRANSFORMER SPECIFICATIONS THE DIMENSION MAY VARY FROM PRELIMINARY TO ACTUAL SUBMITTAL.
- 10. CONSULT NATIONAL ELECTRIC CODE (NEC) AND LOCAL REGULATIONS
- 9. ALL CUSTOMER SUPPLIED CABLE CONNECTIONS BASED ON 75°C CU OR AL
- 8. COLOR: IBM PEARL WHITE AND BLACK; OTHER COLOR OPTIONAL
- ▲ CONSULT THE FACTORY FOR TRANSFORMER SIZE
- 6. APPROXIMATE WEIGHT:

400kVA	300kVA	225kVA	150kVA	100kVA
3800 LB	3200 LB	3000 LB	2700 LB	2500 LB
- ▲ MINIMUM CLEARANCE FOR DOORS
- ▲ MINIMUM VENTILATION CLEARANCE FOR REAR AND ONE SIDE
- ▲ ALL OPERATORS CONTROLS ARE FRONT ACCESS WITHOUT EXPOSURE TO LIVE PARTS
- 2. FRONT ACCESS INSTALLATION AND MAINTENANCE
- 1. ALL DIMENSION ARE IN INCHES
- NOTES: UNLESS OTHERWISE SPECIFIED

UNLESS OTHERWISE SPECIFIED:
 DIMENSIONS ARE IN INCHES
 [] IN MILLIMETER
 ANGULAR: ±0.5° BEND ±1°
 TWO PLACE DECIMAL ±0.02
 THREE PLACE DECIMAL ±0.005

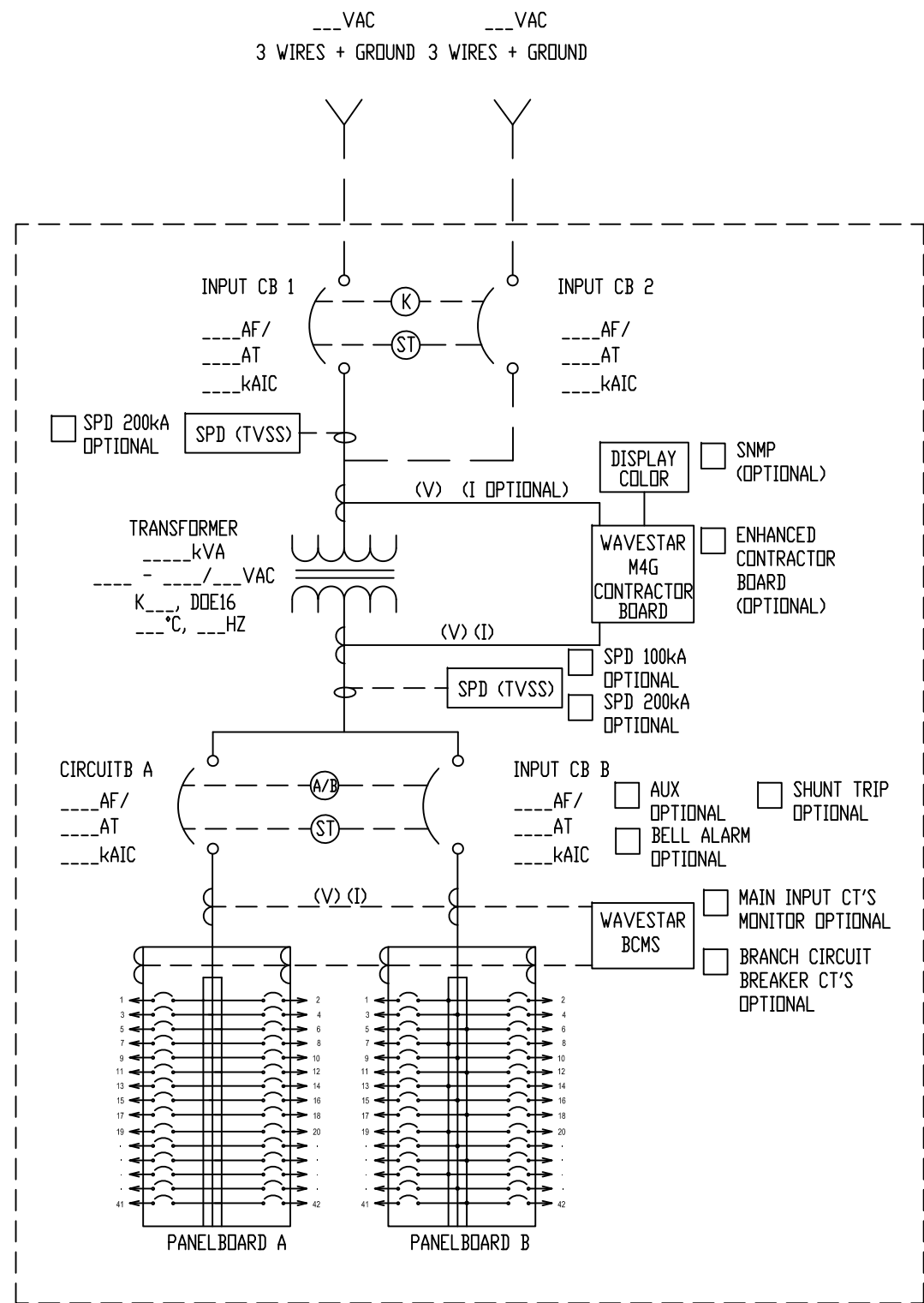
THIS DRAWING CONTAINS
 CONFIDENTIAL & PROPRIETARY
 INFORMATION AND SHALL NOT
 BE DISCLOSED OR COPIED
 WITHOUT THE EXPRESSED,
 WRITTEN PERMISSION OF
 SMITHS POWER



THIRD ANGLE PROJECTION		DO NOT SCALE DRAWING
APPROVALS		DATE
DRAWN	LN/JS	5/27/16
DESIGNED	IF	5/27/16
CHECKED	LN/JS	5/27/16
ENG. APPR.	VG	5/27/16

TITLE: POWER PACK II		
PRODUCT REQUIREMENT FORM		
100-400kVA		
SIZE	DWG. NO.	REV
B	PDU19896	X0
PART NO.		SHEET 1 OF 3

100-400KVA POWER DISTRIBUTION MODULE



INPUT CIRCUIT BREAKER SELECTION (480VAC)							
kVA @ 480VAC	35kAIC 80% RATED	35kAIC 100% RATED	65kAIC 80% RATED	65kAIC 100% RATED	35kAIC 80% RATED (LI)	35kAIC 100% RATED (LI)	
100	<input type="checkbox"/> JGL36150	<input type="checkbox"/> JGL36150C	<input type="checkbox"/> JJL36150	<input type="checkbox"/> JJL36150C	<input type="checkbox"/> JGL36150U31X	<input type="checkbox"/> JGL36150CU31X	<input type="checkbox"/>
150	<input type="checkbox"/> JGL36225	<input type="checkbox"/> JGL36225C	<input type="checkbox"/> JJL36225	<input type="checkbox"/> JJL36225C	<input type="checkbox"/> JGL36250U31X	<input type="checkbox"/> JGL36250CU31X	<input type="checkbox"/>
225	<input type="checkbox"/> MGL36400	<input type="checkbox"/> N/A M FRAME*	<input type="checkbox"/> MJL36400	<input type="checkbox"/> N/A M FRAME*	<input type="checkbox"/> PGL36040U31A	<input type="checkbox"/> PGL36080CU31A	<input type="checkbox"/>
300	<input type="checkbox"/> MGL36500	<input type="checkbox"/> N/A M FRAME	<input type="checkbox"/> MJL36500	<input type="checkbox"/> N/A M FRAME	<input type="checkbox"/> PGL36060U31A	<input type="checkbox"/> PGL36060CU31A	<input type="checkbox"/>
400	<input type="checkbox"/> MGL36700	<input type="checkbox"/> N/A M FRAME	<input type="checkbox"/> MJL36700	<input type="checkbox"/> N/A M FRAME	<input type="checkbox"/> PGL36080U31A	<input type="checkbox"/> PGL36080CU31A	<input type="checkbox"/>

PANELBOARD SUBFEED CIRCUIT BREAKER SELECTION 240/480VAC					
65/35kAIC 80% RATED	65/35kAIC 100% RATED	100/65kAIC 80% RATED	100/65kAIC 100% RATED	65/35kAIC 80% RATED (LI)	65/35kAIC 100% RATED (LI)
JGL36225 <input type="checkbox"/>	JGL36225C <input type="checkbox"/>	JJL36225 <input type="checkbox"/>	JJL36225C <input type="checkbox"/>	JGL36250U31X <input type="checkbox"/>	JGL36250CU31X <input type="checkbox"/>
65/35kAIC 80% RATED (LI)	65/35kAIC 100% RATED (LI)	100/65kAIC 80% RATED (LI)	100/65kAIC 100% RATED (LI)	65/35kAIC 80% RATED (LSI)	65/35kAIC 100% RATED (LSI)
LGL36400U31X <input type="checkbox"/>	LGL36400CU31X <input type="checkbox"/>	LJL36400U31X <input type="checkbox"/>	LJL36400U31X <input type="checkbox"/>	LGL36400U33X <input type="checkbox"/>	LGL36400U33X <input type="checkbox"/>

PANELBOARD SELECTION 240/480VAC	
NQ 240VAC MAX, 225/400A	NF 480VAC MAX, 225A/400A
NQDM342L4CGS <input type="checkbox"/>	NF 442L2C <input type="checkbox"/>
N/A	NF 442L4C <input type="checkbox"/>

4. DUAL INPUT BREAKER REQUIRED A SIDE CAR.
 3. THE PDU ENCLOSURE OFFER PANELBOARD UP TO:
 SQ D FRAME "Q" OR "J" (2) 225A PANELBOARD MAX.
 SQ D FRAME "L" (2) 400A PANELBOARD MAX.
 GE AND ABB PANELBOARDS, CONSULT WITH THE FACTORY
 2. THE SUBFEED CIRCUIT BREAKER PROVIDED AS STANDARD: 65kAIC @ 240VAC, 80% RATED.
 1. THE INPUT CIRCUIT BREAKER PROVIDED AS STANDARD: 35kAIC @ 480VAC, 80% RATED.
 NOTES: UNLESS OTHERWISE SPECIFIED

7. INPUT CIRCUIT BREAKER TABLE (*):
 225kVA, IF THE INPUT REQUIRE 100% RATED,
 USE SQ D "L" FRAME OR "P" AS OPTIONS.
 300-400kVA, IF THE INPUT REQUIRE 100% RATED,
 USE SQ D "P" AS OPTION.
 6. WAVESTAR MONITORING SYSTEM STANDARD: M4G, COLOR DISPLAY
 AND STANDARD CONTRACTOR BOARD
 5. THE STANDARD TRANSFORMER IS 480D-208Y/120VAC, K13 ,150°C, CU, 60HZ, IZ 8-10%, IR 2.5-5X,
 CUSTOM SPECIFICATIONS: CONSULT WITH THE FACTORY.

THIS DRAWING CONTAINS CONFIDENTIAL & PROPRIETARY INFORMATION AND SHALL NOT BE DISCLOSED OR COPIED WITHOUT THE EXPRESSED WRITTEN PERMISSION OF SMITHS POWER

PDI

TITLE: POWER PACK II
PRODUCT REQUIREMENT FORM
SQ D PANELBOARD

SIZE	DWG. NO.	REV
B	PDU19896	X0

PART NO. SHEET 2 OF 3

100-400KVA POWER DISTRIBUTION MODULE

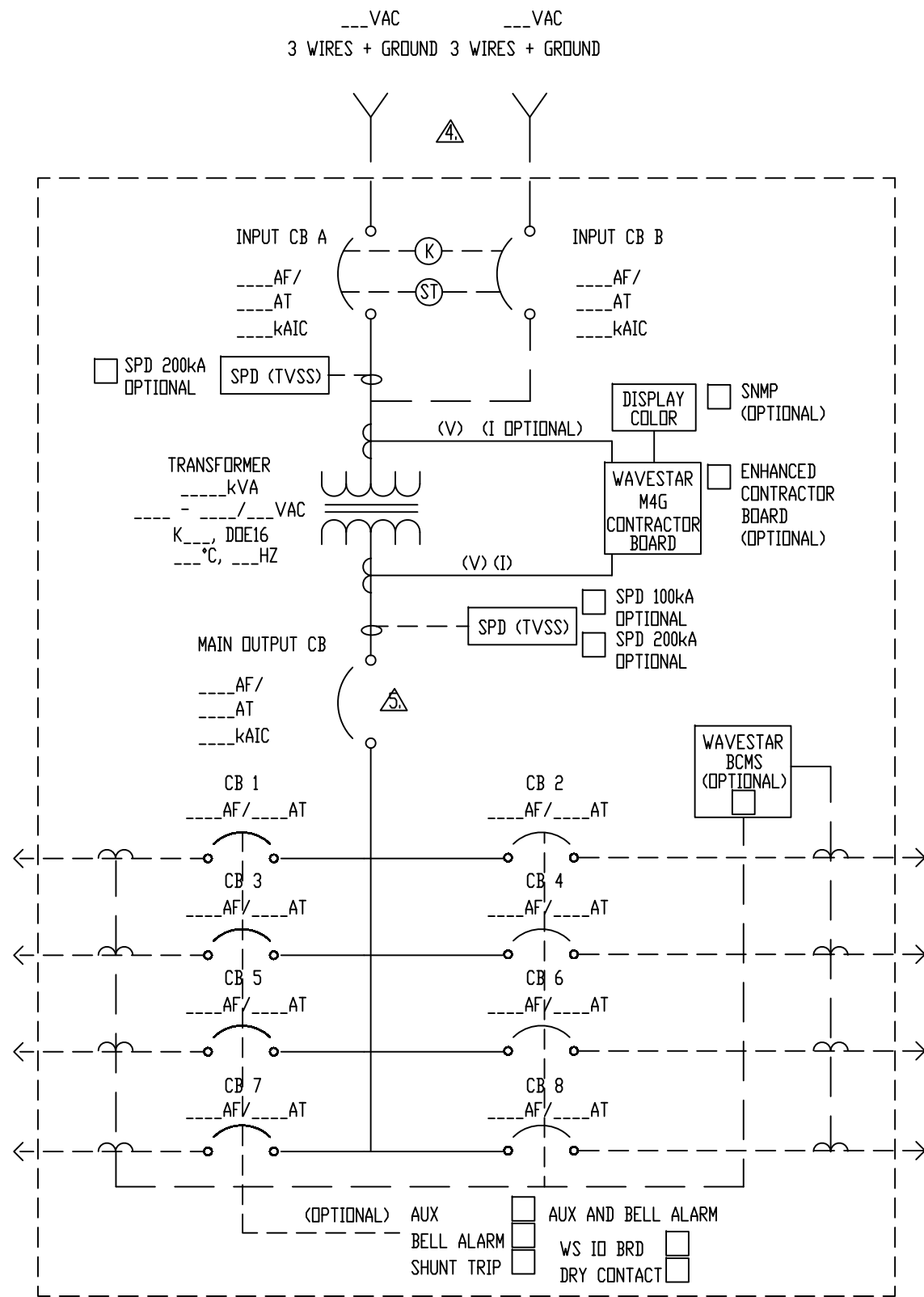
REVISIONS			
REV.	DESCRIPTION	DATE	APPROVED

D

C

B

A



INPUT CIRCUIT BREAKER SELECTION (480VAC)							
kVA @ 480VAC	35kAIC 80% RATED	35kAIC 100% RATED	65kAIC 80% RATED	65kAIC 100% RATED	35kAIC 80% RATED (LI)	35kAIC 100% RATED (LI)	
100	<input type="checkbox"/> JGL36150	<input type="checkbox"/> JGL36150C	<input type="checkbox"/> JGL36150	<input type="checkbox"/> JGL36150C	<input type="checkbox"/> JGL36150U31X	<input type="checkbox"/> JGL36150CU31X	<input type="checkbox"/>
150	<input type="checkbox"/> JGL36225	<input type="checkbox"/> JGL36225C	<input type="checkbox"/> JGL36225	<input type="checkbox"/> JGL36225C	<input type="checkbox"/> JGL36250U31X	<input type="checkbox"/> JGL36250CU31X	<input type="checkbox"/>
225	<input type="checkbox"/> MGL36400	<input type="checkbox"/> N/A M FRAME*	<input type="checkbox"/> MJL36400	<input type="checkbox"/> N/A M FRAME*	<input type="checkbox"/> PGL36040U31A	<input type="checkbox"/> PGL36080CU31A	<input type="checkbox"/>
300	<input type="checkbox"/> MGL36500	<input type="checkbox"/> N/A M FRAME	<input type="checkbox"/> MJL36500	<input type="checkbox"/> N/A M FRAME	<input type="checkbox"/> PGL36060U31A	<input type="checkbox"/> PGL36060CU31A	<input type="checkbox"/>
400	<input type="checkbox"/> MGL36700	<input type="checkbox"/> N/A M FRAME	<input type="checkbox"/> MJL36700	<input type="checkbox"/> N/A M FRAME	<input type="checkbox"/> PGL36080U31A	<input type="checkbox"/> PGL36080CU31A	<input type="checkbox"/>

SUBFEED CIRCUIT BREAKER SELECTION 240/480VAC					
65/35kAIC 80% RATED	65/35kAIC 100% RATED	100/65kAIC 80% RATED	100/65kAIC 100% RATED	65/35kAIC 80% RATED (LI)	65/35kAIC 100% RATED (LI)
JGL36150 <input type="checkbox"/>	JGL36150C <input type="checkbox"/>	JGL36150 <input type="checkbox"/>	JGL36150C <input type="checkbox"/>	JGL36150U31X <input type="checkbox"/>	JGL36150CU31X <input type="checkbox"/>
JGL36225 <input type="checkbox"/>	JGL36225C <input type="checkbox"/>	JGL36225 <input type="checkbox"/>	JGL36225C <input type="checkbox"/>	JGL36250U31X <input type="checkbox"/>	JGL36250CU31X <input type="checkbox"/>
65/35kAIC 80% RATED (LI)	65/35kAIC 100% RATED (LI)	100/65kAIC 80% RATED (LI)	100/65kAIC 100% RATED (LI)	65/35kAIC 80% RATED (LSI)	65/35kAIC 100% RATED (LSI)
LGL36400U31X <input type="checkbox"/>	LGL36400CU31X <input type="checkbox"/>	LJL36400U31X <input type="checkbox"/>	LJL36400U31X <input type="checkbox"/>	LGL36400U33X <input type="checkbox"/>	LGL36400U33X <input type="checkbox"/>
LGL36600U31X <input type="checkbox"/>	N/A <input type="checkbox"/>	LJL36600U31X <input type="checkbox"/>	N/A <input type="checkbox"/>	LGL36600U33X <input type="checkbox"/>	N/A <input type="checkbox"/>


3. THE PDU ENCLOSURE OFFER SQ D SUBFEED CIRCUIT BREAKERS UP TO:
 SQ D FRAME 'J' OR 'H' (8) CIRCUIT BREAKER MAX.
 SQ D FRAME 'L' 400A (4) CIRCUIT BREAKER MAX.
 SQ D FRAME 'L' 600A (2) CIRCUIT BREAKER MAX.

2. THE SUBFEED CIRCUIT BREAKER PROVIDED AS STANDARD: 65kAIC @ 240VAC, 80% RATED.
 1. THE INPUT CIRCUIT BREAKER PROVIDED AS STANDARD: 35kAIC @ 480VAC, 80% RATED.

NOTES: UNLESS OTHERWISE SPECIFIED

- 9. ABB ANF GE CIRCUIT BREAKER, CONSULT WITH THE FACTORY.
- 8. INPUT CIRCUIT BREAKER TABLE (*):
 225kVA, IF THE INPUT REQUIRE 100% RATED, USE SQ D 'L' FRAME OR 'P' AS OPTIONS.
 300-400kVA, IF THE INPUT REQUIRE 100% RATED, USE SQ D 'P' AS OPTION.
- WAVESTAR MONITORING SYSTEM STANDARD: M4G, COLOR DISPLAY AND STANDARD CONTRACTOR BOARD
- 6. THE STANDARD TRANSFORMER IS 480D-208Y/120VAC, K13 ,150°C, CU, 60HZ, IZ 8-10%, IR 2.5-5X, CUSTOM SPECIFICATIONS: CONSULT WITH THE FACTORY.
- THE MAIN OUTPUT CIRCUIT BREAKER REQUIRED A SIDE CAR.
- DUAL INPUT BREAKER REQUIRED A SIDE CAR.

THIS DRAWING CONTAINS CONFIDENTIAL & PROPRIETARY INFORMATION AND SHALL NOT BE DISCLOSED OR COPIED WITHOUT THE EXPRESSED, WRITTEN PERMISSION OF SMITHS POWER



TITLE: POWER PACK II
 SINGLE LINE
 SUBFEED

SIZE B	DWG. NO. PDU19896	REV X0
PART NO.		SHEET 3 OF 3

8

7

6

5

4

3

2

1