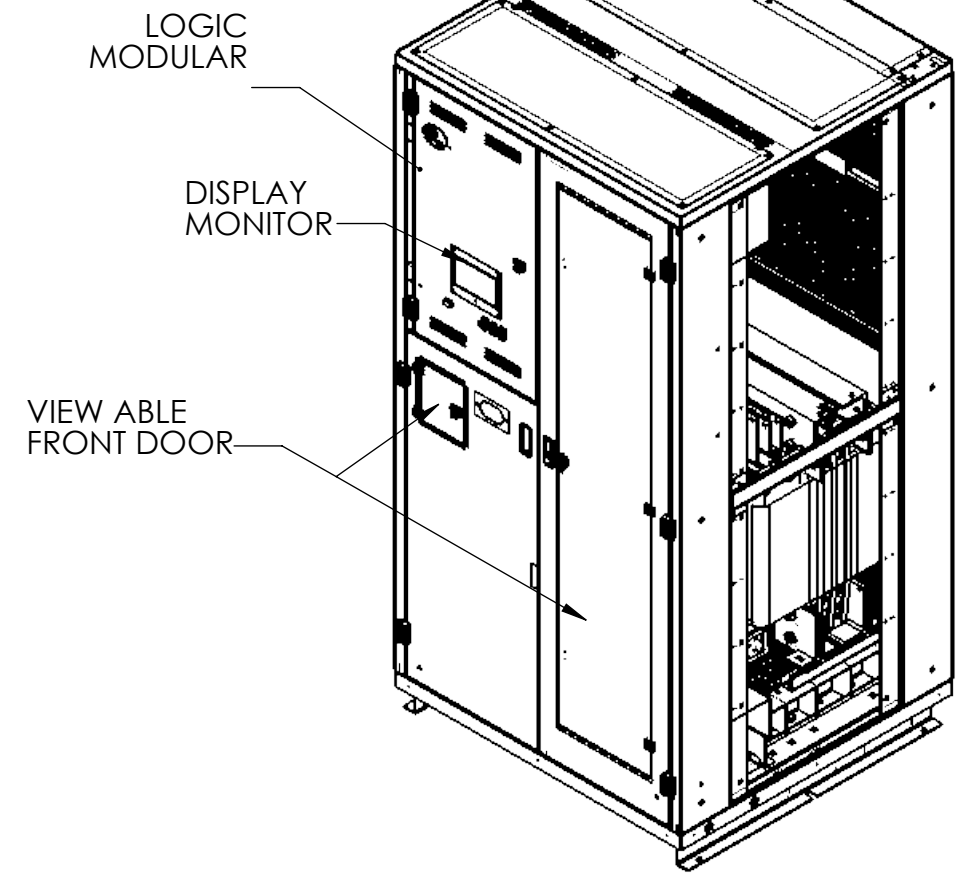
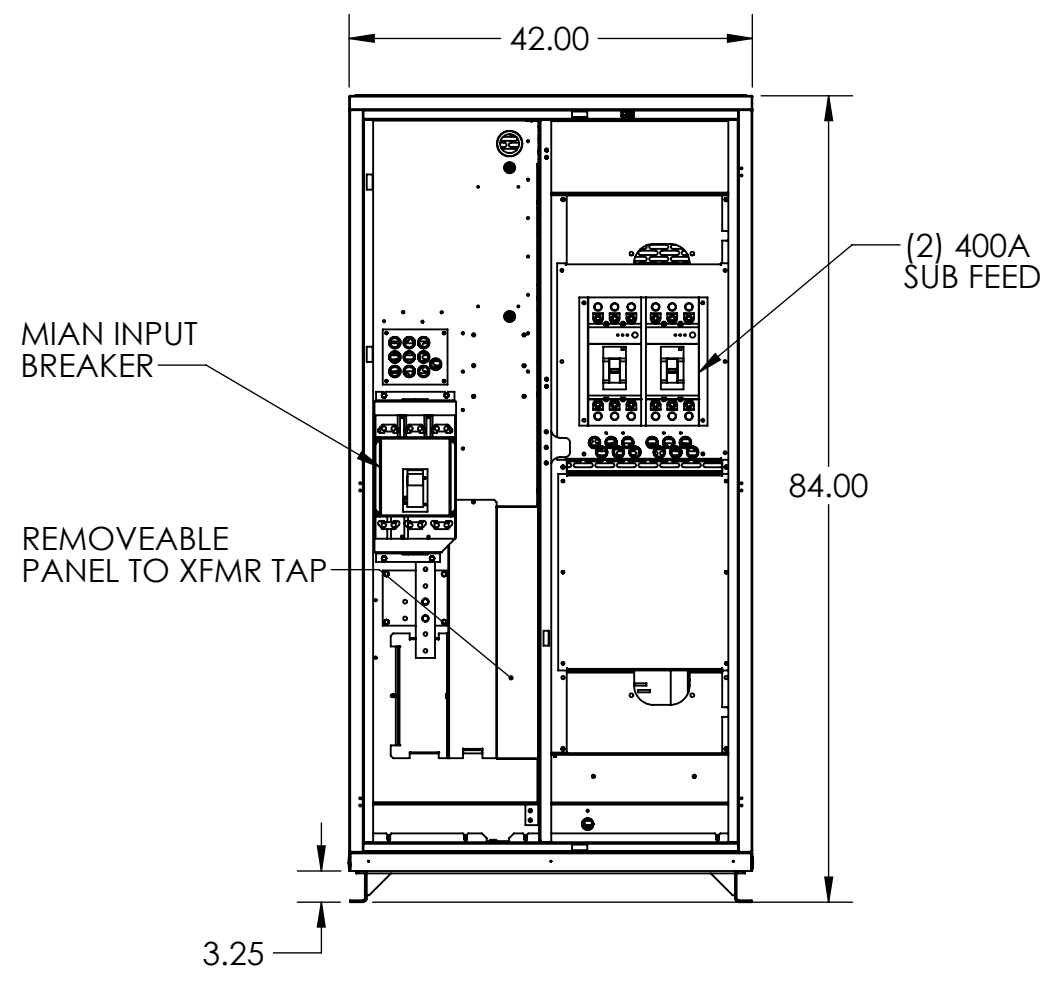
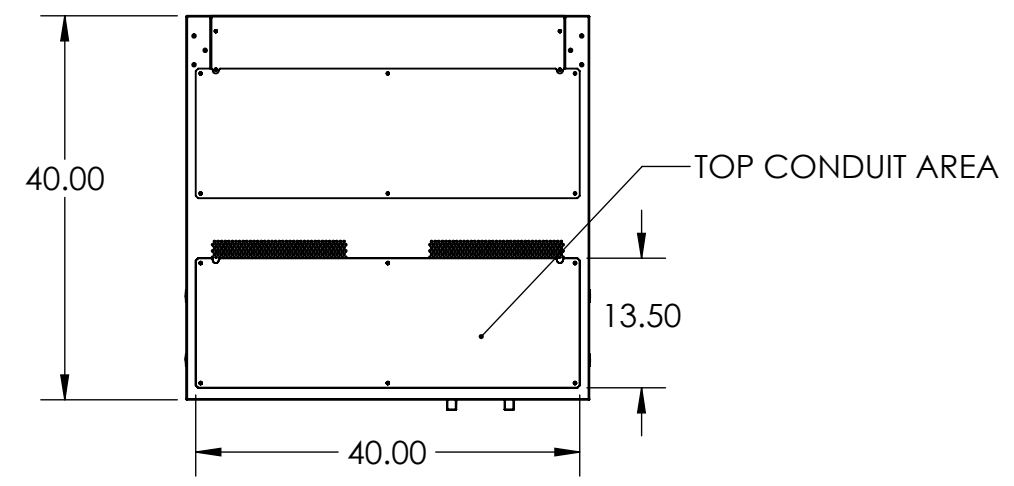


8 7 6 5 4 3 2 1

D  
C  
B  
A

D  
C  
B  
A



SIDE PANEL NOT SHOWN

GENERAL SPECIFIED  
ENCLOSURE : NEMA 1  
FRONT ACCESS INSTALLATION AND MAINTENANCES  
ALLOWS 6 " MINIMUM CLEARANCE SIDE AND REAR FOR VENTILATION

ELECTRICAL:  
INPUT #1: 480 VAC 3PH- W/GND, 500 MCM MAX  
OUTPUT: (2) 400A 3 POLES BREAKER

UNLESS OTHERWISE SPECIFIED:  
DIMENSIONS ARE IN INCHES  
[ ] IN MILLIMETER  
ANGULAR: ±0.5° BEND ±1°  
TWO PLACE DECIMAL ±0.02  
THREE PLACE DECIMAL ±0.005

THIS DRAWING CONTAINS  
CONFIDENTIAL & PROPRIETARY  
INFORMATION AND SHALL NOT  
BE DISCLOSED OR COPIED  
WITHOUT THE EXPRESSED,  
WRITTEN PERMISSION OF  
SMITHS POWER



THIRD ANGLE PROJECTION		DO NOT SCALE DRAWING	
APPROVALS		DATE	
DRAWN	LJN	10/27/16	
CHECKED			
ENG. APPR.			

TITLE: PP2 OUT LINE		
400kVA, (2) 400A SUB FEED		
SIZE	DWG. NO.	REV
B	PDU21000	
PART NO.		SHEET 1 OF 1

8 7 6 5 4 3 2 1