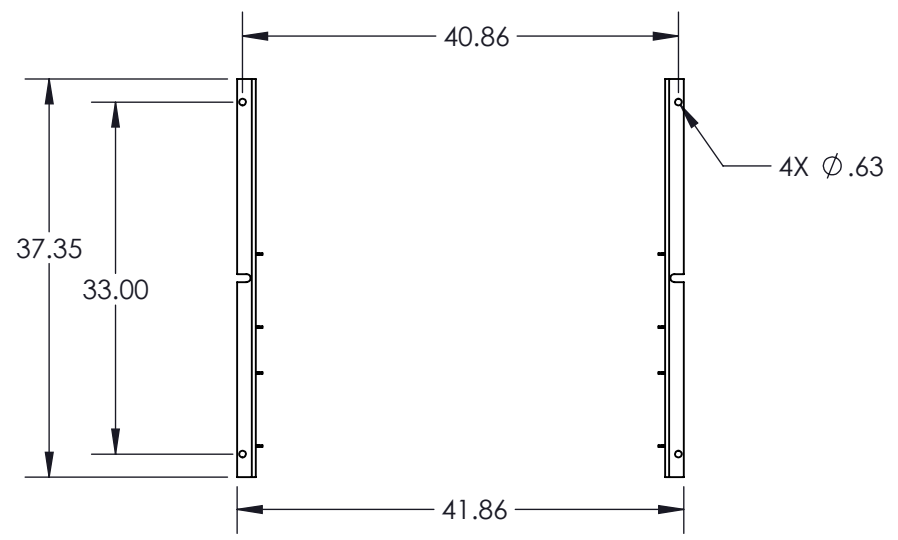


**GENERAL SPECIFIED**

**CABINET CHARACTERISTIC:**

ENCLOSURE : NEMA 1  
 LOCATION : INDOOR  
**MECHANICAL:**  
 MATERIAL: STEEL  
 FINISH: EXTERIOR PANELS: PEARL WHITE - PHTI-60016  
 TRANSFORMER HEAT GENERATE 8 KW  
 WEIGHT: APPROX. 3000LBS

FRONT ACCESS FOR INSTALLATION AND MAINTENANCE  
 ALL OPERATOR CONTROL ARE FRONT ACCESS WITHOUT EXPOSE TO LIVE PARTS  
 MINIMUM 6" FOR SIDE AND REAR FOR VENTILATION



SECTION A-A  
 SCALE 1 : 18

THIS DRAWING CONTAINS  
 CONFIDENTIAL & PROPRIETARY  
 INFORMATION AND SHALL NOT  
 BE DISCLOSED OR COPIED  
 WITHOUT THE EXPRESSED,  
 WRITTEN PERMISSION OF  
 POWER DISTRIBUTION, INC.



APPROVALS		DATE
DRAWN	LJN	8/22/16
DESIGNED		
CHECKED		
ENG. APPR.		
MFG. APPR.		

TITLE: OUTLINE PP2 400 KVA, (2) 400A SUB FEED		
SIZE <b>B</b>	DWG. NO. <b>PDU56369</b>	REV A
SCALE: NTS		SHEET 1 OF 1