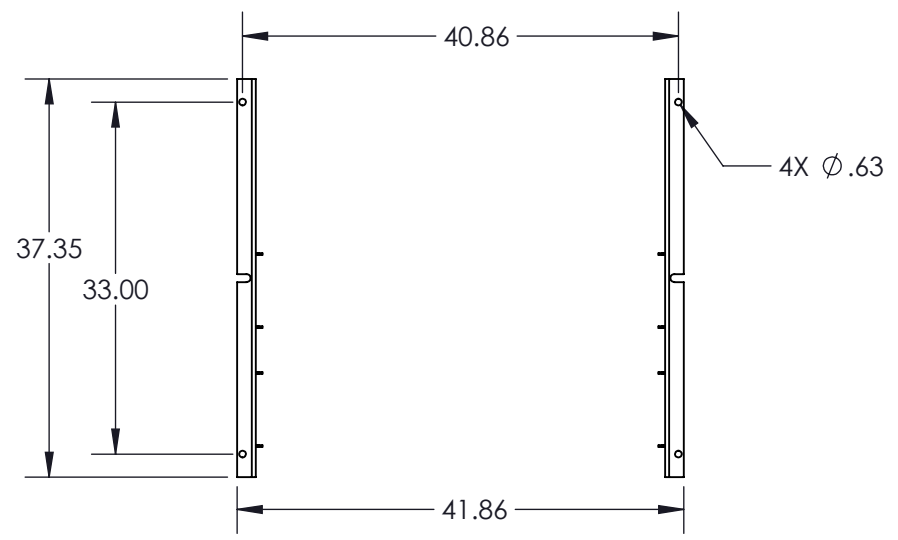


GENERAL SPECIFIED

CABINET CHARACTERISTIC:

ENCLOSURE : NEMA 1
 LOCATION : INDOOR
MECHANICAL:
 MATERIAL: STEEL
 FINISH: EXTERIOR PANELS: PEARL WHITE - PHTI-60016
 TRANSFORMER HEAT GENERATE 8 KW
 WEIGHT: APPROX. 3200LBS

FRONT ACCESS FOR INSTALLATION AND MAINTENANCE
 ALL OPERATOR CONTROL ARE FRONT ACCESS WITHOUT EXPOSE TO LIVE PARTS
 MINIMUM 6" FOR SIDE AND REAR FOR VENTILATION



SECTION A-A
 SCALE 1 : 18

THIS DRAWING CONTAINS
 CONFIDENTIAL & PROPRIETARY
 INFORMATION AND SHALL NOT
 BE DISCLOSED OR COPIED
 WITHOUT THE EXPRESSED,
 WRITTEN PERMISSION OF
 POWER DISTRIBUTION, INC.



APPROVALS		DATE
DRAWN	ISF	1/10/17
DESIGNED		
CHECKED		
ENG. APPR.		
MFG. APPR.		

TITLE: POWERPAK 2 SUBMITTAL DRAWING 400 KVA, (4) 400A AND (1) 250A SUBFEED BREAKERS		
SIZE B	DWG. NO. PDU56503	REV A
SCALE: NTS		SHEET 1 OF 1