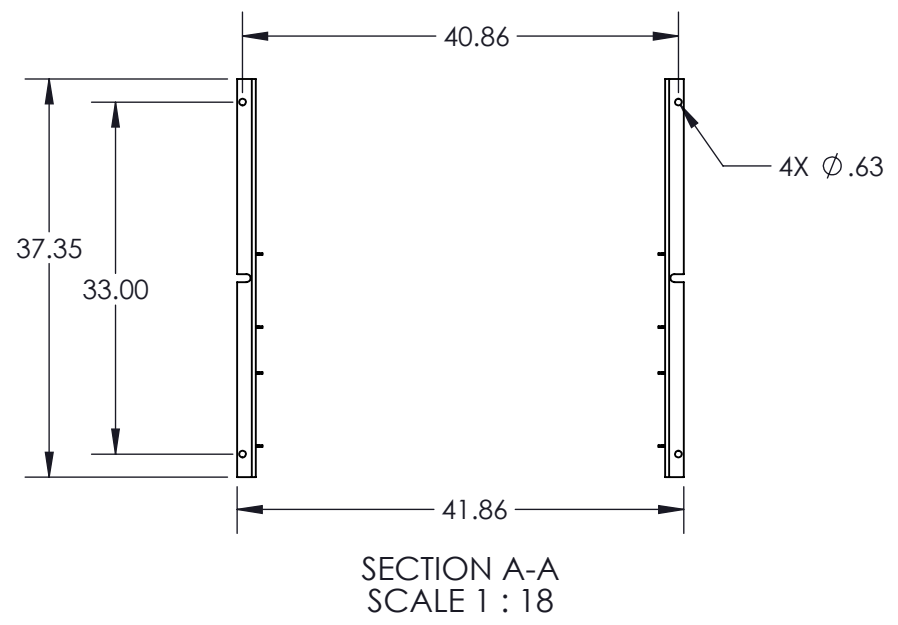


**GENERAL SPECIFIED**

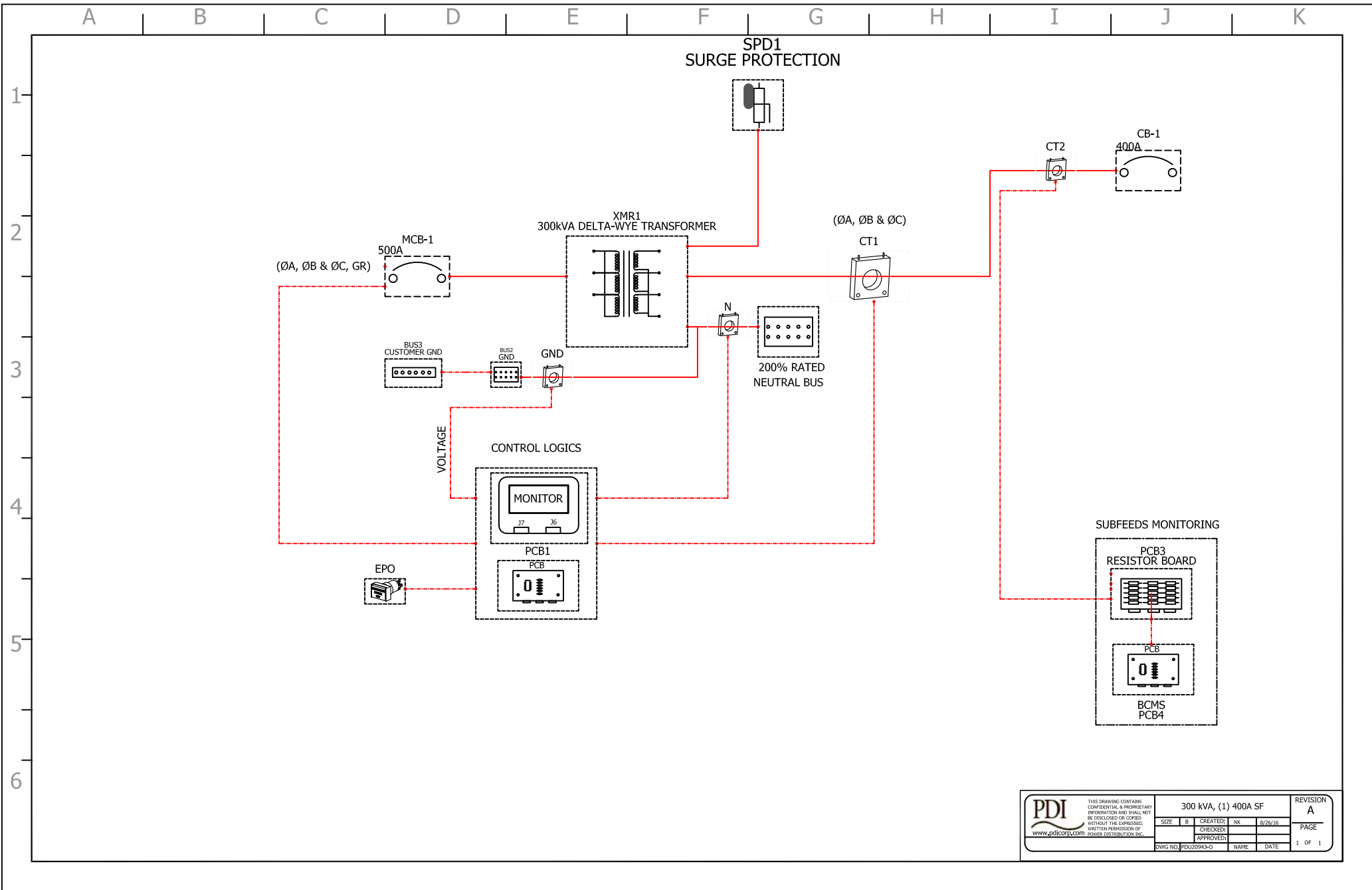
**CABINET CHARACTERISTIC:**

- ENCLOSURE : NEMA 1
- LOCATION : INDOOR
- MECHANICAL:**
- MATERIAL: STEEL
- FINISH: EXTERIOR PANELS: PEARL WHITE - PHTI-60016
- TRANSFORMER HEAT GENERATE 8 KW

FRONT ACCESS FOR INSTALLATION AND MAINTENANCE  
 ALL OPERATOR CONTROL ARE FRONT ACCESS WITHOUT EXPOSE TO LIVE PARTS  
 MINIMUM 6" FOR SIDE AND REAR FOR VENTILATION



THIS DRAWING CONTAINS CONFIDENTIAL & PROPRIETARY INFORMATION AND SHALL NOT BE DISCLOSED OR COPIED WITHOUT THE EXPRESSED, WRITTEN PERMISSION OF POWER DISTRIBUTION, INC.			
		THIRD ANGLE PROJECTION	
APPROVALS		DATE	
DRAWN	LJN	8/22/16	
DESIGNED			
CHECKED			
ENG. APPR.			
MFG. APPR.			
TITLE:		OUTLINE PP2 300 KVA, (1) 400A SUB FEED	
SIZE	DWG. NO.	REV	
B	PDU20943	A	
SCALE: NTS		SHEET 1 OF 1	



 www.pdicorp.com	THIS DRAWING CONTAINS CONFIDENTIAL & PROPRIETARY INFORMATION AND SHALL NOT BE DISCLOSED OR COPIED WITHOUT THE EXPRESSED WRITTEN PERMISSION OF POWER DISTRIBUTION INC.				300 kVA, (1) 400A SF	REVISION <b>A</b>
	SIZE B	CREATED: NK	02/26/16	CHECKED: _____	APPROVED: _____	PAGE 1 OF 1
	DWG NO: PDU20943-0	NAME _____	DATE _____			