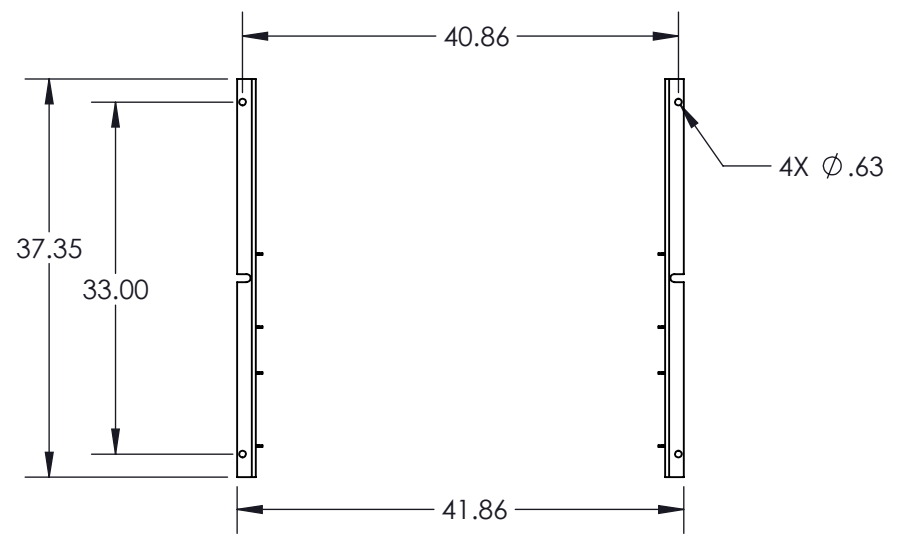


GENERAL SPECIFIED

CABINET CHARACTERISTIC:

- ENCLOSURE : NEMA 1
- LOCATION : INDOOR
- MECHANICAL:**
- MATERIAL: STEEL
- FINISH: EXTERIOR PANELS: PEARL WHITE - PHTI-60016
- TRANSFORMER HEAT GENERATE 8 KW
- WEIGHT: APPROX. 3000LBS

FRONT ACCESS FOR INSTALLATION AND MAINTENANCE
 ALL OPERATOR CONTROL ARE FRONT ACCESS WITHOUT EXPOSE TO LIVE PARTS
 MINIMUM 6" FOR SIDE AND REAR FOR VENTILATION



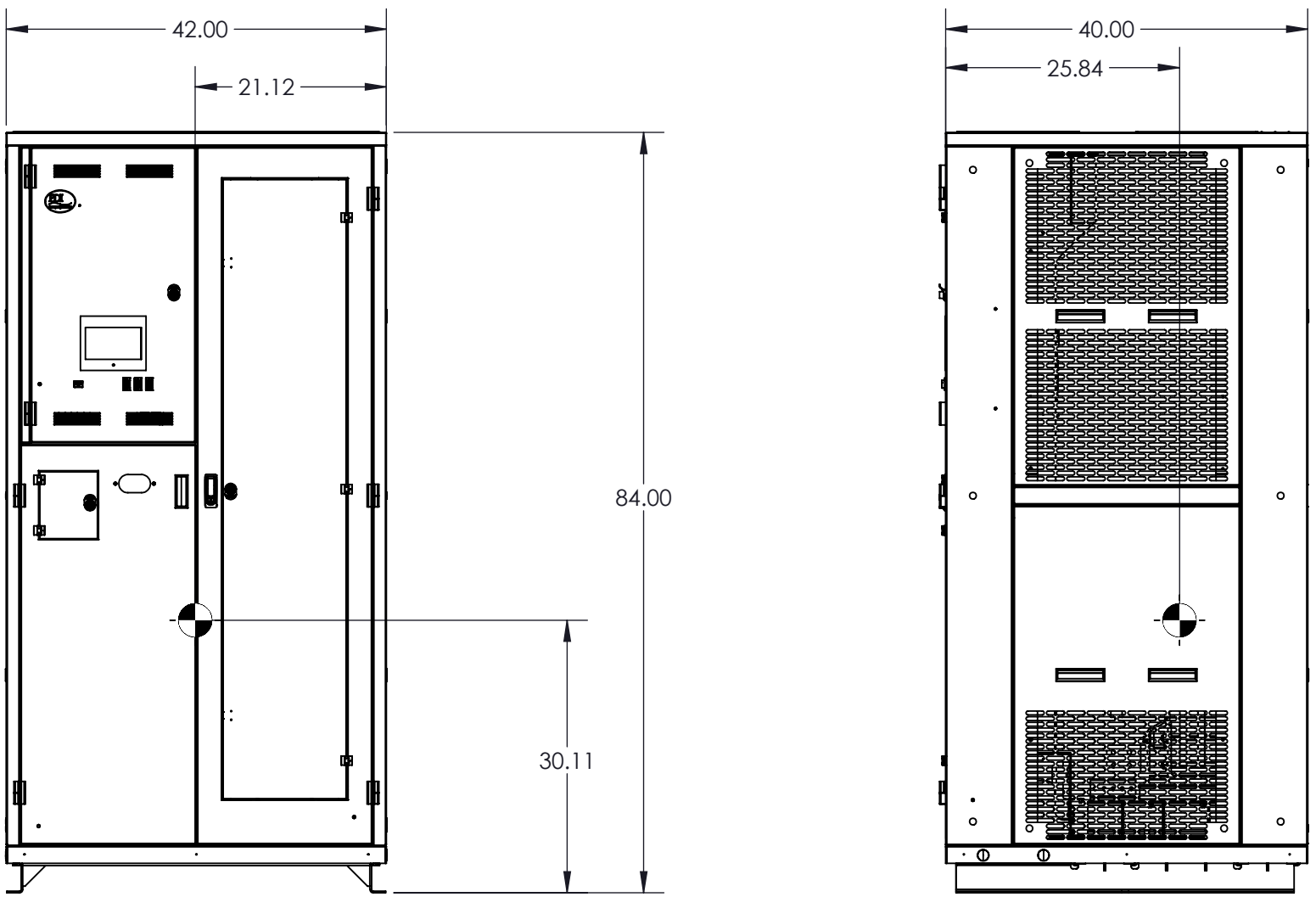
SECTION A-A
SCALE 1 : 18

THIS DRAWING CONTAINS CONFIDENTIAL & PROPRIETARY INFORMATION AND SHALL NOT BE DISCLOSED OR COPIED WITHOUT THE EXPRESSED, WRITTEN PERMISSION OF POWER DISTRIBUTION, INC.			
THIRD ANGLE PROJECTION			
APPROVALS		DATE	
DRAWN	LJN	8/22/16	
DESIGNED		SIZE	DWG. NO.
CHECKED		B	PDU56086
ENG. APPR.		SCALE: NTS	REV A
MFG. APPR.		SHEET 1 OF 2	

TITLE:
 OUTLINE PP2
 300 KVA, (3) 400A SUB FEED

8 7 6 5 4 3 2 1

D
C
B
A



CENTER OF MASS

UNIT WEIGHS APPROX. 3000LBS

SIZE B	DWG. NO. PDU56086	REV A
SCALE: NTS		SHEET 2 OF 2

8 7 6 5 4 3 2 1

D
C
B
A