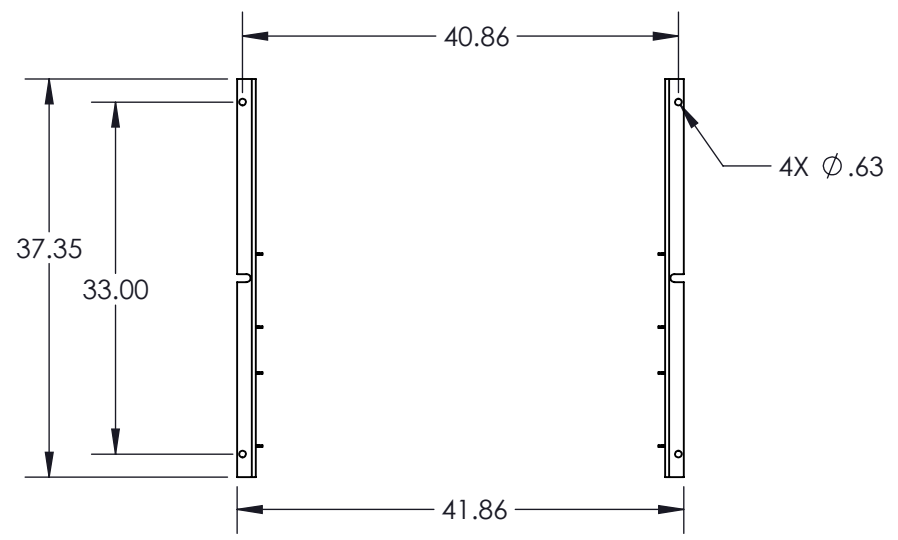


GENERAL SPECIFIED

CABINET CHARACTERISTIC:

- ENCLOSURE : NEMA 1
- LOCATION : INDOOR
- MECHANICAL:**
- MATERIAL: STEEL
- FINISH: EXTERIOR PANELS: PEARL WHITE - PHTI-60016
- TRANSFORMER HEAT GENERATE 8 KW

FRONT ACCESS FOR INSTALLATION AND MAINTENANCE
 ALL OPERATOR CONTROL ARE FRONT ACCESS WITHOUT EXPOSE TO LIVE PARTS
 MINIMUM 6" FOR SIDE AND REAR FOR VENTILATION



SECTION A-A
 SCALE 1 : 18

THIS DRAWING CONTAINS CONFIDENTIAL & PROPRIETARY INFORMATION AND SHALL NOT BE DISCLOSED OR COPIED WITHOUT THE EXPRESSED, WRITTEN PERMISSION OF POWER DISTRIBUTION, INC.			
THIRD ANGLE PROJECTION			
APPROVALS		DATE	
DRAWN	LJN	8/22/16	
DESIGNED		SIZE	DWG. NO.
CHECKED		B	PDU20943
ENG. APPR.		REV	
MFG. APPR.		SCALE: NTS	SHEET 1 OF 1



TITLE:
 OUTLINE PP2
 300 KVA, (1) 400A SUB FEED