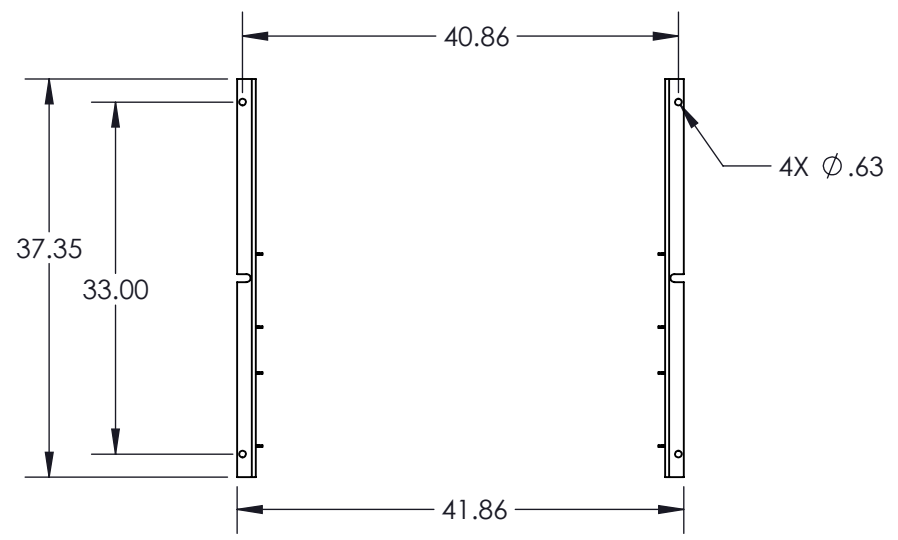


GENERAL SPECIFIED

CABINET CHARACTERISTIC:

- ENCLOSURE : NEMA 1
- LOCATION : INDOOR
- MECHANICAL:**
- MATERIAL: STEEL
- FINISH: POWDER COAT
- TRANSFORMER HEAT GENERATE 8 KW
- WEIGHT: APPROX. 3000LBS

FRONT ACCESS FOR INSTALLATION AND MAINTENANCE
 ALL OPERATOR CONTROL ARE FRONT ACCESS WITHOUT EXPOSE TO LIVE PARTS
 MINIMUM 6" FOR SIDE AND REAR FOR VENTILATION



SECTION A-A
 SCALE 1 : 18

THIS DRAWING CONTAINS
 CONFIDENTIAL & PROPRIETARY
 INFORMATION AND SHALL NOT
 BE DISCLOSED OR COPIED
 WITHOUT THE EXPRESSED,
 WRITTEN PERMISSION OF
 POWER DISTRIBUTION, INC.



APPROVALS		DATE
DRAWN	LJN	8/22/16
DESIGNED		
CHECKED		
ENG. APPR.		
MFG. APPR.		

TITLE: OUTLINE PP2 300 KVA, (4) 400A SUB FEED		
SIZE B	DWG. NO. PDU56689	REV A
SCALE: NTS		SHEET 1 OF 1