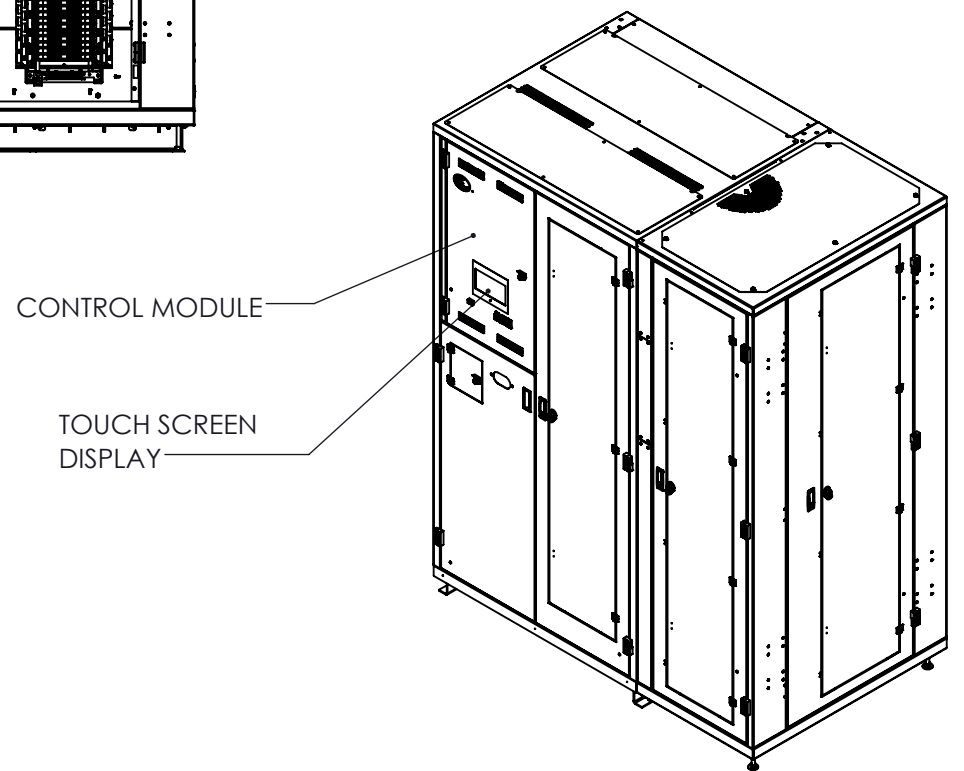
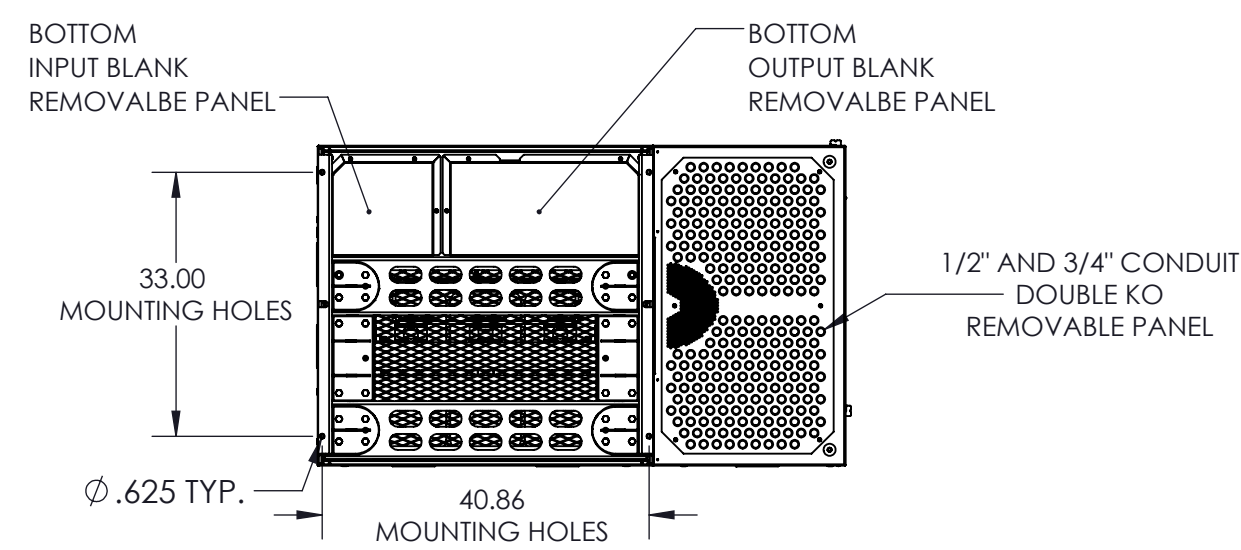
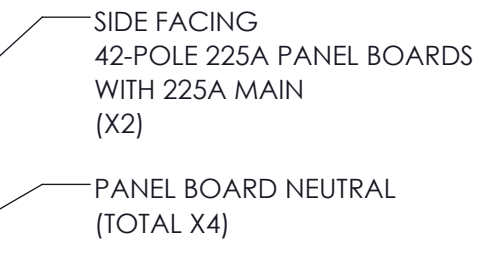
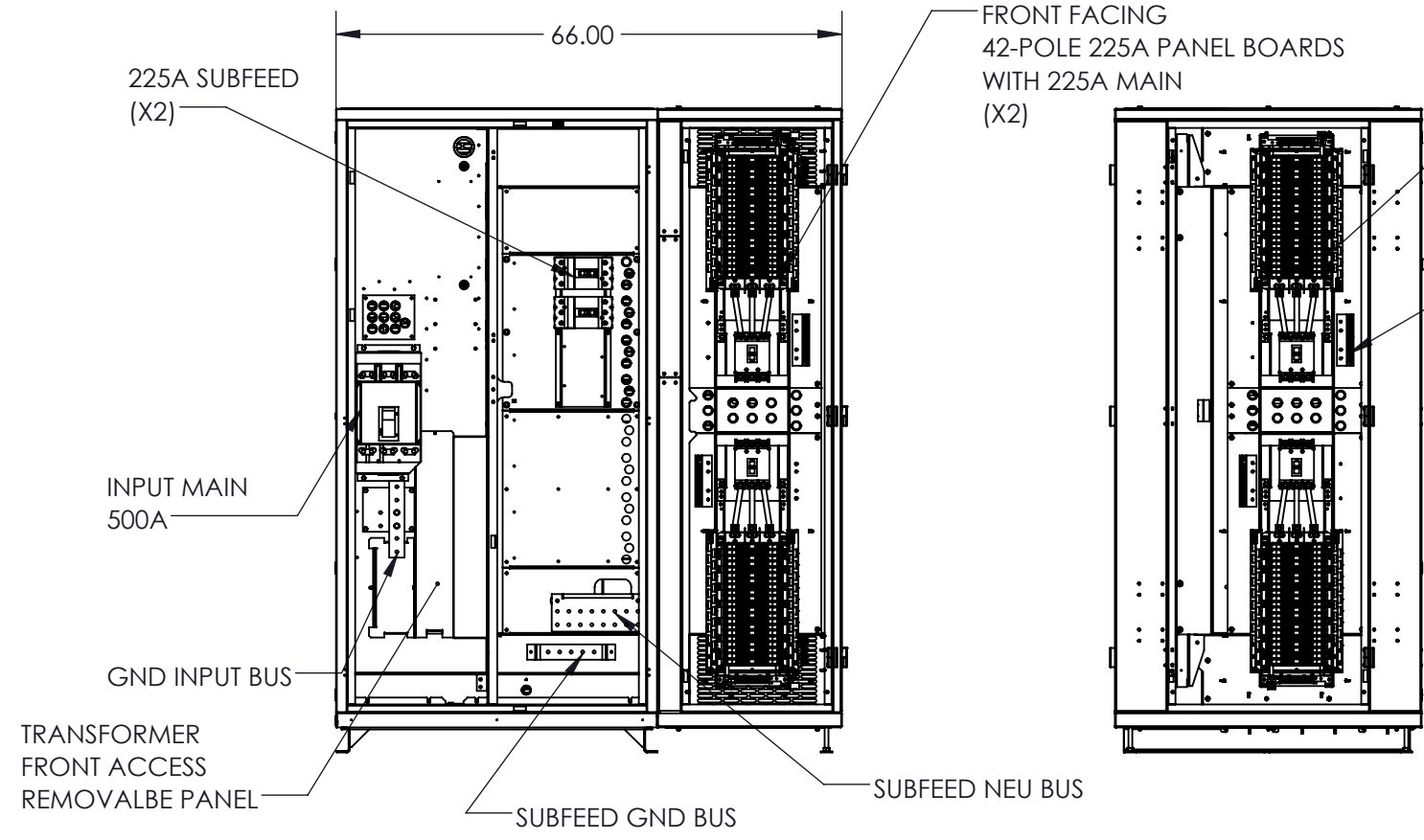
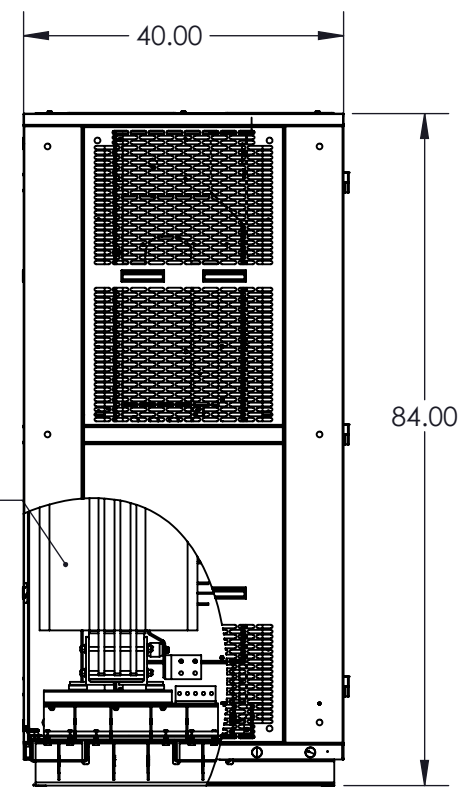


8 7 6 5 4 3 2 1

D
C
B
A

D
C
B
A



GENERAL SPECIFIED

CABINET CHARACTERISTIC:
ENCLOSURE : NEMA 1
LOCATION : INDOOR

MECHANICAL:
MOUNTING: BOLT TO CONCRETE OR FLOOR STAND
MATERIAL: STEEL
WEIGHT : 3500 LBS. APPROX.

ELECTRICAL:
INPUT #1: 480 VAC 3PH-3W W/GND @ 60 HZ, 500A (MAX) (3 EA. # 3/O-500 MCM AL/CU)
OUTPUT SUBFEED #1-2: 120/208 VAC, 80% CONTINUOUS LOAD (225 A MAX) (1 EA. # 3/O-350 MCM AL/CU)
OUTPUT PB #1-4: 42 POLE, BOLT ON CIRCUIT BREAKER (60 A MAX)

ENVIROMENTAL:
OPERATING AMBIENT TEMPERATURE 0°C TO 40°C (32° F TO 104° F)
RELATIVE HUMIDITY: 0% TO 95 % NON-CONDENSING
ALTITUDE: 10,000 FT MAX

UNLESS OTHERWISE SPECIFIED:
DIMENSIONS ARE IN INCHES
[] IN MILLIMETER
ANGULAR: ±0.5° BEND ±1°
TWO PLACE DECIMAL ±0.02
THREE PLACE DECIMAL ±0.005

THIS DRAWING CONTAINS
CONFIDENTIAL & PROPRIETARY
INFORMATION AND SHALL NOT
BE DISCLOSED OR COPIED
WITHOUT THE EXPRESSED,
WRITTEN PERMISSION OF
SMITHS POWER



THIRD ANGLE PROJECTION		DO NOT SCALE DRAWING	
APPROVALS		DATE	
DRAWN			
CHECKED			
ENG. APPR.			

TITLE: (2) 225A SUBFEEDS (4) 225A PANEL BOARDS WITH MAIN PP2		
SIZE B	DWG. NO. PDU56186	REV A
PART NO.		SHEET 1 OF 1

8 7 6 5 4 3 2 1