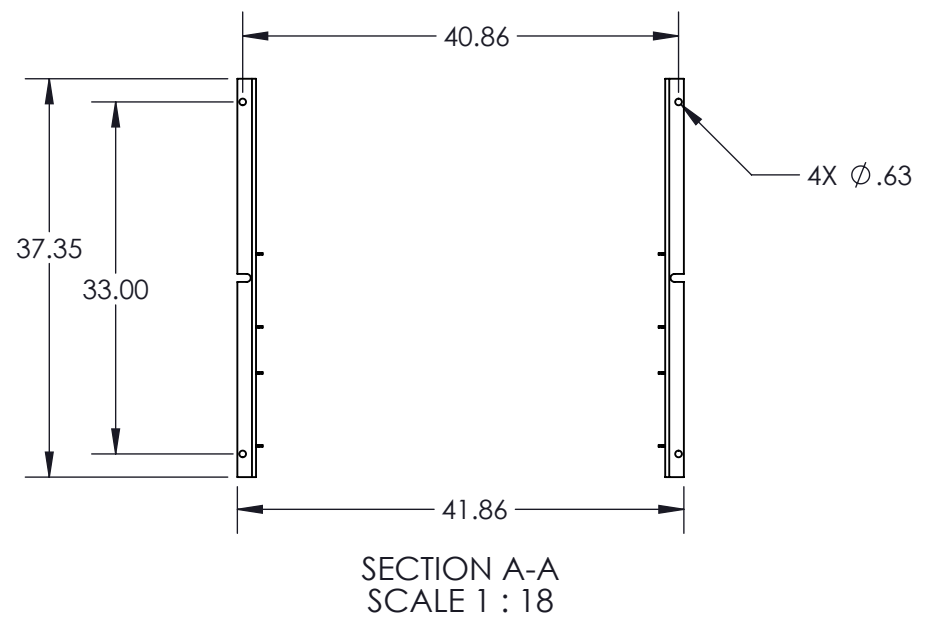


GENERAL SPECIFIED

CABINET CHARACTERISTIC:

- ENCLOSURE : NEMA 1
- LOCATION : INDOOR
- MECHANICAL:**
- MATERIAL: STEEL
- FINISH: EXTERIOR PANELS: CARBIDE BLACK - EBT2C0000
- TRANSFORMER HEAT GENERATE 8 KW

FRONT ACCESS FOR INSTALLATION AND MAINTENANCE
 ALL OPERATOR CONTROL ARE FRONT ACCESS WITHOUT EXPOSE TO LIVE PARTS
 MINIMUM 6" FOR SIDE AND REAR FOR VENTILATION



THIS DRAWING CONTAINS CONFIDENTIAL & PROPRIETARY INFORMATION AND SHALL NOT BE DISCLOSED OR COPIED WITHOUT THE EXPRESSED, WRITTEN PERMISSION OF POWER DISTRIBUTION, INC.					
		THIRD ANGLE PROJECTION			
APPROVALS		DATE	SIZE B	DWG. NO. PDU20073-25506	REV A
DRAWN	RAE	8/15/16			
DESIGNED					
CHECKED	LJN				
ENG. APPR.					
MFG. APPR.			SCALE: NTS		SHEET 1 OF 1