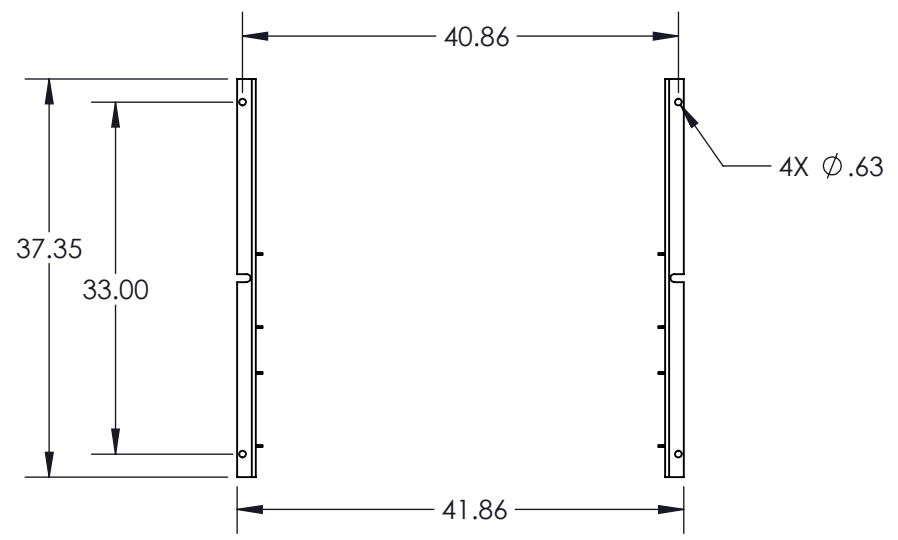


GENERAL SPECIFIED

CABINET CHARACTERISTIC:

- ENCLOSURE : NEMA 1
- LOCATION : INDOOR
- MECHANICAL:**
- MATERIAL: STEEL
- FINISH: EXTERIOR PANELS: PEARL WHITE - PHTI-60016
- TRANSFORMER HEAT GENERATE 8 KW

FRONT ACCESS FOR INSTALLATION AND MAINTENANCE
 ALL OPERATOR CONTROL ARE FRONT ACCESS WITHOUT EXPOSE TO LIVE PARTS
 MINIMUM 6" FOR SIDE AND REAR FOR VENTILATION



THIS DRAWING CONTAINS CONFIDENTIAL & PROPRIETARY INFORMATION AND SHALL NOT BE DISCLOSED OR COPIED WITHOUT THE EXPRESSED, WRITTEN PERMISSION OF POWER DISTRIBUTION, INC.



APPROVALS		DATE
DRAWN	LJN	8/22/16
DESIGNED		
CHECKED		
ENG. APPR.		
MFG. APPR.		

TITLE: OUTLINE PP2 150-400 KVA, (1-8) 225A SUB FEED		
SIZE B	DWG. NO. PDU20073-25073	REV A
SCALE: NTS		SHEET 1 OF 1