

SECTION A-A
SCALE 1 : 18

GENERAL SPECIFICATIONS

CABINET CHARACTERISTICS:

ENCLOSURE : NEMA 1

LOCATION : INDOOR

MECHANICAL:

MATERIAL: STEEL

FINISH: EXTERIOR PANELS: "CARBIDE BLACK - EBT2C0000"

FRONT ACCESS FOR INSTALLATION AND MAINTENANCE

ALL OPERATOR CONTROL ARE FRONT ACCESS WITHOUT EXPOSURE TO LIVE PARTS

MINIMUM 6" FOR SIDE AND REAR FOR VENTILATION

THIS DRAWING CONTAINS
CONFIDENTIAL & PROPRIETARY
INFORMATION AND SHALL NOT
BE DISCLOSED OR COPIED
WITHOUT THE EXPRESSED,
WRITTEN PERMISSION OF
POWER DISTRIBUTION, INC.



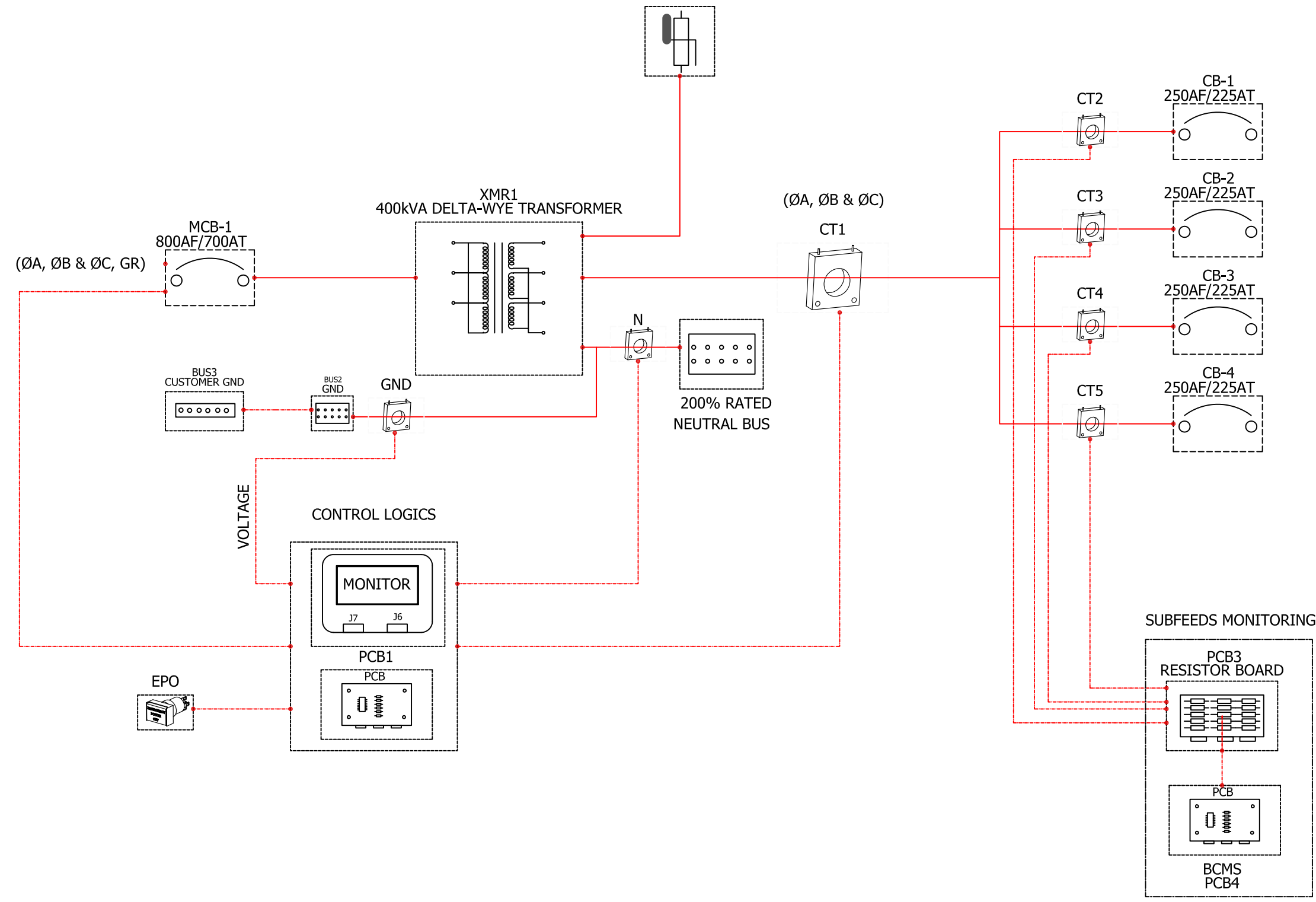
APPROVALS		DATE
DRAWN	LJN	8/22/16
DESIGNED		
CHECKED		
ENG. APPR.		
MFG. APPR.		

TITLE: OUTLINE PP2 150-400 KVA, (1-8) 225A SUB FEED		
SIZE B	DWG. NO. PDU20653	REV
SCALE: NTS		SHEET 1 OF 1

A B C D E F G H I J K

1
2
3
4
5
6

SPD1
SURGE PROTECTION



 <small>THIS DRAWING CONTAINS CONFIDENTIAL & PROPRIETARY INFORMATION AND SHALL NOT BE DISCLOSED OR COPIED WITHOUT THE EXPRESSED, WRITTEN PERMISSION OF POWER DISTRIBUTION INC.</small> www.pdicorp.com	150- 400 kVA, (8) 225A SF				REVISION A
	SIZE	B	CREATED:	NK	4/22/2016
	APPROVED:		NAME	DATE	PAGE
	DWG NO. PDU20773-O		NAME	DATE	1 OF 1