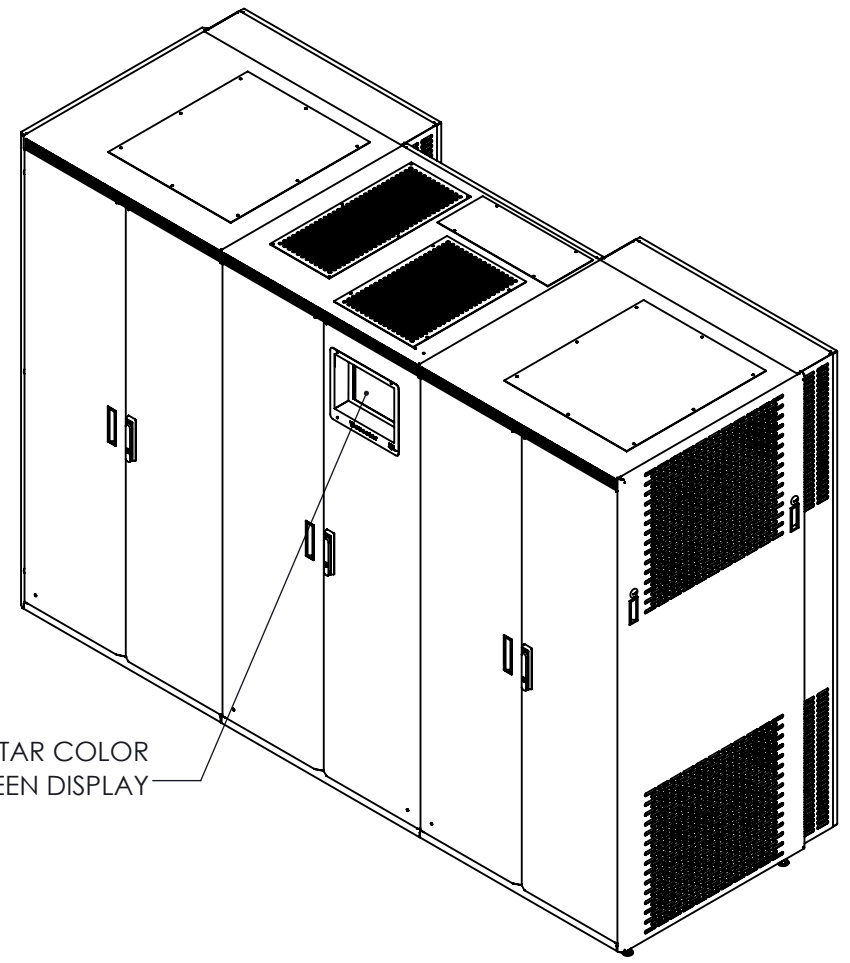
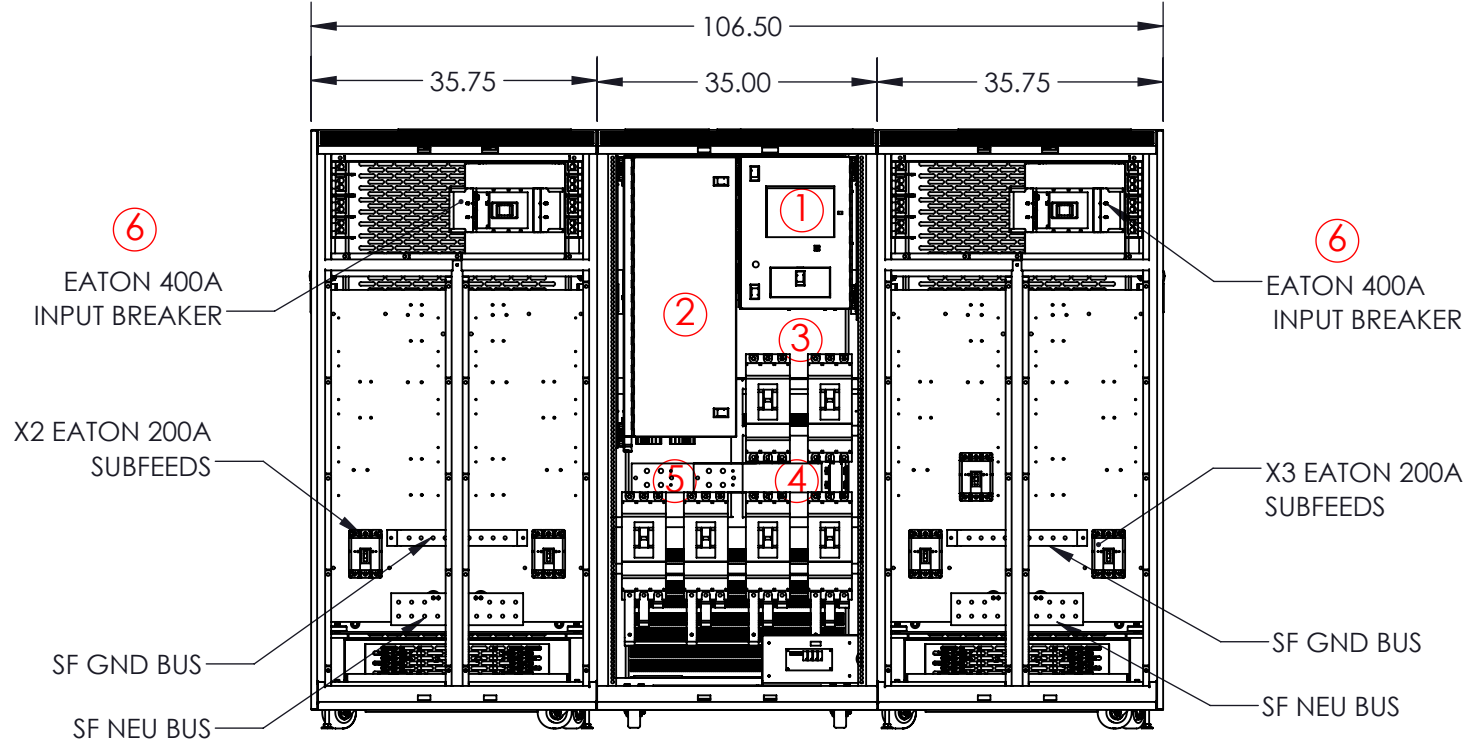
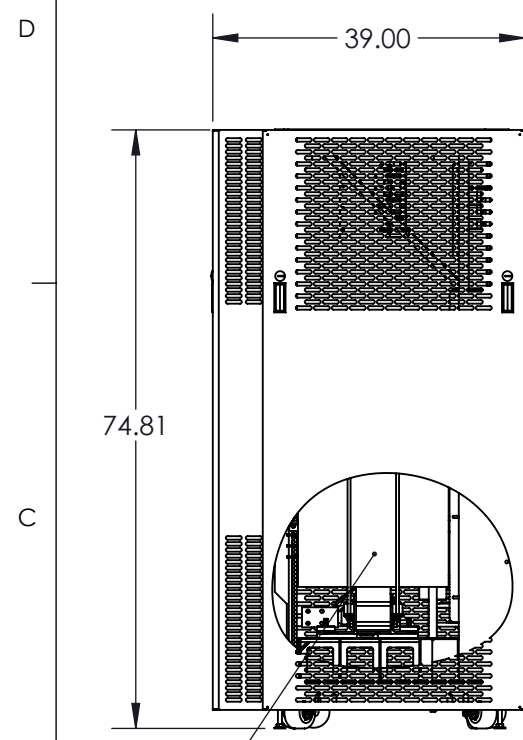
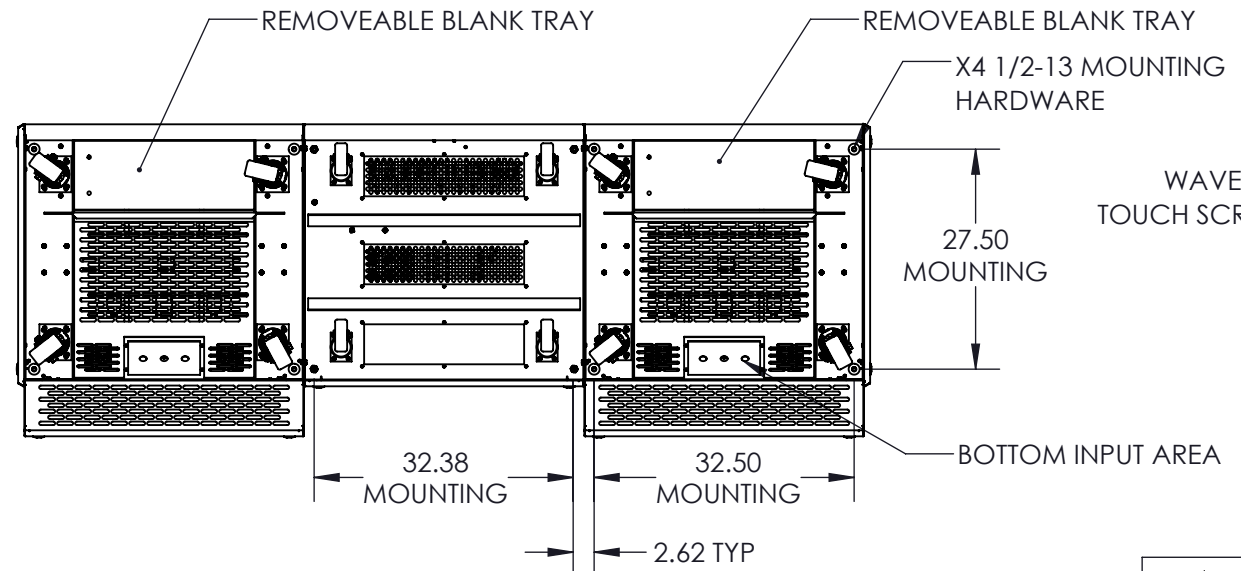


REVISIONS				
REV.	ECN #	DESCRIPTION	DATE	APPROVED
A		SUBMITTAL DRAWING	2/24/2021	SR



DOORS & PANELS REMOVED FOR CLARITY



225 KVA K13 480D-208Y/120VAC
150C RISE CU DOE 2016

- NOTES:**
1. OPERATOR INTERFACE PANEL.
 2. SCR MODULE.
 3. MOLDED CASE INPUT SWITCH/CIRCUIT BREAKER.
 4. MOLDED CASE BYPASS SWITCH.
 5. MOLDED CASE ISOLATION SWITCH(2ND SWITCH).
 6. MAIN INPUT CIRCUIT BREAKER..
 7. ALLOW 36" CLEARANCE FOR FRONT DOOR SWING.
 8. ALLOW A MINIMUM OF 6" CLEARANCE FOR VENTILATION FOR PROPER COOLING.
 9. ACCESS TO REAR IS REQUIRED FOR INSTALATION.

UNLESS OTHERWISE SPECIFIED:
DIMENSIONS AND TOLERANCES
PER ASME Y14.5-2009

DIMENSIONS: INCHES
TOLERANCES:
ANGULAR (DEGREES): ± 0.5
TWO PLACE DECIMAL: ± 0.02
THREE PLACE DECIMAL: ± 0.005

		THIRD ANGLE PROJECTION
MATERIAL: N/A		
APPROVALS		DATE
DRAWN BY	ER	2/24/2021
CHECKED BY	SR	20/24/2021

PDI
1 804 737 9880

THIS DRAWING CONTAINS CONFIDENTIAL & PROPRIETARY INFORMATION AND SHALL NOT BE DISCLOSED OR COPIED WITHOUT THE EXPRESSED WRITTEN PERMISSION OF POWER DISTRIBUTION, INC.

DESCRIPTION:
SSS,2S,208V,600A,65K,225KVA

SIZE B	DWG. NO. SSS73246	REV A
SCALE: NTS		SHEET 1 OF 1