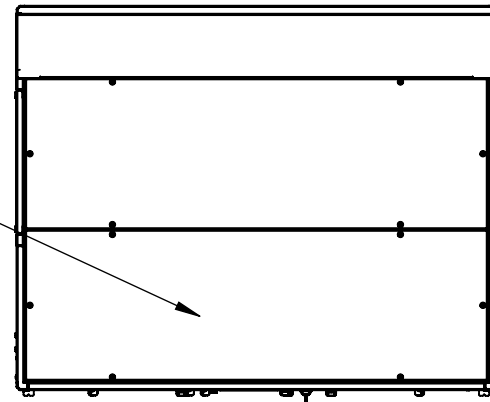


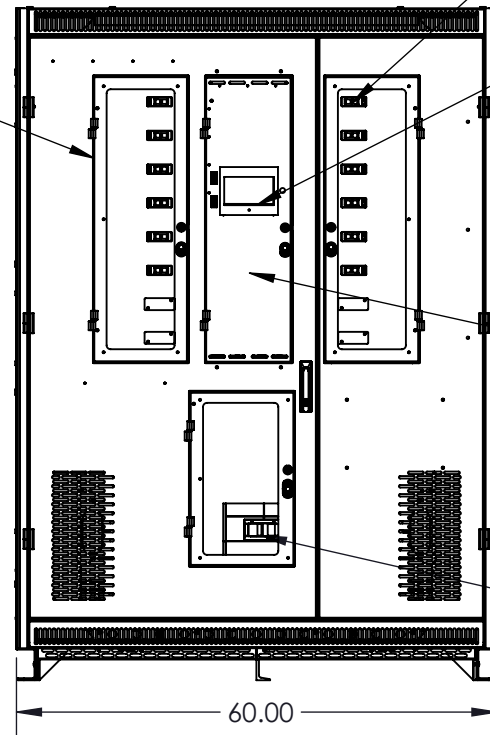
REVISIONS				
REV.	ECN #	DESCRIPTION	DATE	APPROVED
X0		SUBMITTAL RELEASE	10/22/19	AD

CONDUIT AREA



**TOP VIEW**

3 FUSE PANEL BEHIND DOOR



**FRONT VIEW**

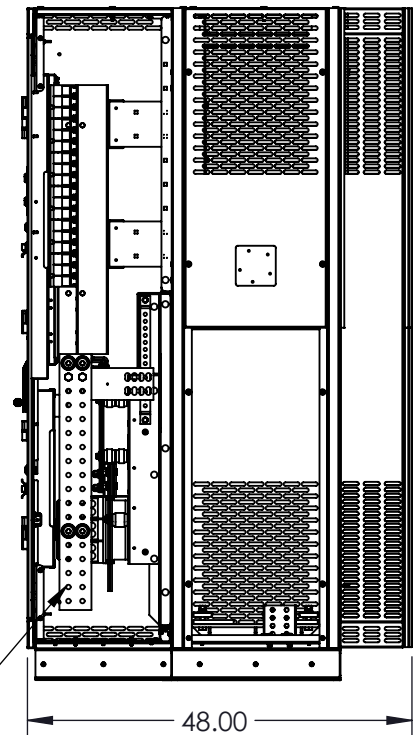
3 J-FRAME CB 12X225A OUTPUT

3 DISPLAY: -WAVESTAR HMI COLOR

3 CONTROL CHASSIS: -M4G -CONTRACTOR BOARD ENHANCED -BCMS

3 MAIN INPUT

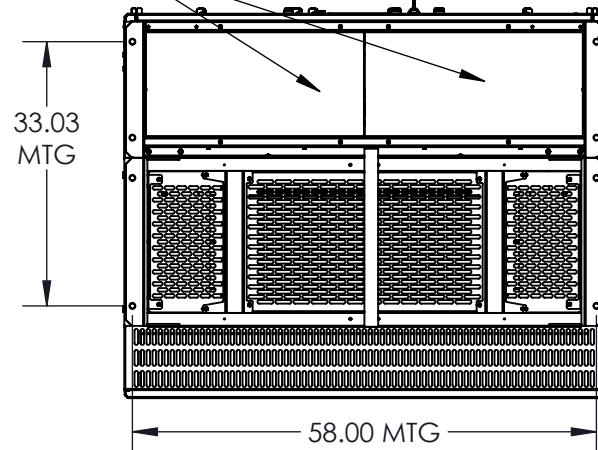
200% NEUTRAL BUSBAR (RH & LH)



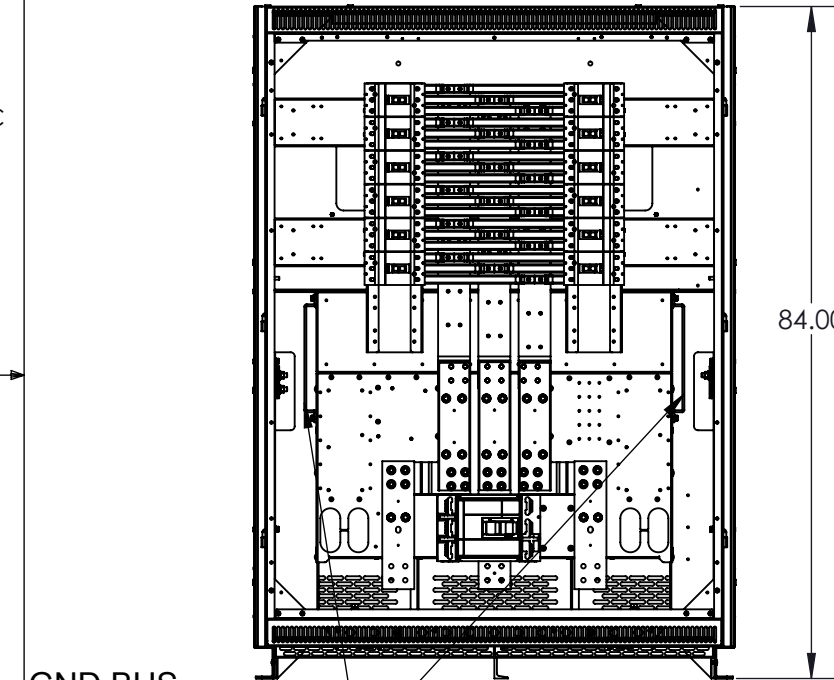
**SIDE VIEW  
PANELS REMOVED**

CONDUIT AREA

4X Ø.63 MTG HOLES



**BOTTOM VIEW**



**FRONT VIEW  
NO DOORS**

GND BUS SINGLE HOLE OR DOUBLE HOLE

84.00

60.00

5

36.00

4

6.00

48.00

- 7 RECOMMENDED INPUT CABLE SIZE: (3) 300MCM CU PER PHASE
- 6 APPROXIMATE WEIGHT: 6500 LBS
- 5 MINIMUM CLEARANCE FOR DOORS.
- 4 MINIMUM VENTILATION CLEARANCE FOR REAR AND ONE SIDE OF UNIT.
- 3 ALL OPERATOR CONTROLS ARE FRONT ACCESS WITHOUT EXPOSURE TO LIVE PARTS.
- 2 ALL ROUTINE MAINTENANCE IS FRONT AND SIDE ACCESS.
- 1 DIMENSIONS IN [ ] ARE MILLIMETER.

NOTES: UNLESS OTHERWISE SPECIFIED:

		THIRD ANGLE PROJECTION				THIS DRAWING CONTAINS CONFIDENTIAL & PROPRIETARY INFORMATION AND SHALL NOT BE DISCLOSED OR COPIED WITHOUT THE EXPRESSED WRITTEN PERMISSION OF POWER DISTRIBUTION, INC.	
MATERIAL: N/A				DESCRIPTION: PDU 625KVA 1X900A 12X225A			
APPROVALS		DATE		SIZE B		DWG. NO. 11300115SUB	
DRAWN BY AD		10/22/2019		REV X0			
CHECKED BY KN		10/22/2019		SCALE:		SHEET 1 OF 1	
APPROVED BY MW		10/22/2019					